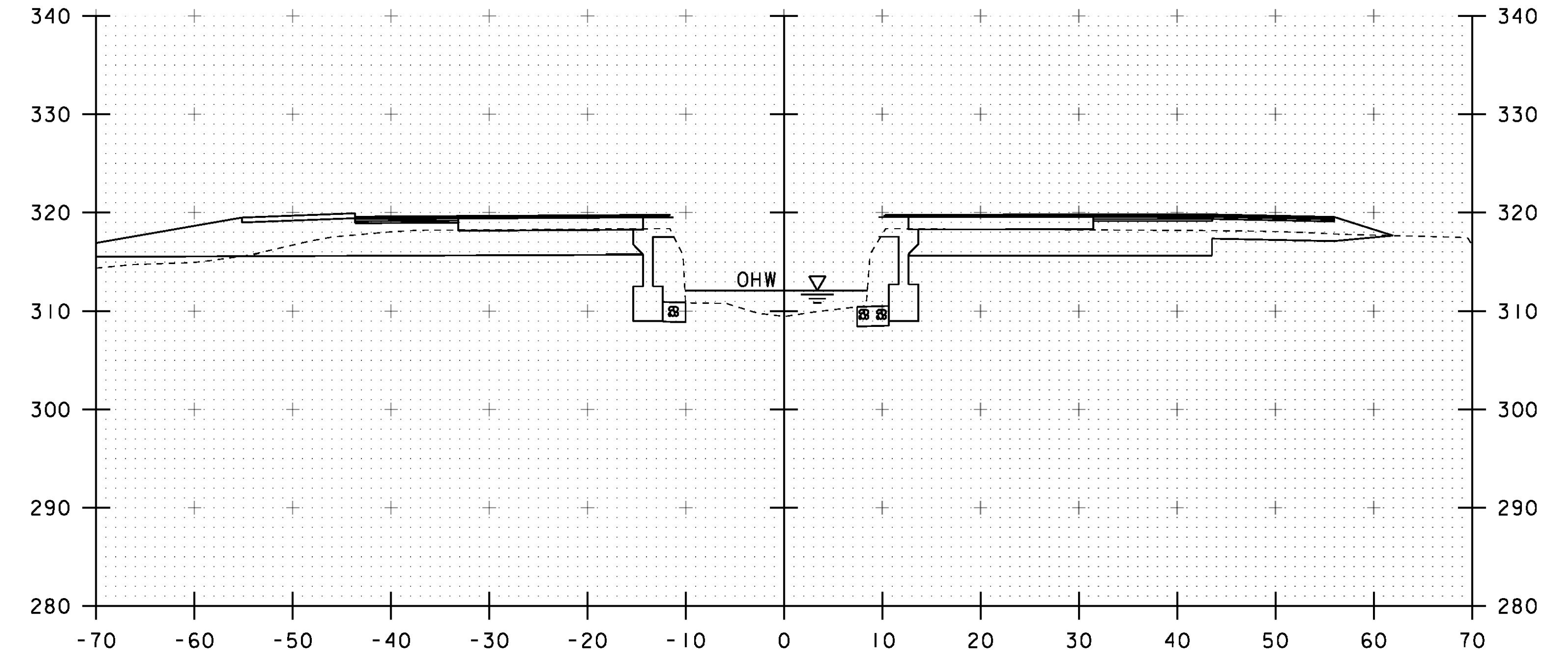
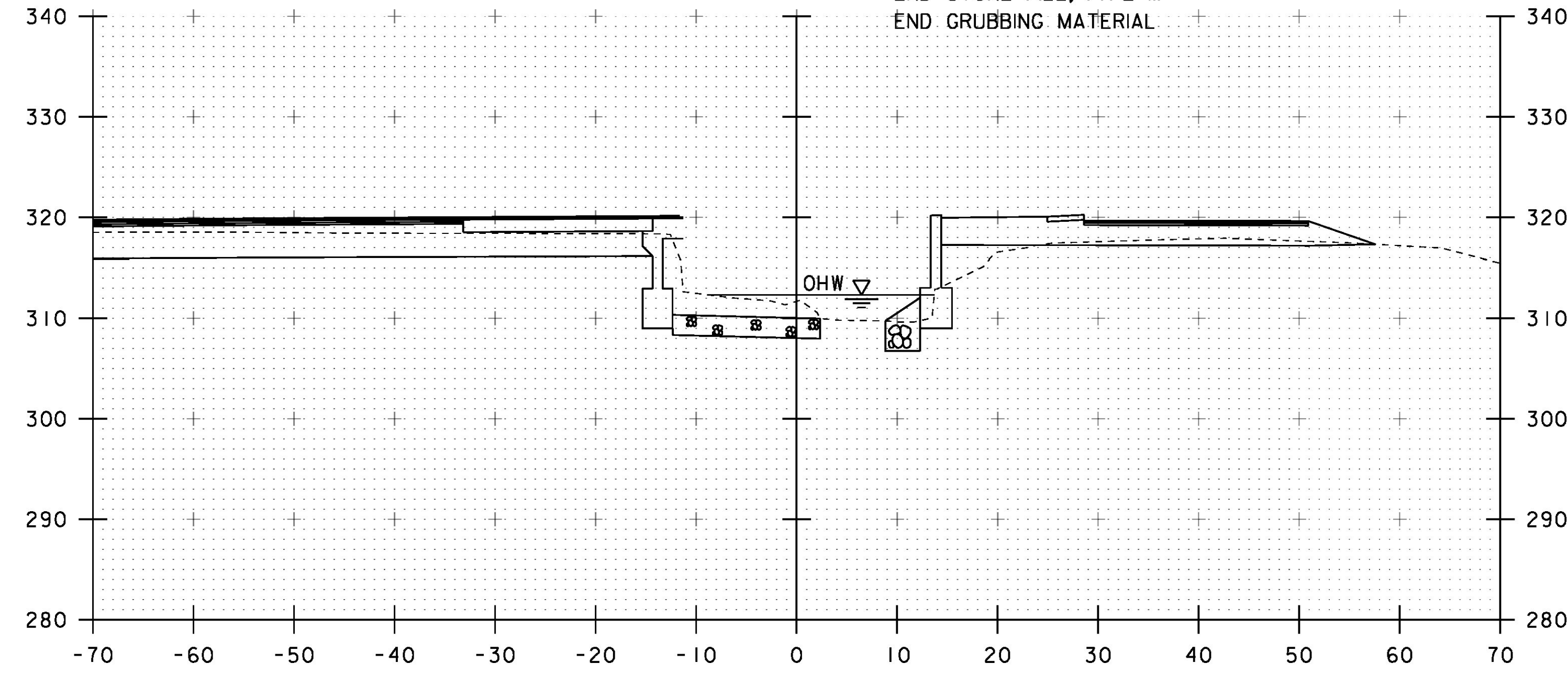


STA 50+80.00 RT
 BEGIN SPECIAL PROVISION (STONE FILL,
 STREAM BED MATERIAL)(TYPE II)

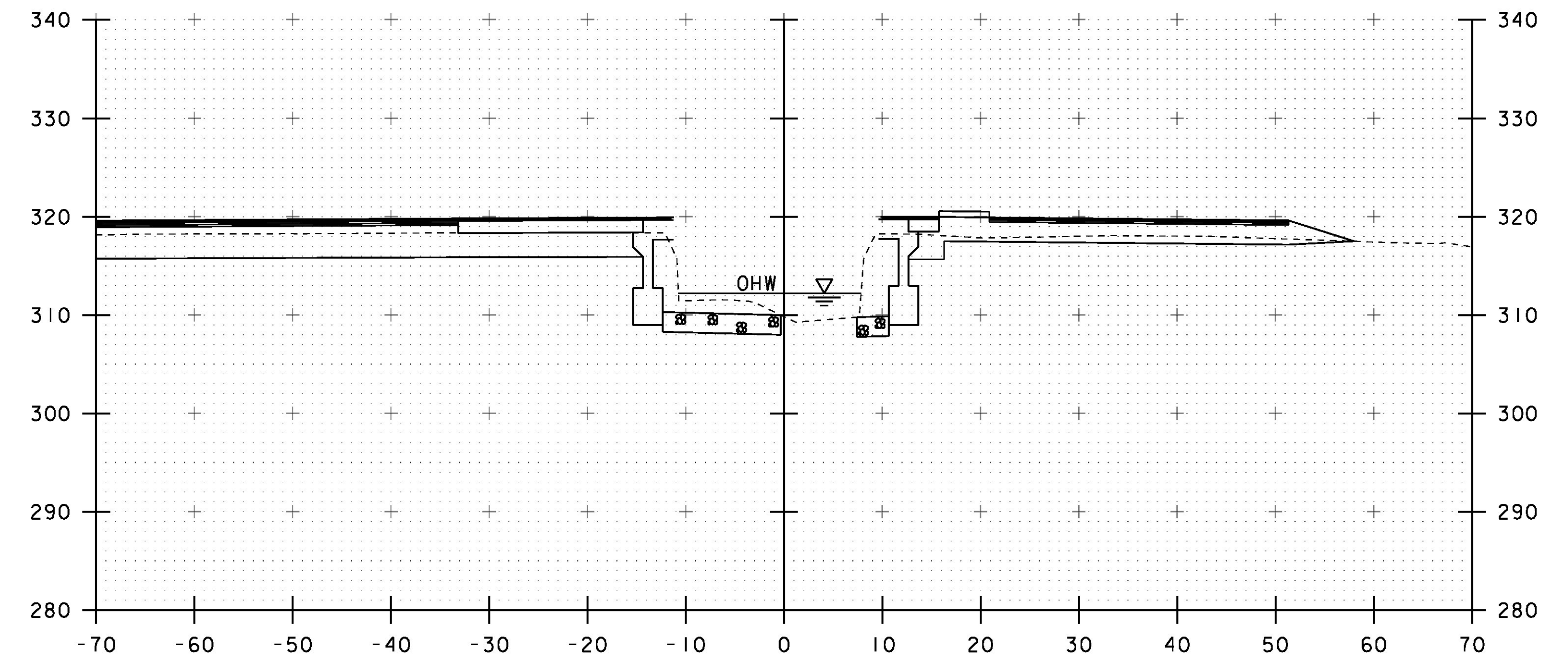
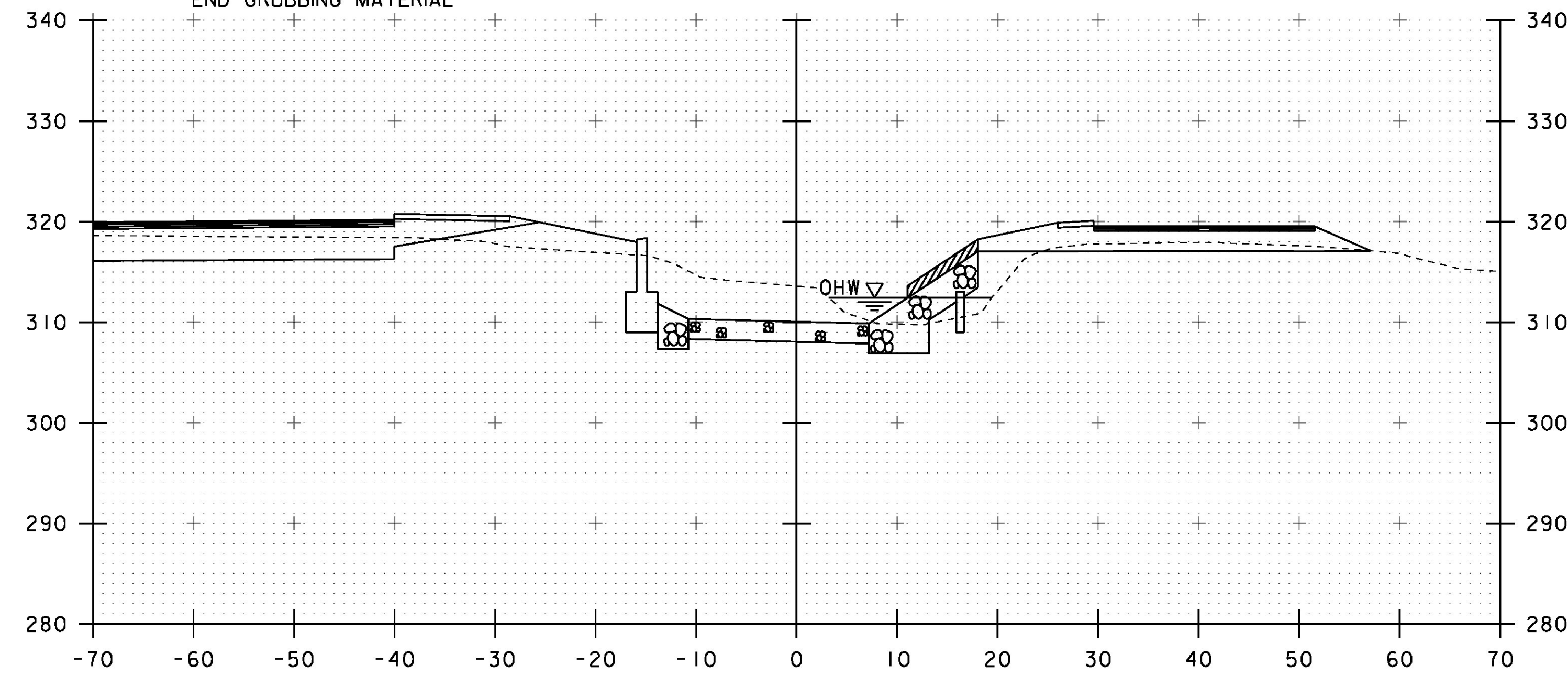
STA 50+84.66 RT
 END STONE FILL, TYPE III
 END GRUBBING MATERIAL



50+80

51+00

STA 50+74.77 LT
 END STONE FILL, TYPE III
 END GRUBBING MATERIAL



50+70

50+90

STA. 50+70 TO STA. 51+00

PROJECT NAME: RICHMOND	PLOT DATE: 13-SEP-2016
PROJECT NUMBER: BF 0284(28)	DRAWN BY: S. COLEY
FILE NAME: s13c070xs.dgn	DESIGNED BY: S. COLEY
PROJECT LEADER: R. YOUNG	CHECKED BY: W. LAMMER
CHANNEL CROSS SECTIONS 2	SHEET 43 OF 54