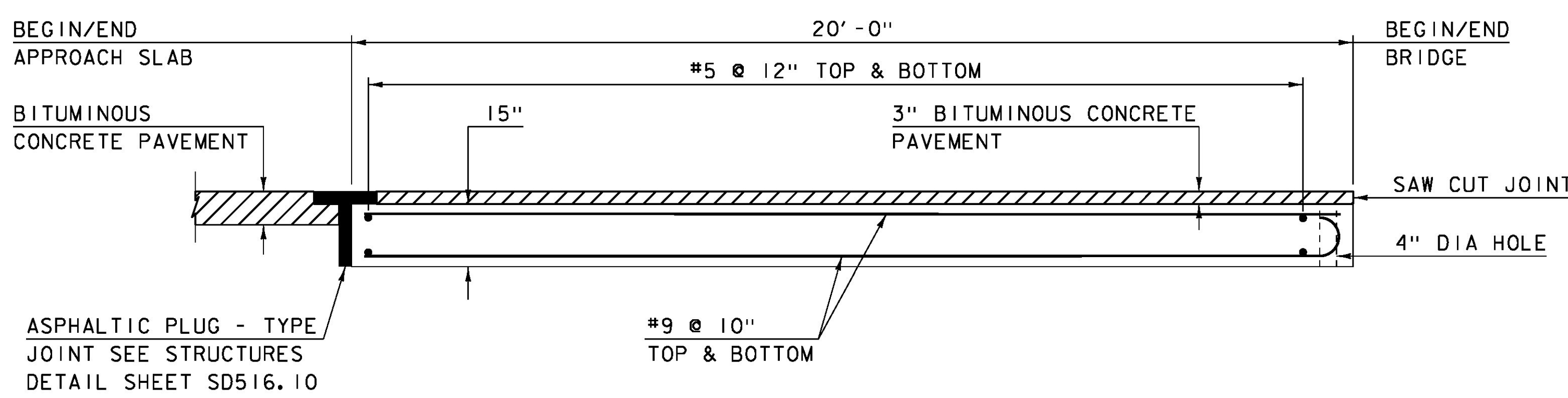


APPROACH SLAB #1 PLAN VIEW

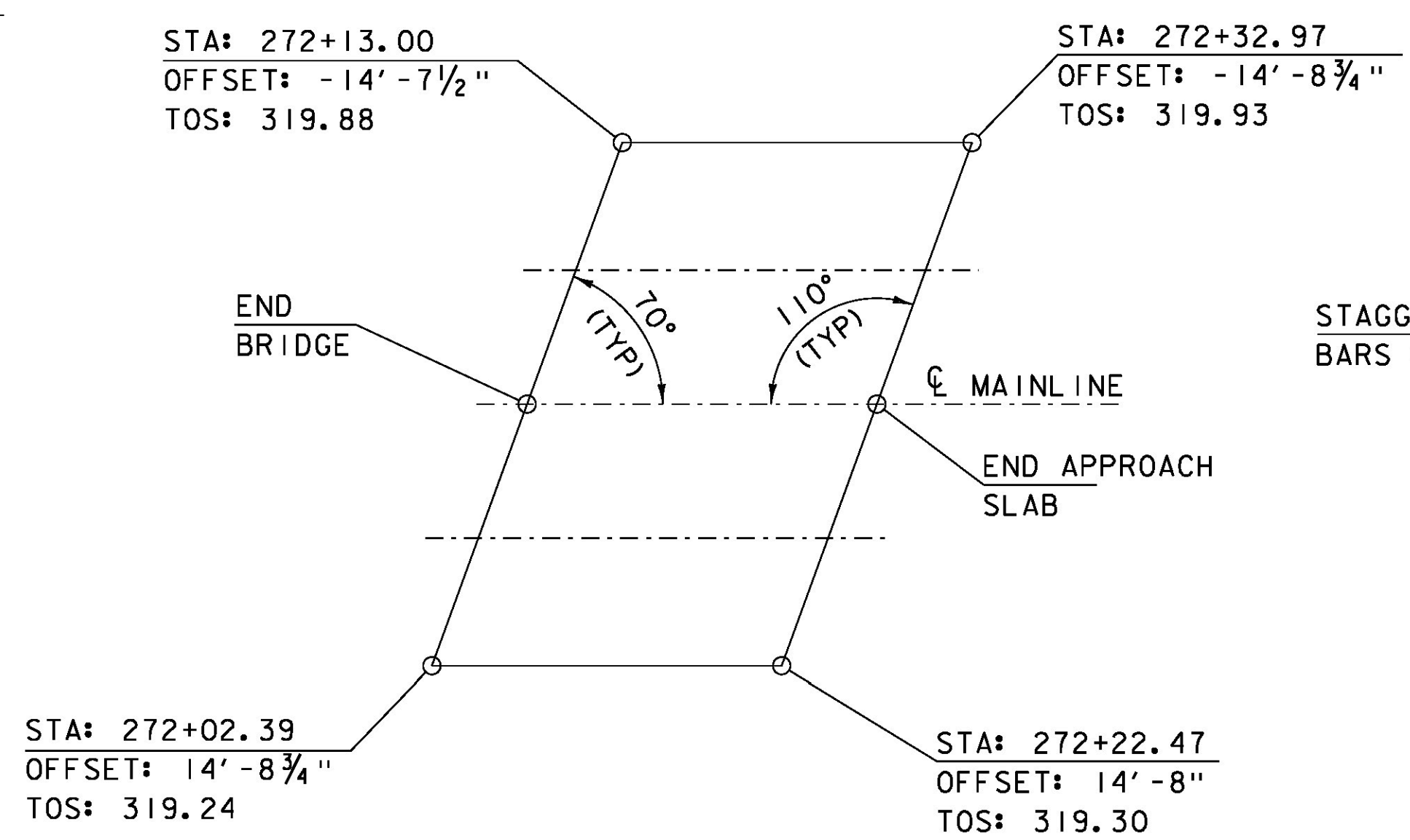
SCALE 1/4" = 1'-0"

- *NOTES:
- LIFTING POINTS SHALL BE DESIGNED BY FABRICATOR AND SUBMITTED WITH CALCULATIONS
 - REINFORCING STEEL FOR APPROACH SLAB #1 SHOWN, APPROACH SLAB #2 SIMILAR.



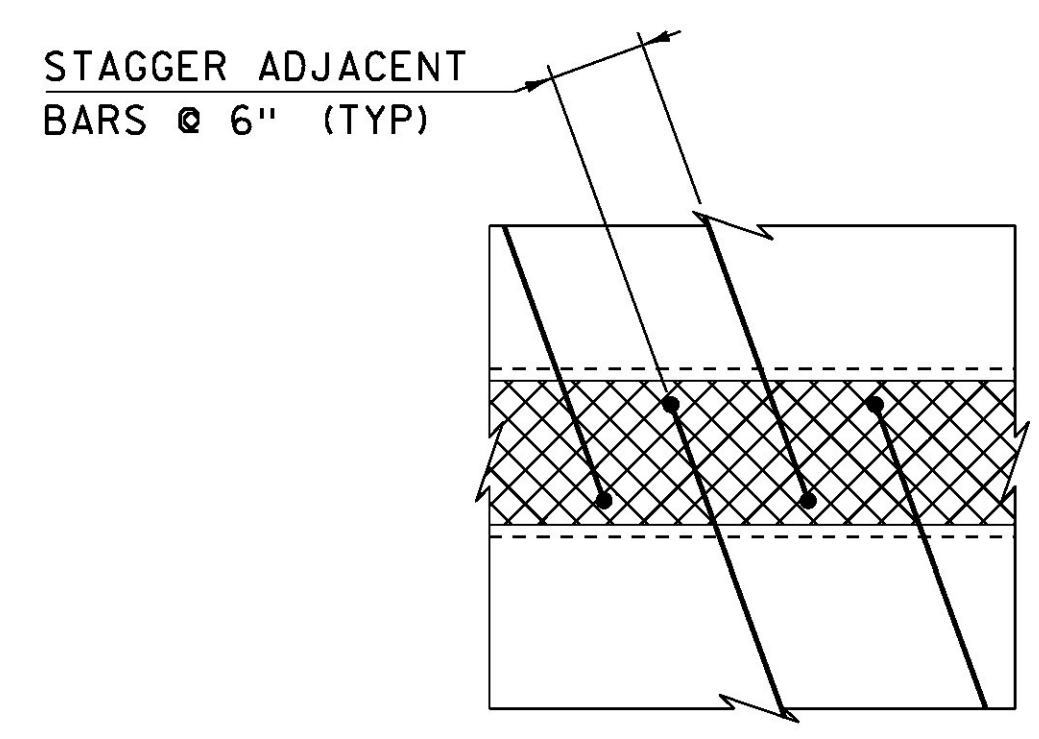
APPROACH SLAB ELEVATION VIEW

SCALE 1/2" = 1'-0"



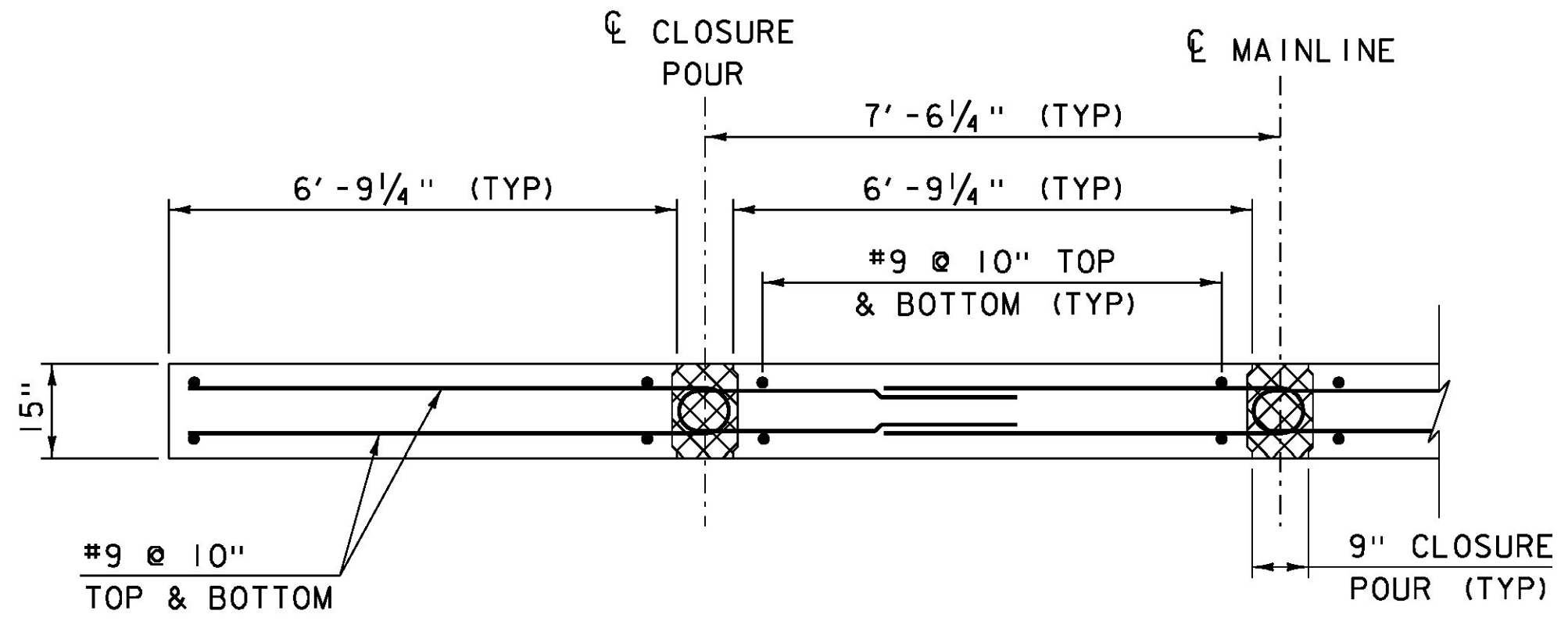
APPROACH SLAB #2 PLAN VIEW

NOT TO SCALE



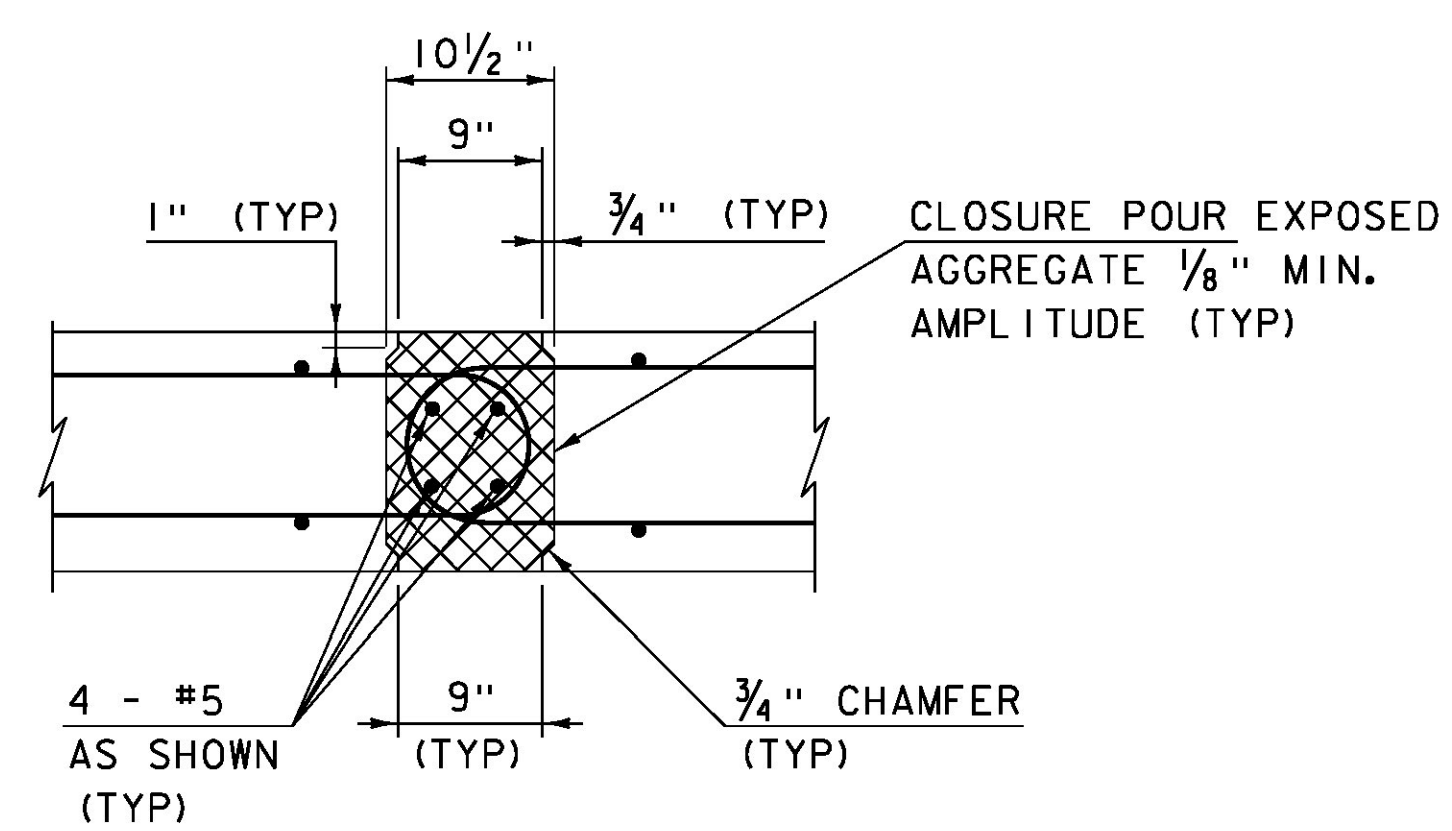
CONNECTION DETAIL PLAN

SCALE 1" = 1'-0"



SECTION A-A

SCALE 1/2" = 1'-0"



CONNECTION DETAIL SECTION

SCALE 1" = 1'-0"

- *NOTES:
- NF = NEAR FACE
 - FF = FAR FACE
 - EF = EACH FACE
 - 3" CLEAR, UNLESS OTHERWISE SPECIFIED ON THE PLANS.
 - 2'-7" BAR LAP UNLESS OTHERWISE SPECIFIED ON THE PLANS.
 - SPECIAL PROVISION (HIGH PERFORMANCE CONCRETE, RAPID SET)
 - REINFORCING IN THE CLOSURE POUR WILL BE PAID UNDER ITEM 507.11
 - REINFORCING STEEL, LEVEL 1 (FPQ)

PROJECT NAME:	RICHMOND
PROJECT NUMBER:	BF 0284(28)
FILE NAME:	sl3c070approach.dgn
PROJECT LEADER:	R. YOUNG
DESIGNED BY:	S. COLEY
APPROACH SLAB DETAILS	
PLOT DATE:	13-SEP-2016
DRAWN BY:	S. COLEY
CHECKED BY:	W. LAMMER
SHEET	30 OF 54