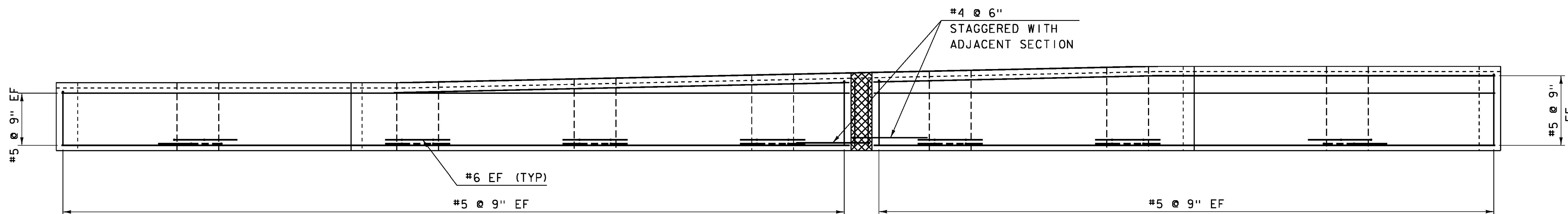


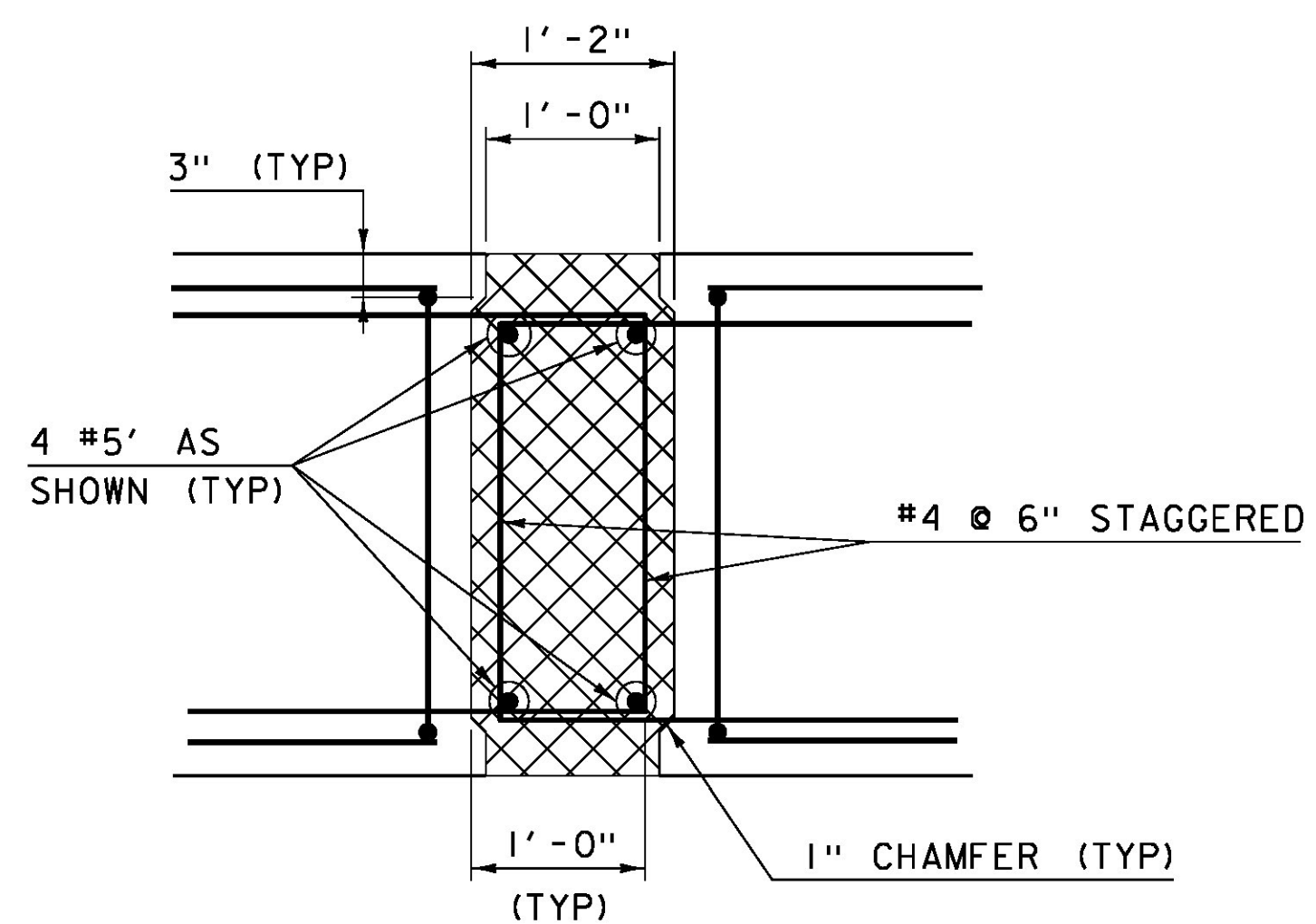
PILE CAP I PLAN

SCALE $\frac{3}{8}$ " = 1'-0"



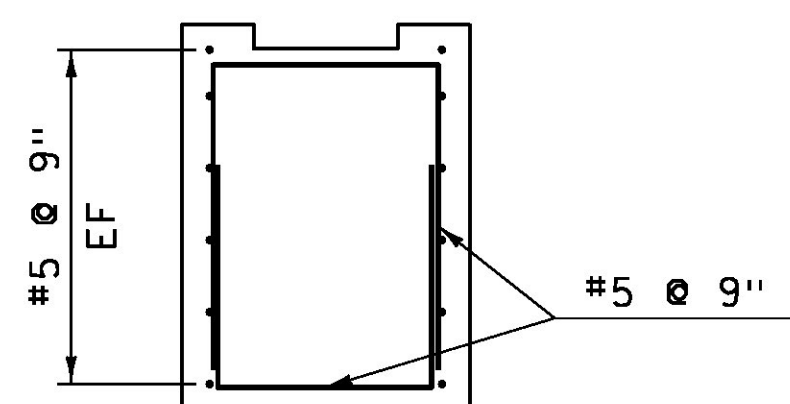
PILE CAP I ELEVATION

SCALE $\frac{3}{8}$ " = 1'-0"



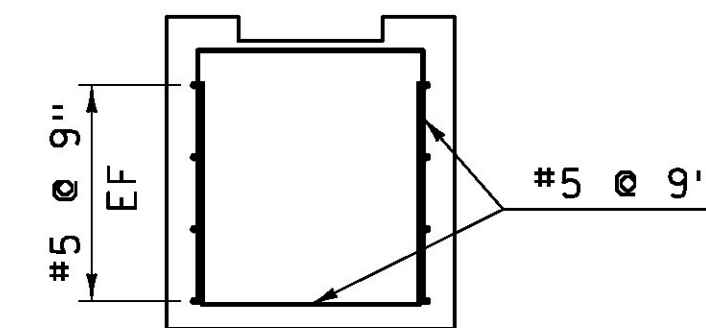
CLOSURE POUR DETAIL SECTION

SCALE 1" = 1'-0"



SECTION A-A

SCALE $\frac{1}{2}$ " = 1'-0"



SECTION B-B

SCALE $\frac{1}{2}$ " = 1'-0"

NOTES:
PILE CAP 1 SHOWN, PILE CAP 2 SIMILAR

REINFORCING IN THE CLOSURE POUR WILL BE PAID UNDER ITEM 507. 11 REINFORCING STEEL, LEVEL 1 (FPQ)

 SPECIAL PROVISION (HIGH PERFORMANCE CONCRETE, RAPID SET)

NOTE:
NF = NEAR FACE
FF = FAR FACE
EF = EACH FACE
3" CLEAR UNLESS OTHERWISE SPECIFIED ON THE PLANS
2'-2" BAR LAP UNLESS OTHERWISE SPECIFIED ON THE PLANS

PROJECT NAME: RICHMOND
PROJECT NUMBER: BF 0284(28)

FILE NAME: si3c070sub.dgn
PROJECT LEADER: R. YOUNG
DESIGNED BY: S. COLEY
PILE CAP REINFORCING PLAN

PLOT DATE: 13-SEP-2016
DRAWN BY: S. COLEY
CHECKED BY: W. LAMMER
SHEET 28 OF 54