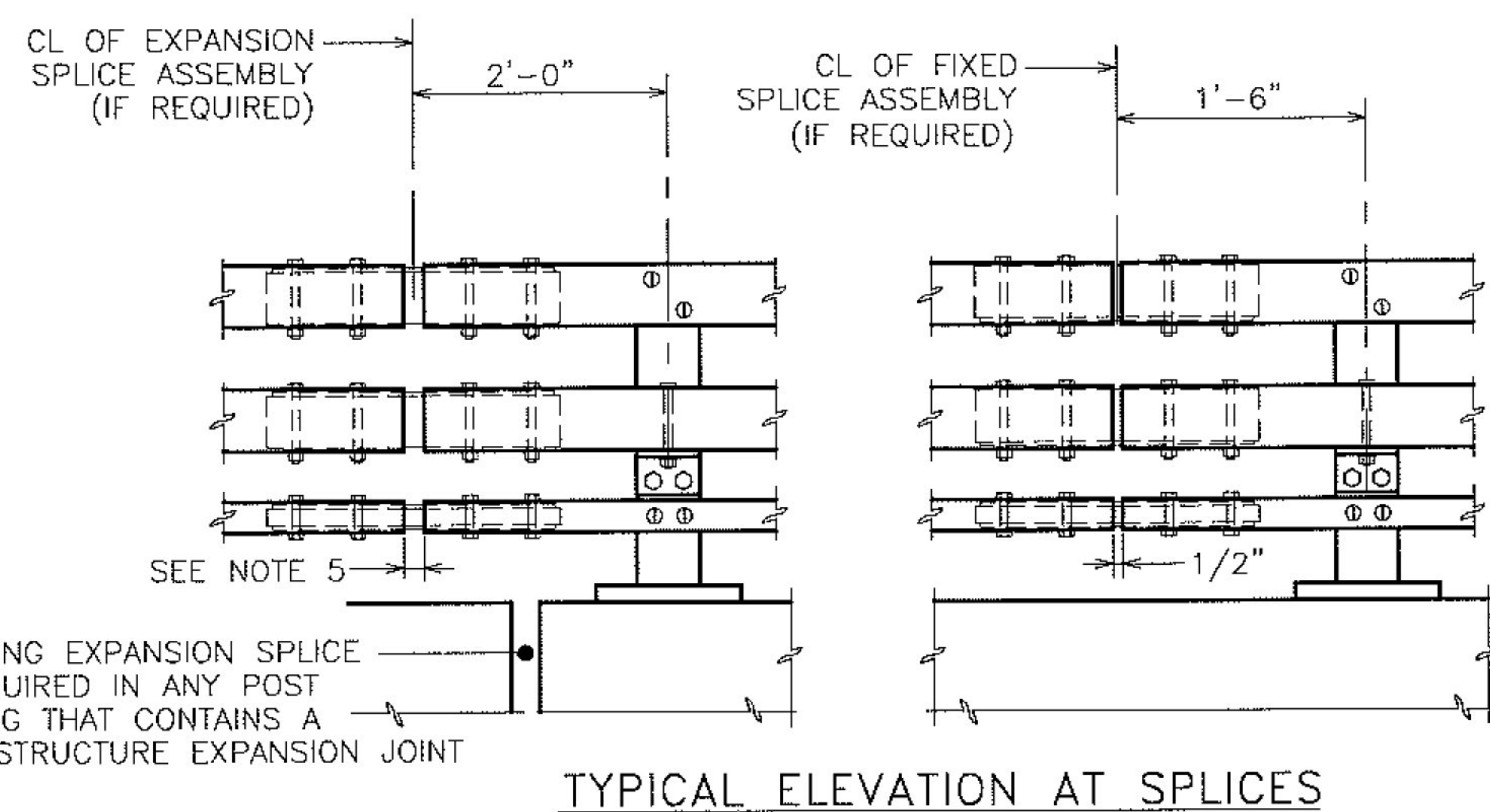
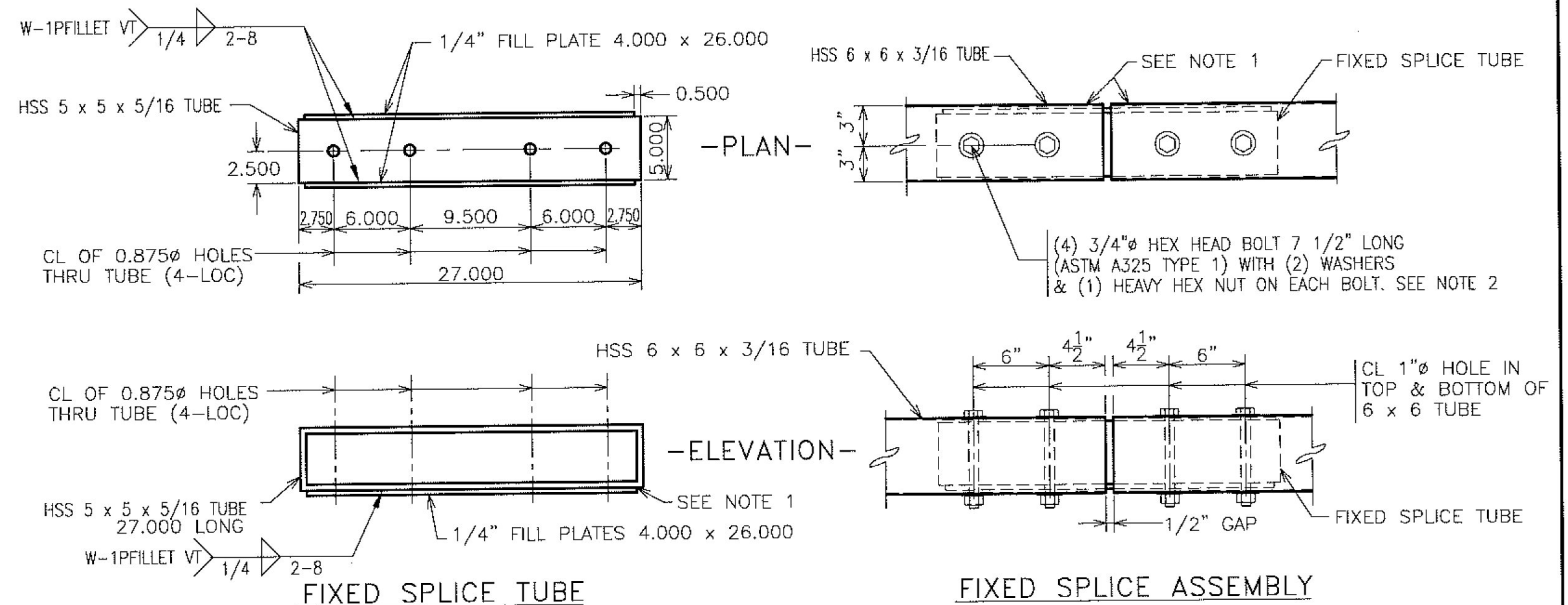
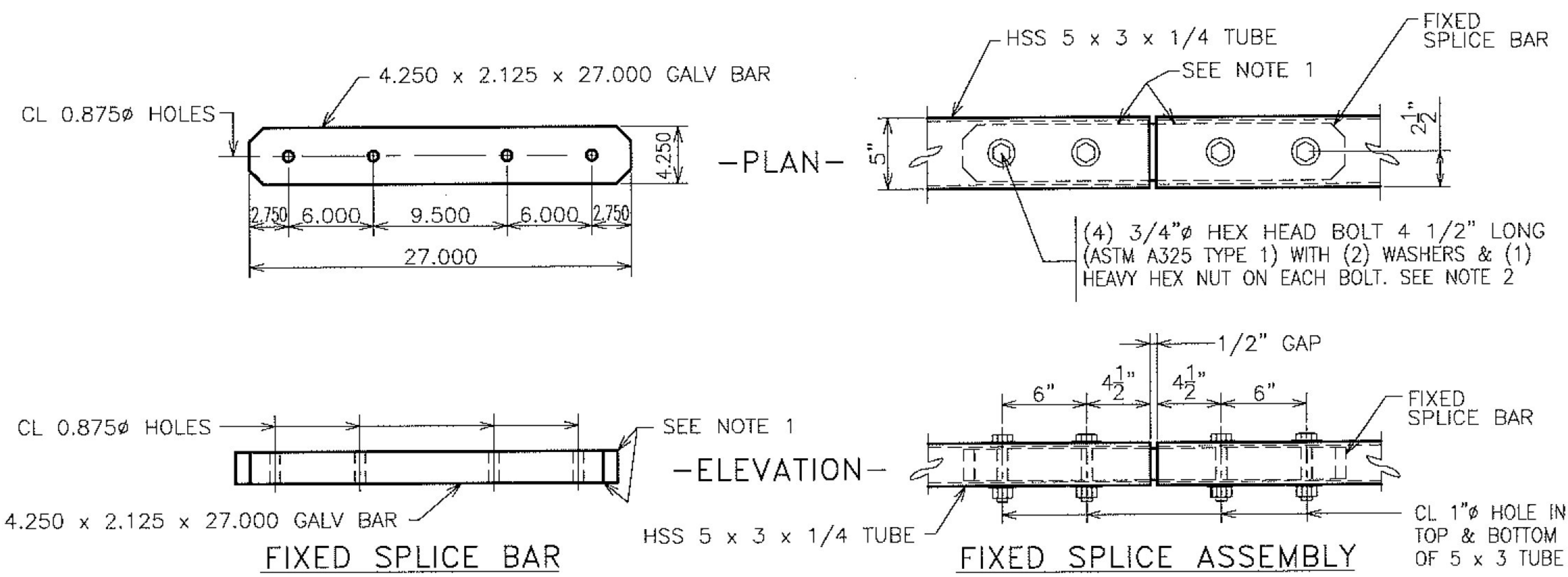


↑ ↓ SPLICE DETAILS FOR 5" x 3" TUBES

↑ ↓ SPLICE DETAILS FOR 6" x 6" TUBES



NOTES:

1. PROTRUSIONS CAUSED BY WELDING OR GALVANIZING ARE NOT PERMITTED ON THE ADJOINING SURFACES OF THE BOX BEAM RAILS, SPLICE TUBES OR FILL PLATES.
2. NUT TO BE FINGER TIGHT AND FIRST THREAD BELOW NUT SHALL BE BURRED TO PREVENT DISLODGING. FOUR (4) BOLTS AT EACH SPLICE.

| | | | |
|---|---------|---|-------------------|
| Vermont Agency of Transportation <div style="font-size: 2em; font-weight: bold; color: green;">RECEIVED</div> | | HIGHWAY SAFETY CORP GLASTONBURY, CT 860-633-9445 | |
| CK'D BY G. ROY OK'D BY S. FAGAN | | February 17, 2017 | |
| RESUBMIT NO BY C. CARLSON | | Approved DATE 02/24/2017 | |
| GENERAL CONTRACTOR | | HSC JOB NO. 2155 | |
| SUB CONTRACTOR | | SHEET NO. 4 of 6 | |
| DRAWN PAR | CHECKED | DATE 01-24-17 | SCALE NONE |
| SIZE D | | | |