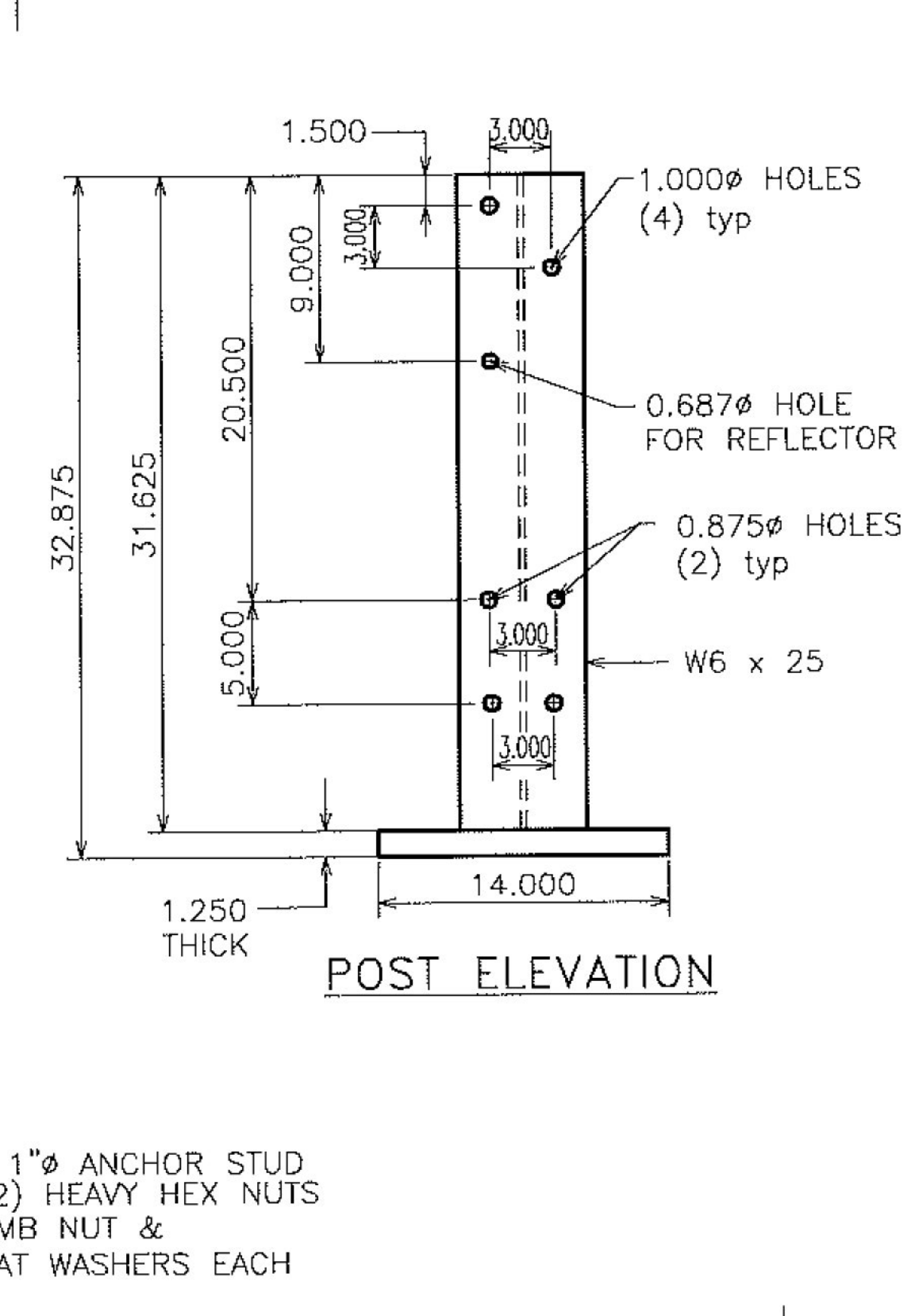


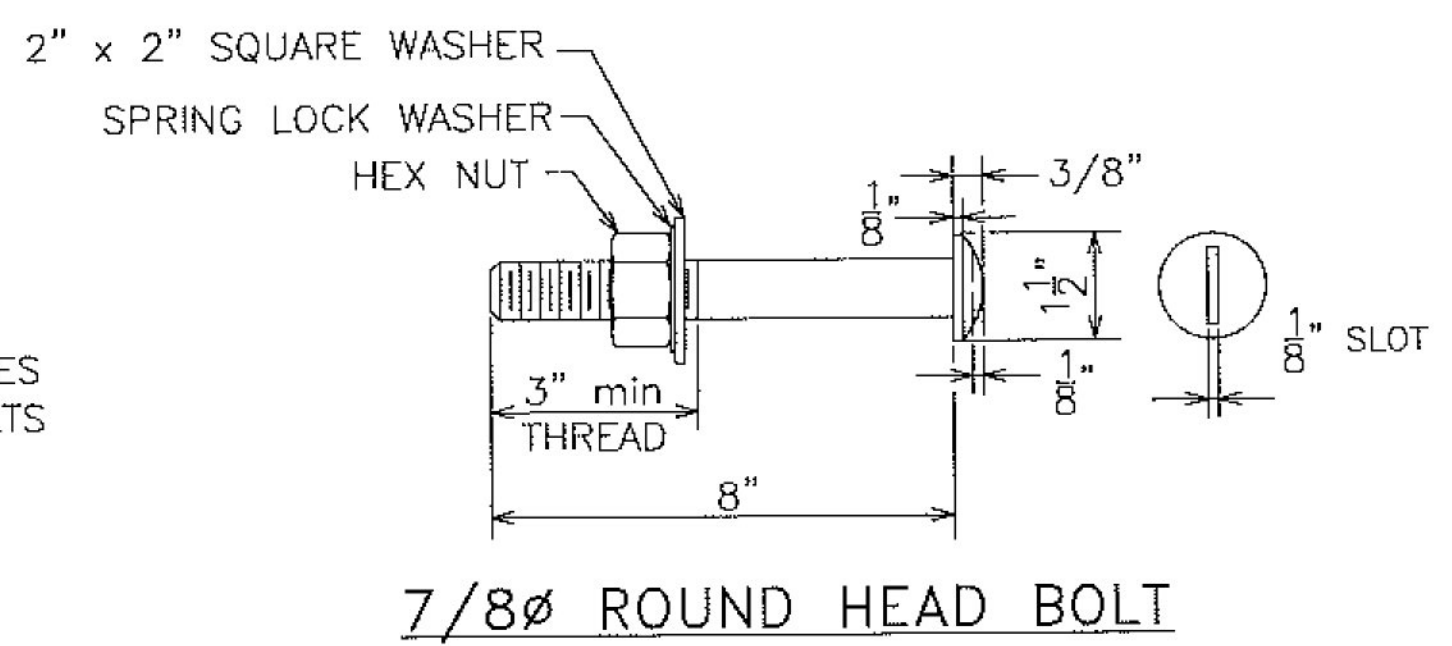
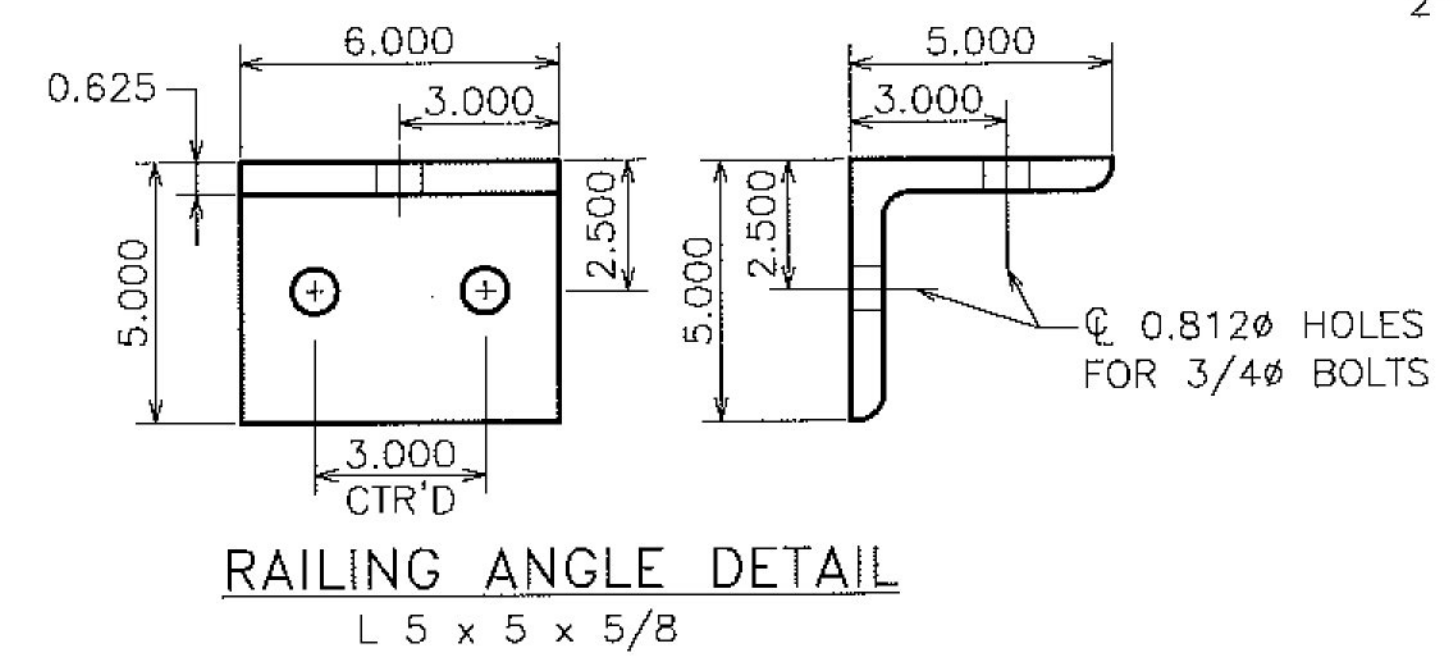
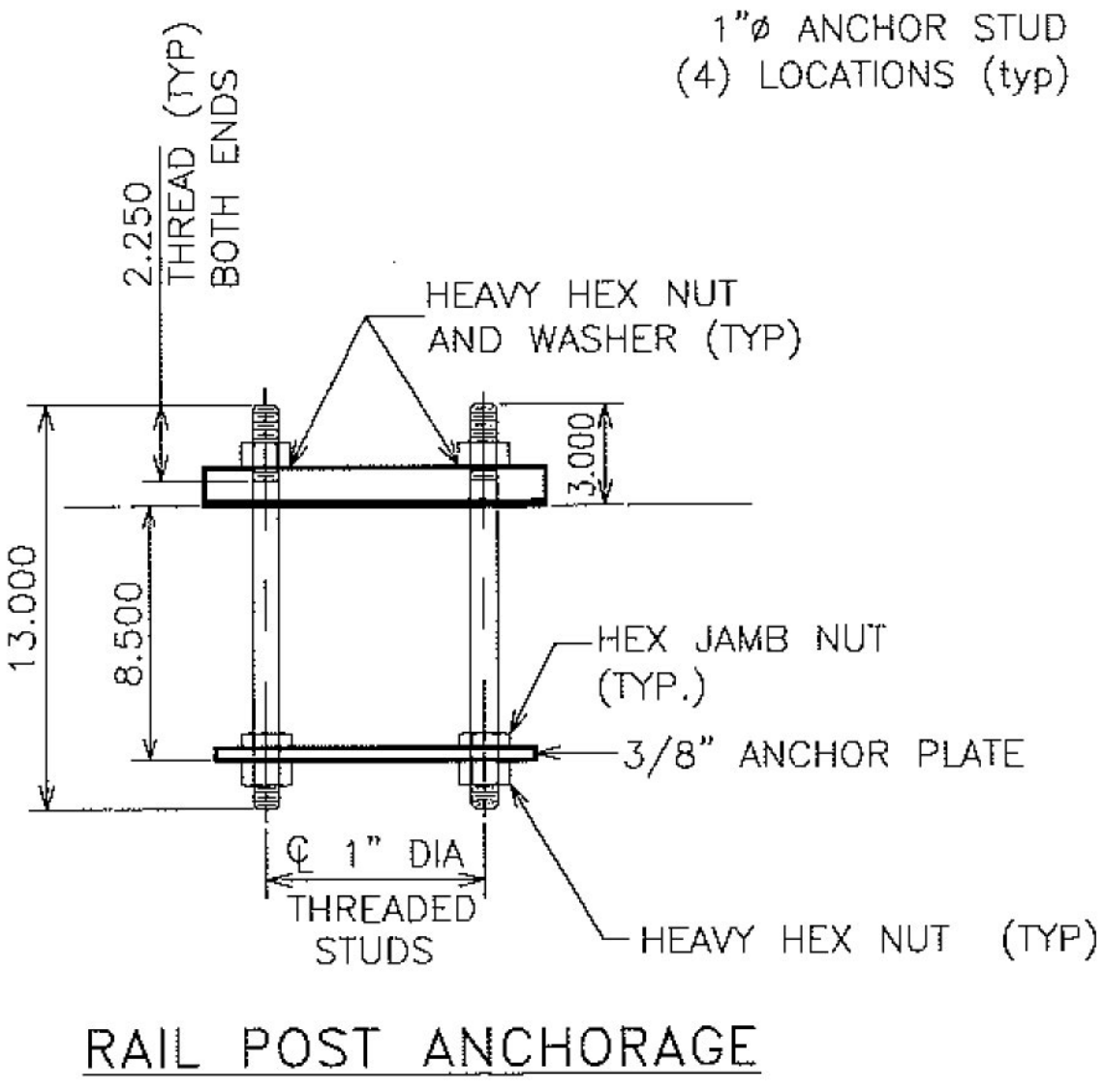
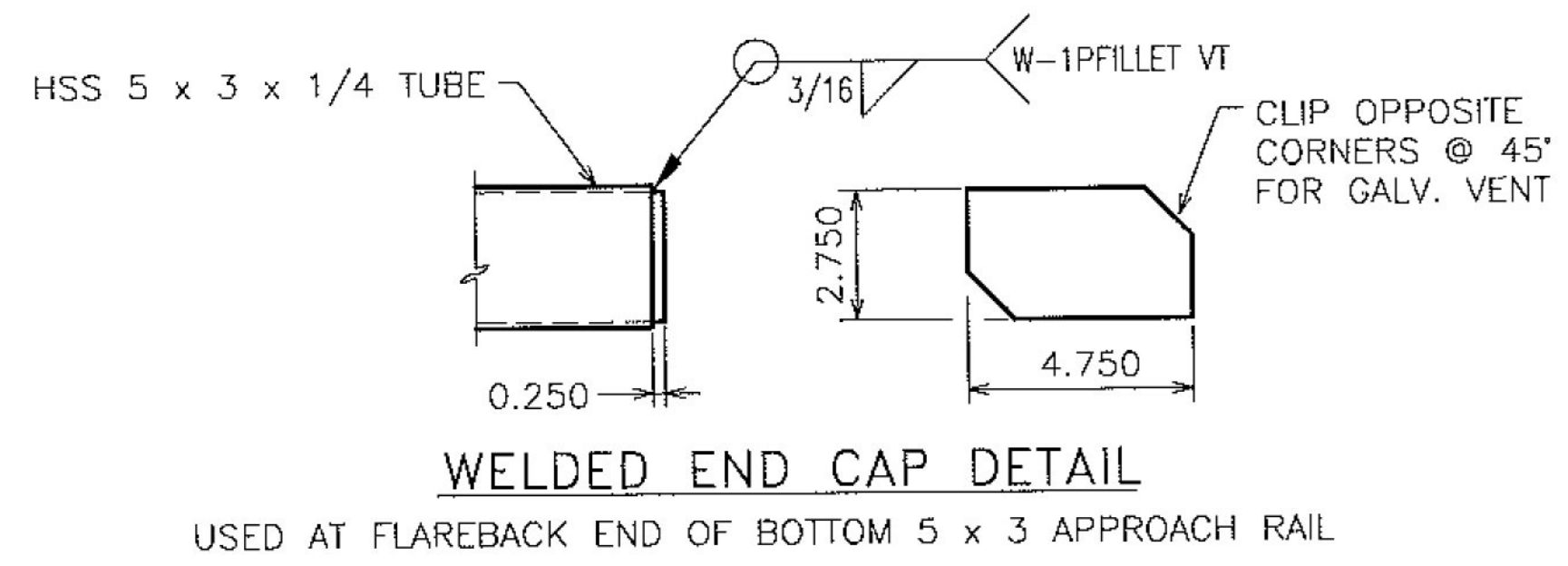
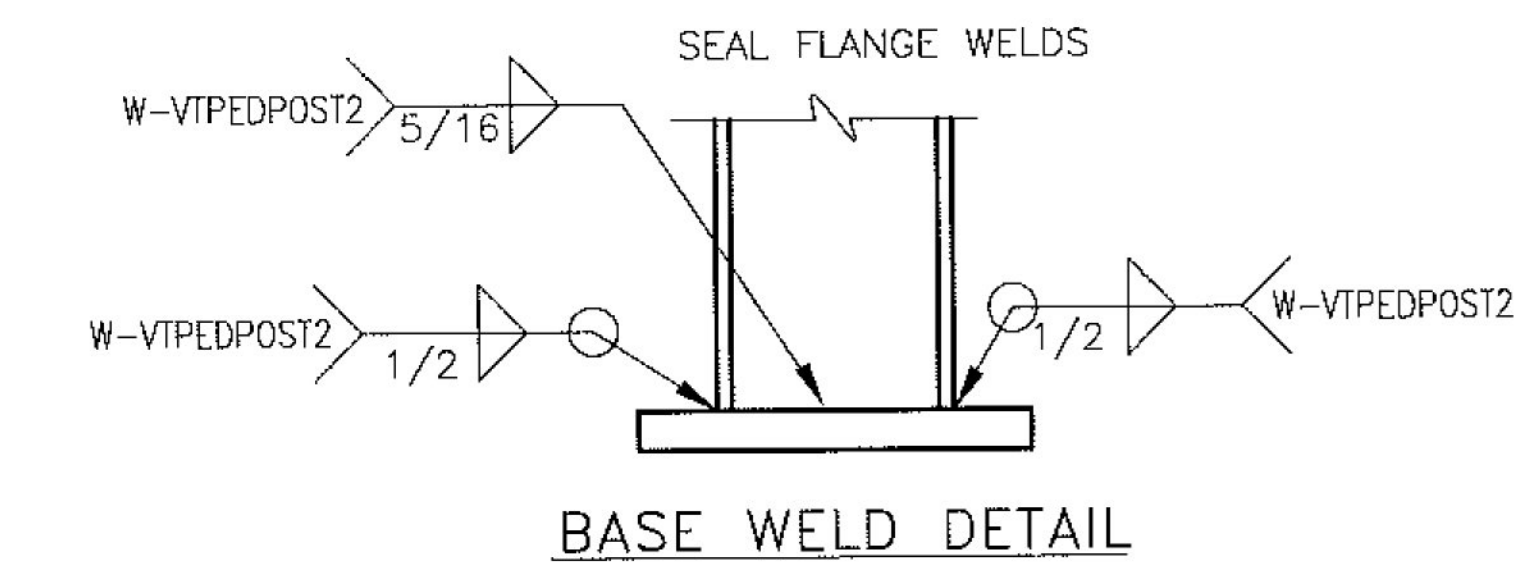
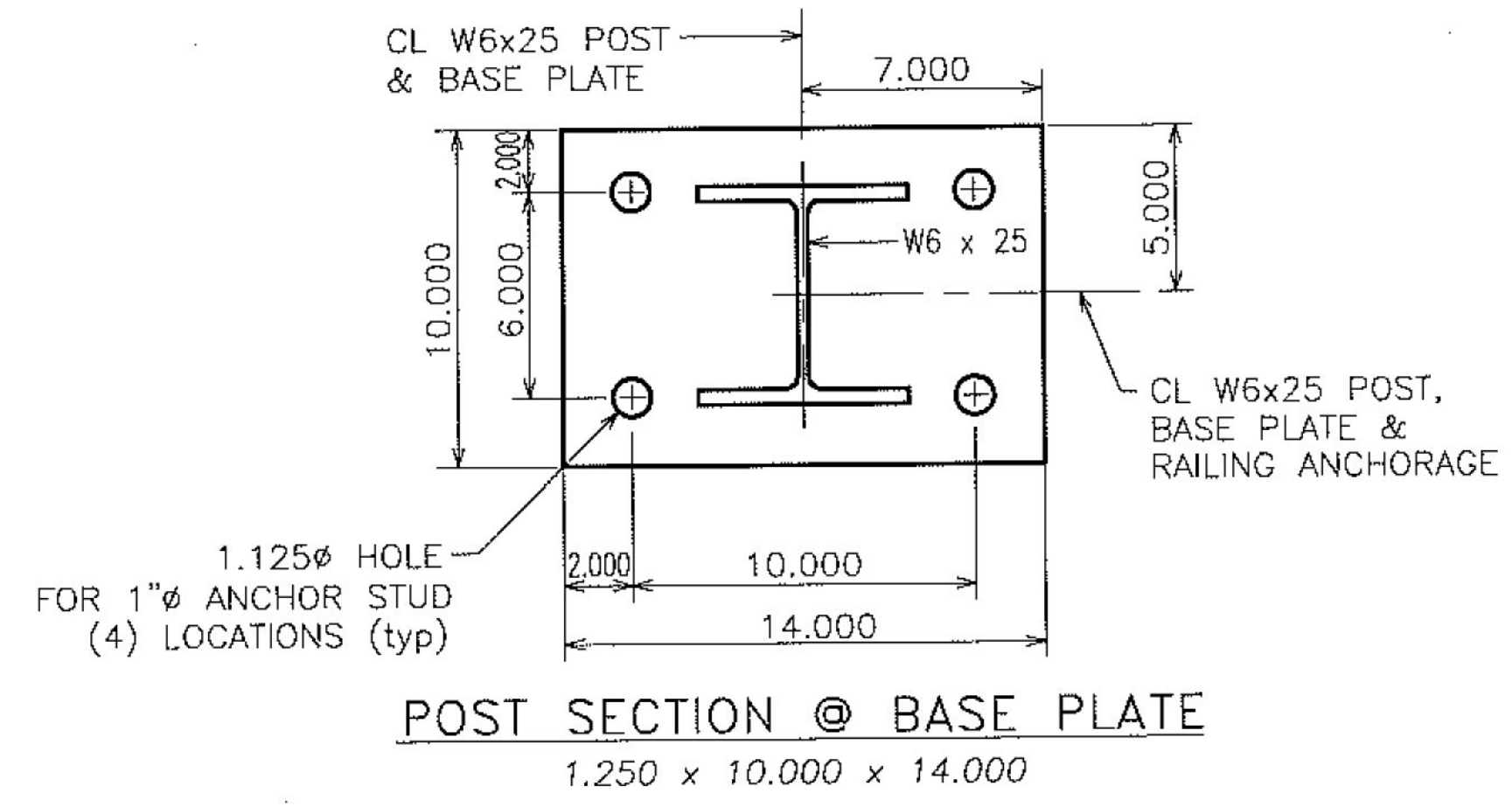
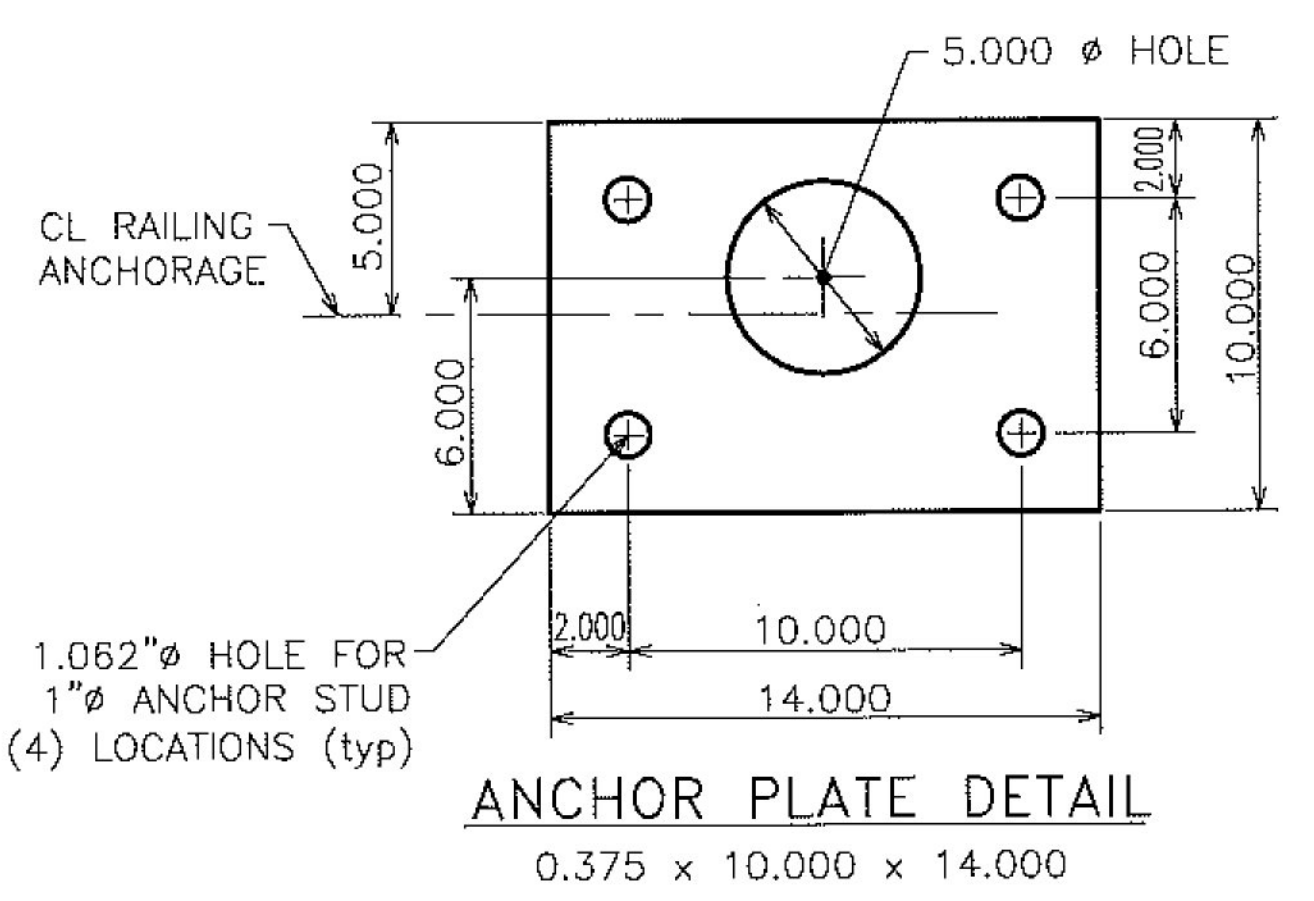
CL OF 1"Ø HOLES (FIELD DRILL) FOR 7/8" GALV ROUND HEAD BOLTS w/ HEX NUT, SQ WASHER & SPRING LOCK WASHER (TYP)



NOTES:

1. ALL WORK AND MATERIALS SHALL CONFORM TO SECTION 525.
2. PRIOR TO GALVANIZING, ALL EXPOSED CUT OR SHEARED EDGES SHALL BE ROUNDED TO A 1/16" RADIUS.
3. ALL POSTS SHALL BE SET NORMAL TO GRADE. THE MAXIMUM CENTER TO CENTER SPACING OF BRIDGE RAIL POSTS IS 8'-3".
4. SECTIONS OF RAIL TUBE SHALL BE ATTACHED TO A MINIMUM OF TWO (2) RAIL POSTS AND PREFERABLY TO AT LEAST FOUR (4) POSTS.
5. RAIL TUBE EXPANSION JOINT SHALL BE PROVIDED IN ANY RAIL BAY SPANNING THE END OF AN INTEGRAL ABUTMENT BRIDGE AND AT ALL SUPERSTRUCTURE EXPANSION JOINTS. EXPANSION JOINT WIDTH SHALL BE 4" AT 68°F AND WILL BE ADJUSTED IN THE FIELD BY THE ENGINEER FOR OTHER TEMPERATURES.
6. HOLES IN RAILS FOR RAIL TUBE ATTACHMENT MAY BE FIELD-DRILLED. HOLES SHALL BE COATED WITH AN APPROVED ZINC-RICH PAINT PRIOR TO INSTALLATION.
7. BOLTS SHALL BE TORQUES SNUG-TIGHT (APPROXIMATELY 100 FT-LB).
8. SEE STANDARD G1-B FOR DETAILS OF DELINEATORS. A DELINEATOR SHALL BE INSTALLED AT 30 FT SPACING OR THE NEAREST POST. WHITE IS TO BE INSTALLED ON THE DRIVERS RIGHT. FOR ONE WAY BRIDGES, YELLOW IS TO BE INSTALLED ON THE DRIVERS LEFT. PAYMENT SHALL BE INCIDENTAL TO OTHER ITEMS.
9. ANY BENDING OR CURVING OF RAIL SHALL BE DONE IN A FABRICATION PLANT IN ACCORDANCE WITH SUBMITTED PROCEDURES.
10. THE MINIMUM DISTANCE FROM A POST TO AN EXPANSION JOINT SHALL BE DETERMINED BY THE MINIMUM EDGE DISTANCE OF 5" FROM ANY ANCHOR STUD TO THE END OF THE SLAB, OR TO THE EXPANSION JOINT RECESS POUR, IF ONE IS USED.
11. THIS RAILING MEETS THE REQUIREMENTS FOR A TL-4 SERVICE LEVEL.

STEEL BRIDGE RAILING (THREE-RAIL CURBLESS)



<p>Vermont Agency of Transportation</p> <p>RECEIVED</p> <p>CK'D BY G. ROY OK'D BY S. FAGAN</p> <p>February 17, 2017</p> <p>RESUBMIT NO Approved</p> <p>BY C. CARLSON DATE 02/24/2017</p>		<p>HIGHWAY SAFETY CORP</p> <p>GLASTONBURY, CT 860-633-9445</p>	
<p>ITEM 525.335 BRIDGE RAIL, GALVANIZED, 3 RAIL BOX BEAM</p> <p>ITEM 621.725 GUARDRAIL APPROACH, GALVANIZED, 3 RAIL BOX BEAM</p> <p>RT. VT 25B BRIDGE NO. 1 OVER WAITS RIVER</p> <p>TOWN OF BRADFORD ORANGE COUNTY, VT</p> <p>BF 0191 (29)</p>		<p>CERTIFIED FABRICATOR</p> <p>HSC JOB NO. 2155</p> <p>SHEET NO. 3 of 6</p>	
<p>GENERAL CONTRACTOR</p> <p>SUB CONTRACTOR VT REC.</p> <p>DRAWN PAR CHECKED DATE 01-24-17 SCALE NONE SIZE D</p>			