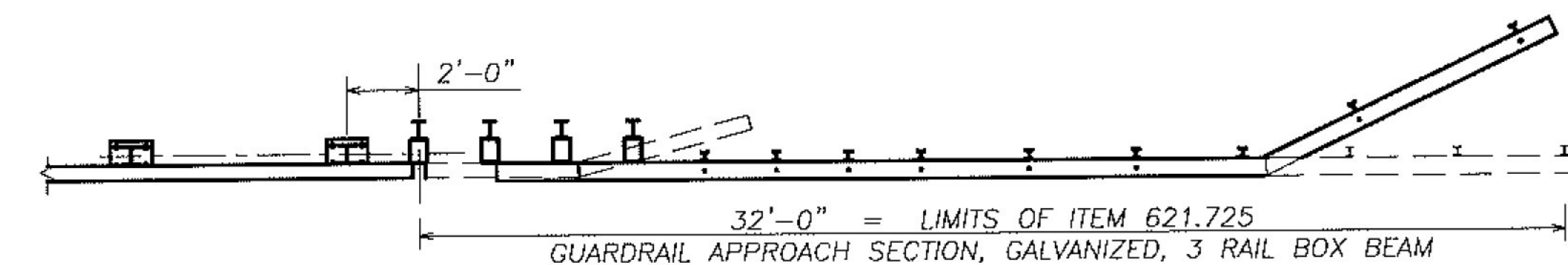
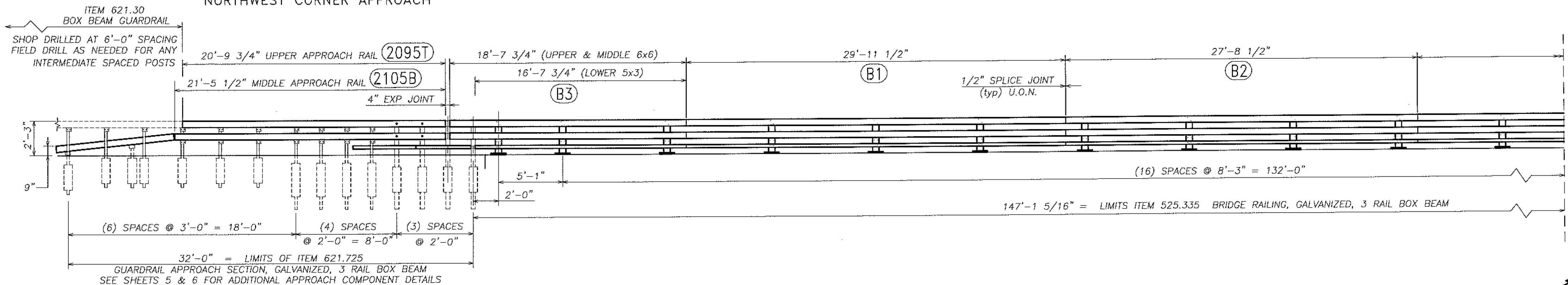
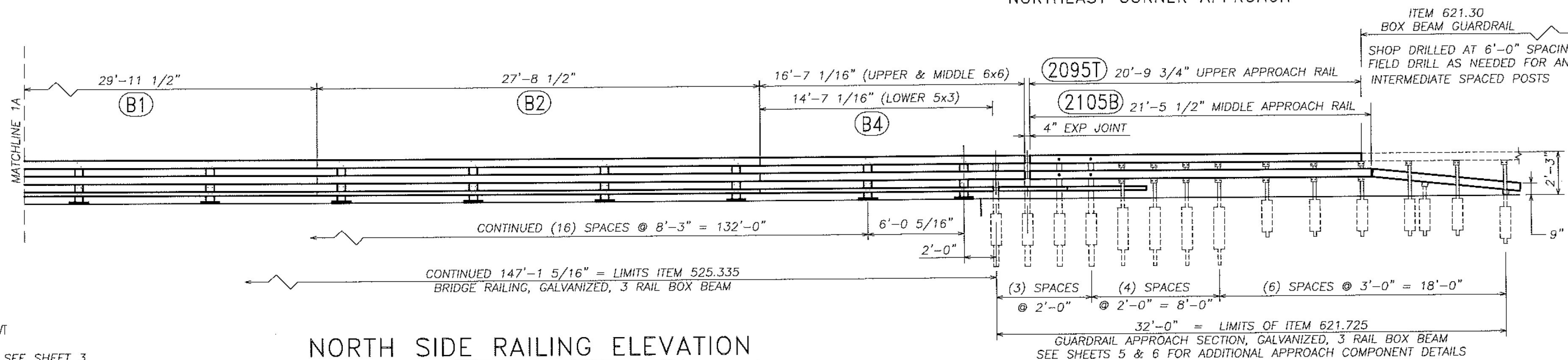


**PARTIAL PLAN VIEW
NORTHWEST CORNER APPROACH**

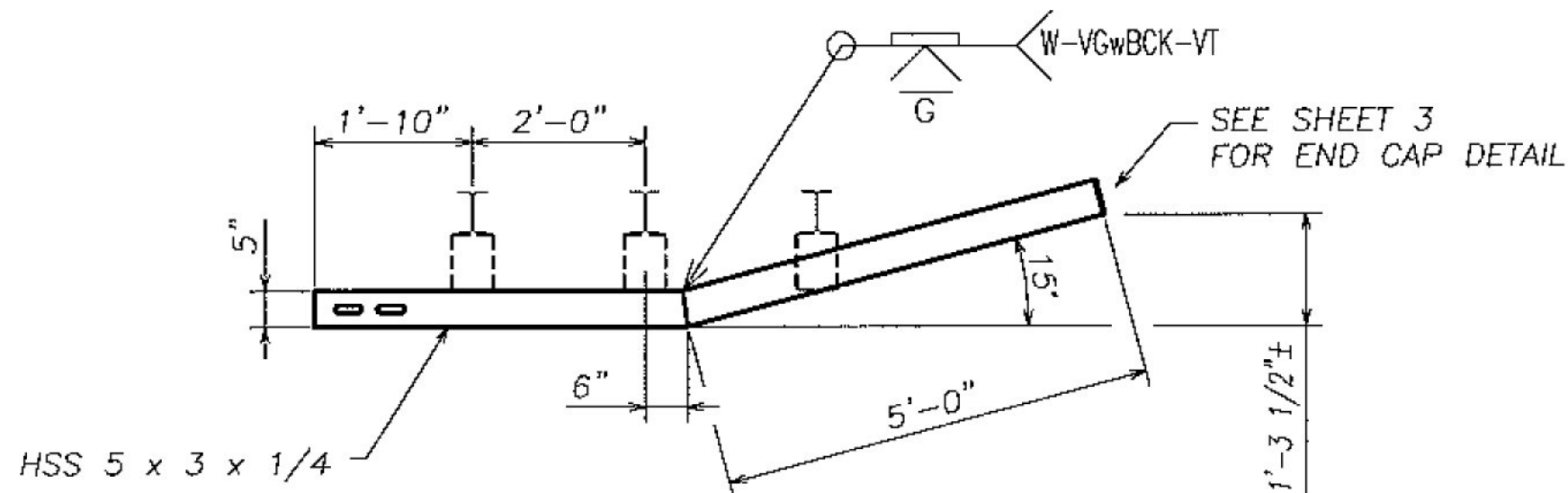


**PARTIAL PLAN VIEW
NORTHEAST CORNER APPROACH**



NORTH SIDE RAILING ELEVATION

LOOKING AT TRAFFIC FACE OF RAILING
FACING NORTH FROM CENTERLINE OF ROAD



LOWER RAIL FLAREBACK END TUBE DETAIL

4 LOCATIONS (typ) AT APPROACH TERMINATION OF LOWER 5x3 RAIL
RIGHT HAND ORIENTATION SHOWN (NE & SW CORNERS)
LEFT HAND IS MIRROR IMAGE (NW & SE CORNERS)

No.	Remarks	Date
A	REVIEW CORRECTIONS	2/17/17
0	Initial submittal	1/26/17

REVISIONS

Vermont Agency of Transportation
RECEIVED

CK'D BY G. ROY OK'D BY S. FAGAN

February 17, 2017

RESUBMIT NO Approved
BY C. CARLSON DATE 02/24/2017

HIGHWAY SAFETY CORP
GLASTONBURY, CT
860-633-9445

ITEM 525.335 BRIDGE RAIL, GALVANIZED, 3 RAIL BOX BEAM
ITEM 621.725 GUARDRAIL APPROACH, GALVANIZED, 3 RAIL BOX BEAM
RT. VT 25B BRIDGE NO. 1 OVER WAITS RIVER
TOWN OF BRADFORD ORANGE COUNTY, VT
BF 0191 (29)

CERTIFIED FABRICATOR

HSC JOB NO. 2155

SHEET NO. 1 of 6

GENERAL CONTRACTOR	VT REC.	DATE	01-24-17	SCALE	NONE	SIZE	D	
BRAND	PAR	CHECKED	DATE	01-24-17	SCALE	NONE	SIZE	D