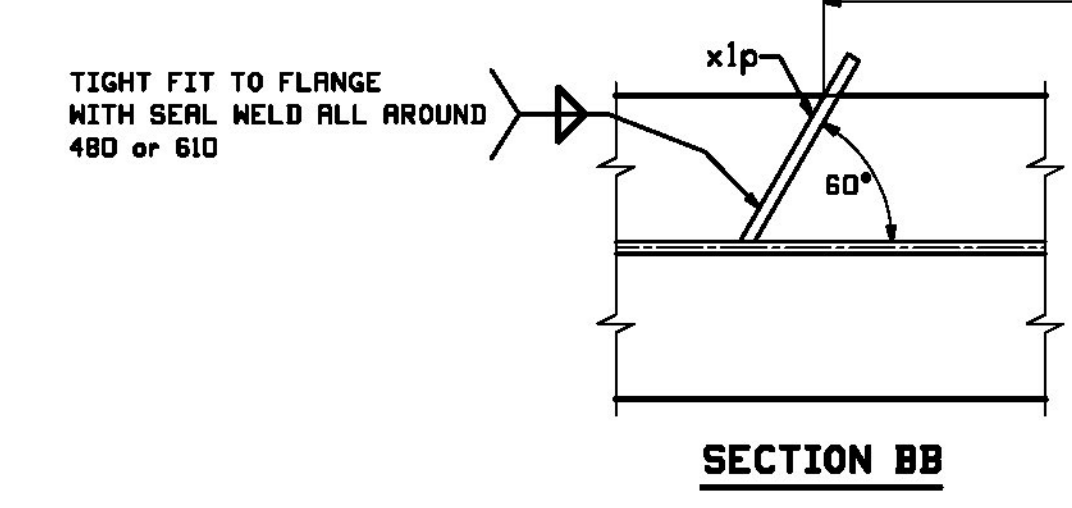
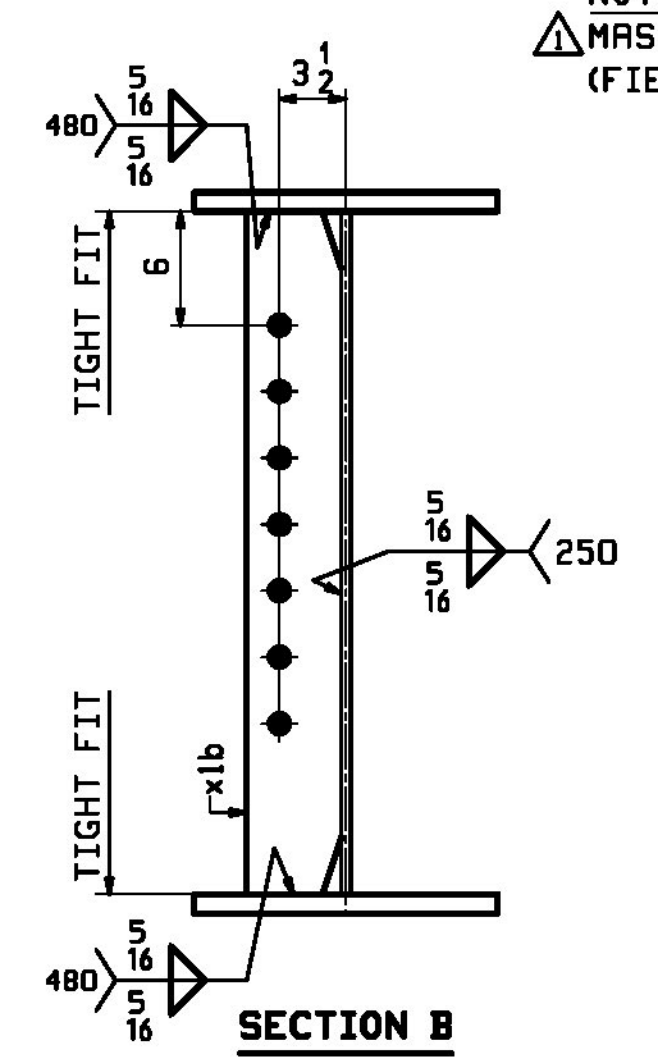
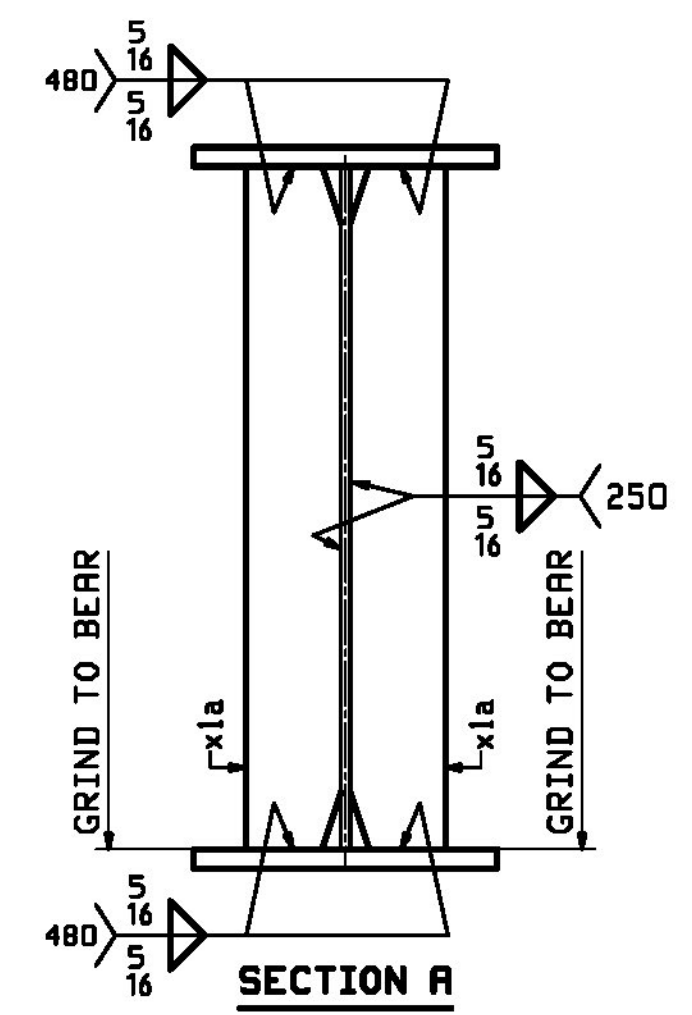
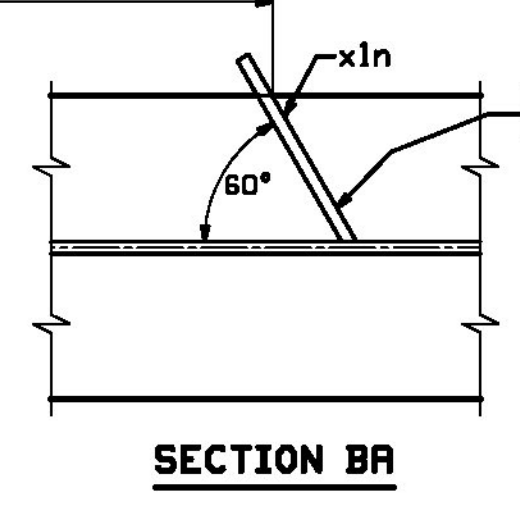
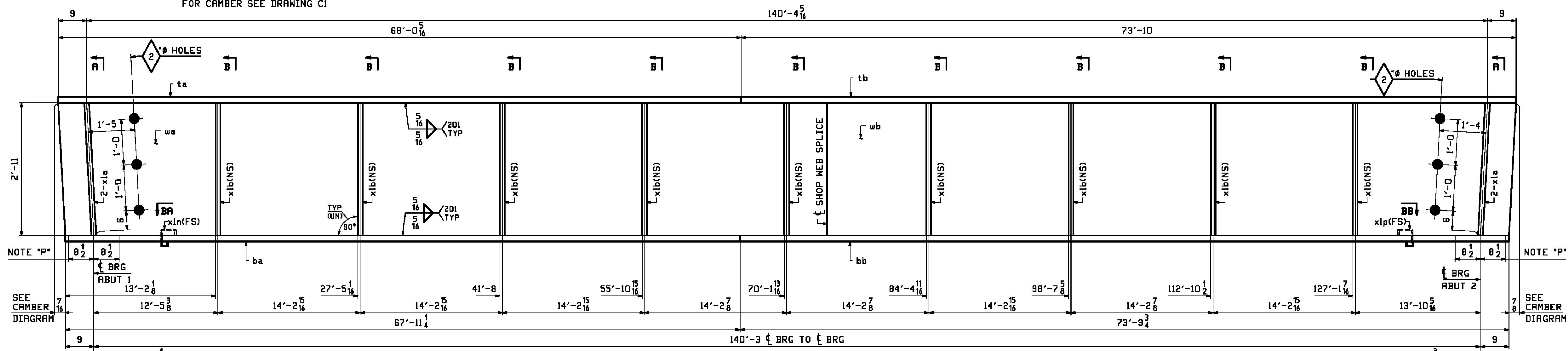


BILL OF MATERIAL							BILL OF MATERIAL												
ABM INFO	SHIP	QTY	MARK	MATERIAL	LENGTH	REMARKS	JOB NO.	DRAWING NO.	REV.	ABM INFO	SHIP	QTY	MARK	MATERIAL	LENGTH	REMARKS	JOB NO.	DRAWING NO.	REV.
					FT INCHES		706-1	1									706-1	1	
3	B	4	x1a	PL 7/8 x 7 1/2	2 11	(ONE)						1	IG1	GIRDER					
3	C	9	x1b	PL 2 x 5	2 11														
3	D	1	x1n	PL 1/4 x 4 1/2	0 11 1/16														
3	D	1	x1p	PL 1/4 x 4 1/2	0 11 1/16														
2	A	1	wa	PL 1/2 x 35	71 9 1/16														
2	G	1	wb	PL 2 x 35	70 0 1/16														
1	W	1	ta	PL 2 x 16	68 0 5/16														
1	Q	1	tb	PL 2 x 16	79 10														
1	L	1	ba	PL 2 1/2 x 16	67 11 1/4														
1	E	1	bb	PL 2 1/2 x 16	79 9 3/4														



**ONE - GIRDER - 1G1 (DEVELOPED)**

FOR GIRDER STANDARDS DETAILS SEE DRAWING X1.  
 FOR CAMBER & HORIZONTAL CURVING DIAGRAMS SEE DRAWING C1.  
 FOR FLANGE DIAGRAM SEE DRAWING F1.  
 FOR GENERAL NOTES SEE DRAWING GNI.  
 T2 DENOTES MATERIAL SUBJECT TO CHARPY V-NOTCH TESTING.

NOTE \*P\*:  
 MASK EDGES OF BOTTOM FLANGE DURING METALIZING.  
 (FIELD WELDED SOLE PLATE).

5/2/17	APPROVAL COMMENT	JTB	DBH		
REV. DATE	REMARKS	DWN	CHK	APVL	SHOP
MATERIAL:	SURFACE PREP. & PAINT:	HOLES:	SHOP BOLTS:		
M270-50 (UN)	SEE DWG GNI	15/16 (UN)	NONE		
DESCRIPTION: GIRDER - 1G1					
		<b>CASCO BAY STEEL STRUCTURES, INC.</b> 1 WALLACE AVE. PHONE (207) 780-6722 SOUTH PORTLAND, ME 04106 FAX. (207) 780-6726			
STRUCTURE:	ROUTE VT 25B OVER WAITS RIVER RURAL MAJOR COLLECTOR BRIDGE NO. 1 BRADFORD COUNTY OF ORANGE	DRAWN:	JTB	DATE:	02/27
LOCATION:	TOWN OF BRADFORD, VERMONT	CHKD:	DBH	DATE:	03/13
PROJ NO.	BF D191(29)	JOB NO.	DNG NO.		
CUSTOMER:	A.L.ST. ONGE	706-1	1		
			REV. 1		

Vermont Agency of Transportation  
**RECEIVED**  
 CK'D BY \_\_\_\_\_ OK'D BY GFR  
 May 7, 2017  
 RESUBMIT No Approved  
 BY C. Carlson DATE 05/09/2017