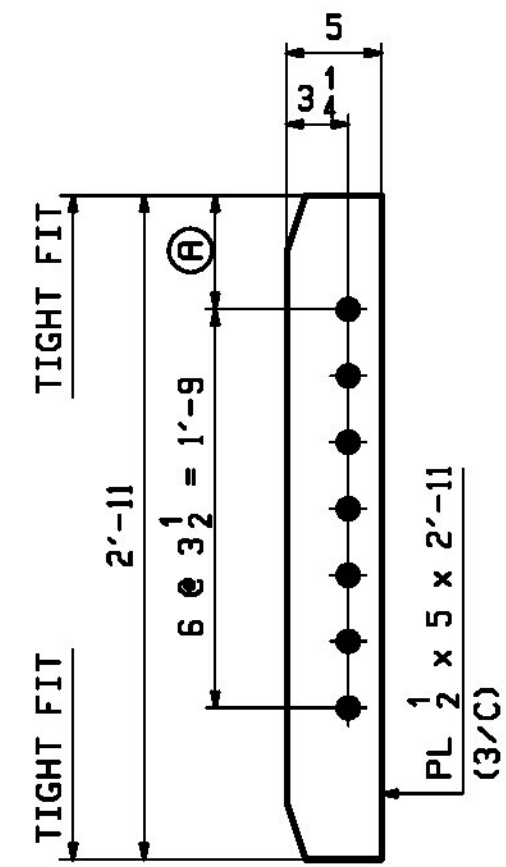
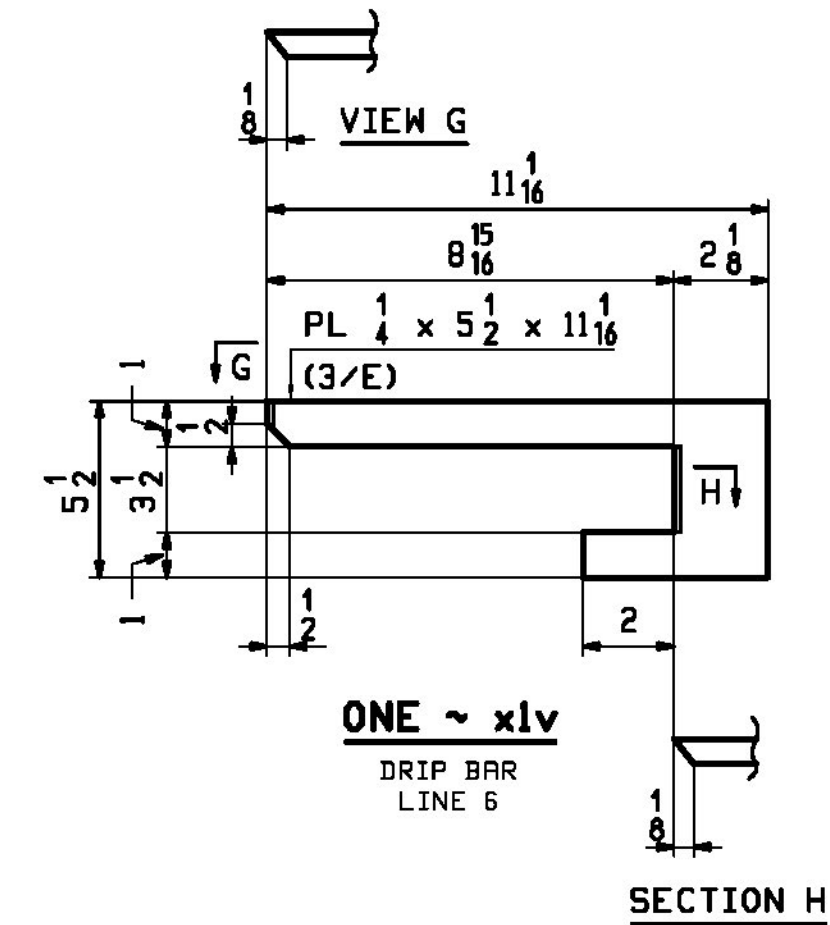
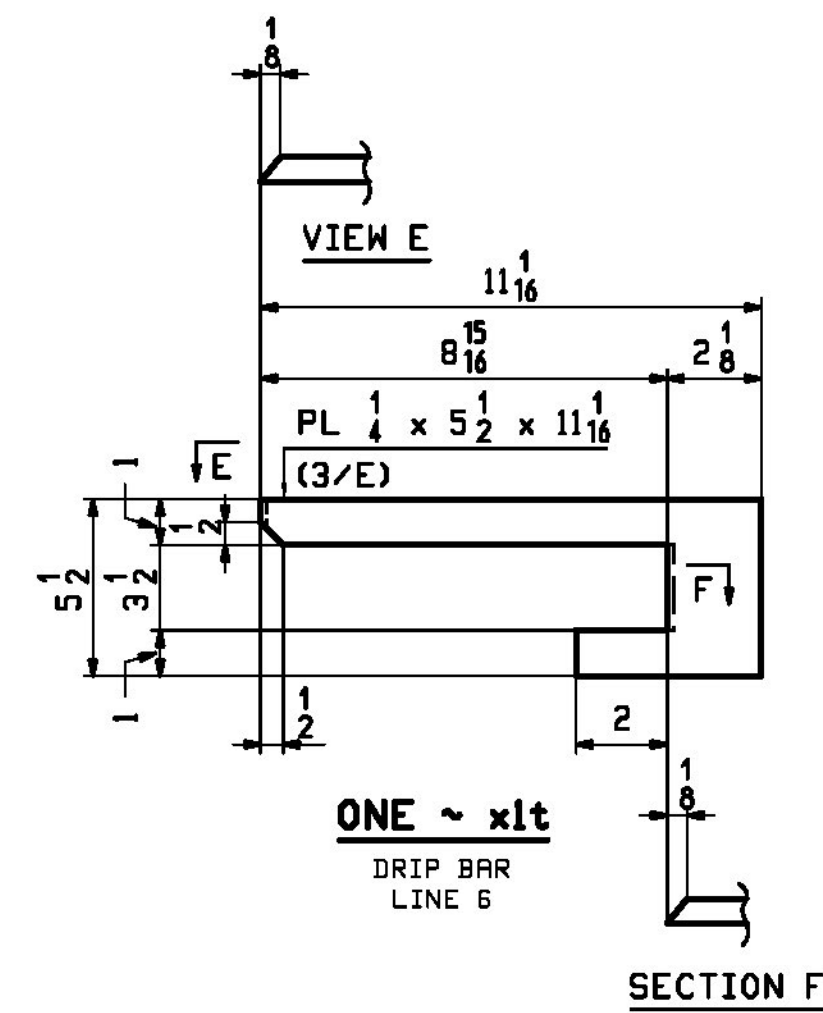
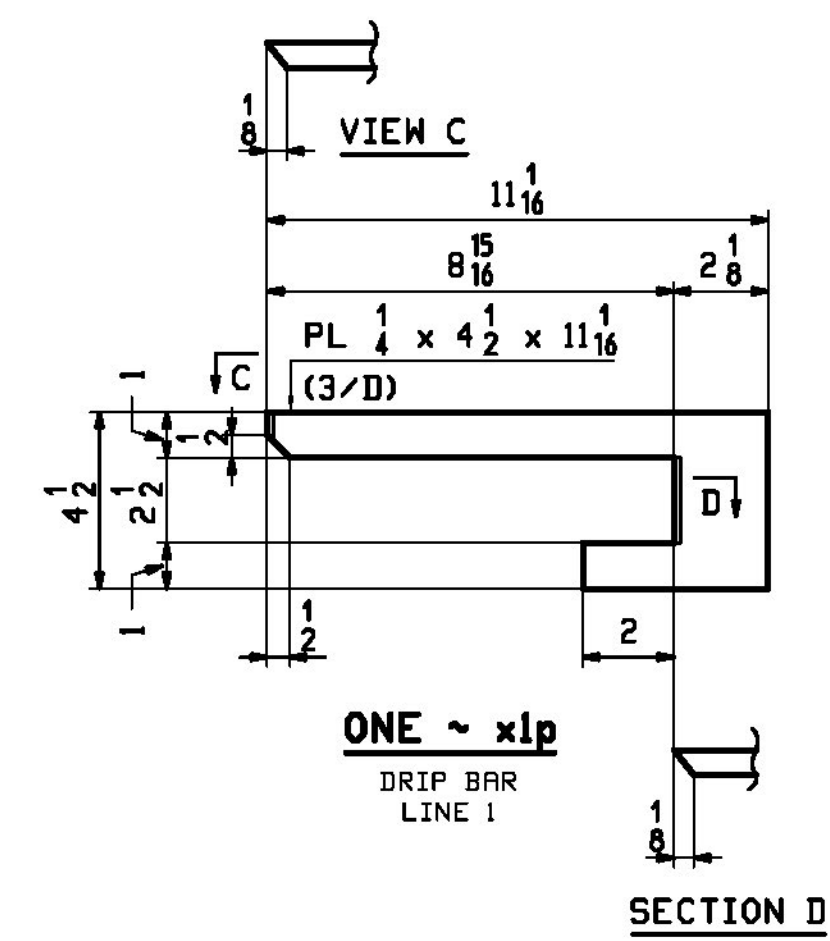
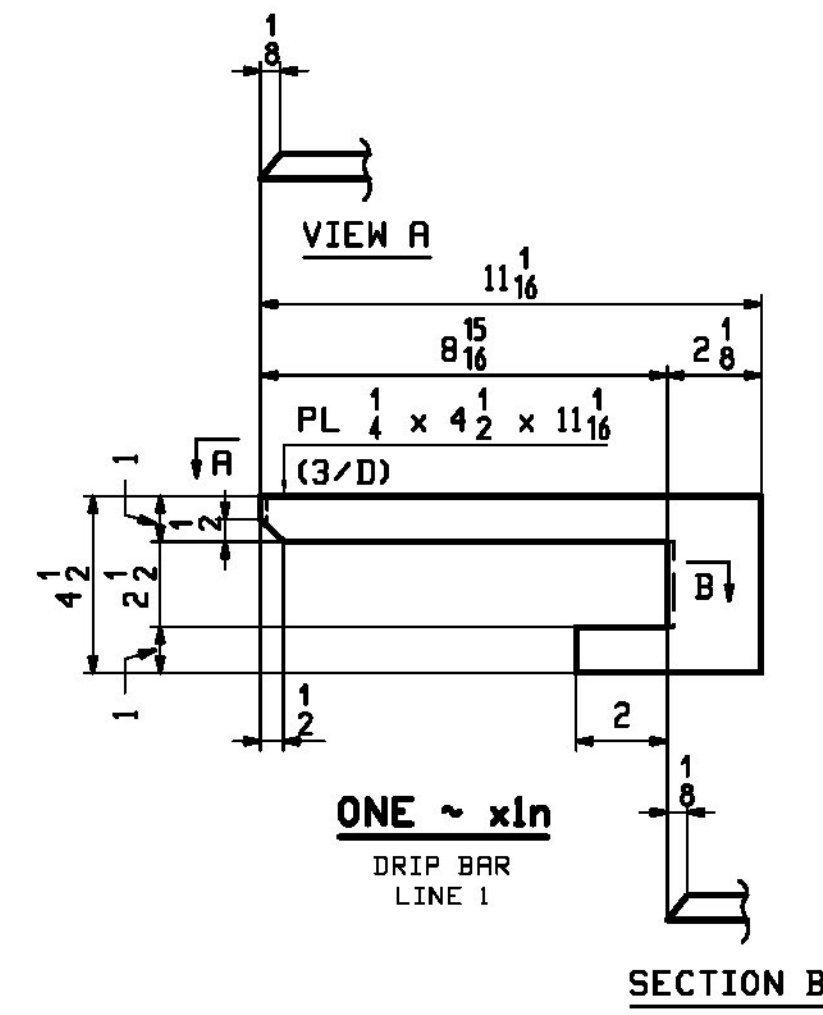


**24 ~ x1a**  
ABUT BRG STIFFENER



**MARK "A"**  
INT DIAPH CONN PL

MARK "A"	QTY	(R)	
x1b	49	6	LOW END (DROP 1/8)
x1c	8	6 1/2	DROPS 5/16 TO 11/16
x1d	8	7	DROPS 9/16 TO 1 1/8
x1f	9	7 7/16	DROPS 1 1/4 TO 1 5/8
x1g	9	7 15/16	DROPS 1 1/2 TO 2 1/8
x1k	7	8 3/8	DROPS 2 1/8 TO 2 5/8
x1m	4	8 13/16	DROPS 2 1/2 TO 2 15/16



NOTE:  
FOR GENERAL NOTES SEE DRAWING GNI.

REV.	DATE	REMARKS	DWN	CHK	APVL	SHOP
0						
MATERIAL:		SURFACE PREP. & PAINT:		HOLES:		SHOP BOLTS:
M270-50		SEE DWG GNI		15/16" φ		NONE
DESCRIPTION: STANDARD DETAILS						
			<b>CASCO BAY STEEL STRUCTURES, INC.</b> 1 WALLACE AVE. PHONE (207) 780-6722 SOUTH PORTLAND, ME 04106 FAX. (207) 780-6726			
STRUCTURE: ROUTE VT 25B OVER WAITS RIVER RURAL MAJOR COLLECTOR BRIDGE NO. 1 BRADFORD COUNTY OF ORANGE				DRAWN: JTB	DATE: 02/27	
				CHKD: DBH	DATE: 03/13	
LOCATION: TOWN OF BRADFORD, VERMONT				JOB NO.	DNG NO.	
PROJ NO. BF D191(29)				706-1	X1	
CUSTOMER: A.L.ST. ONGE					REV.	△

Vermont Agency of Transportation  
**RECEIVED**

CK'D BY \_\_\_\_\_ OK'D BY GFR

May 7, 2017

RESUBMIT No Approved  
BY C. Carlson DATE 05/09/2017