

**B-401S**  
#4 BENT BAR  
STAINLESS STEEL  
USE 3/8" PIN  
(27) REQ'D.

**B-402S**  
#4 BENT BAR  
STAINLESS STEEL  
USE 3/8" PIN  
(23) REQ'D.

**B-601S**  
#6 BENT BAR  
STAINLESS STEEL  
USE 4 1/2" PIN  
(23) REQ'D.

**B-506S**  
#6 BENT BAR  
STAINLESS STEEL  
USE 3 3/4" PIN  
(14) REQ'D.

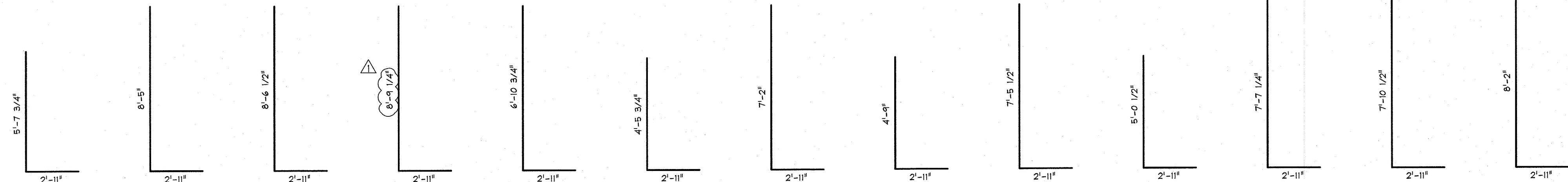
**W-602S**  
#6 BENT BAR  
STAINLESS STEEL  
USE 4 1/2" PIN  
(24) REQ'D.

**B-501S**  
#6 BENT BAR  
STAINLESS STEEL  
USE 3 3/4" PIN  
(5) REQ'D.

**B-502S**  
#6 BENT BAR  
STAINLESS STEEL  
USE 3 3/4" PIN  
(3) REQ'D.

**B-503S**  
#6 BENT BAR  
STAINLESS STEEL  
USE 3 3/4" PIN  
(1) REQ'D.

**B-504S**  
#6 BENT BAR  
STAINLESS STEEL  
USE 3 3/4" PIN  
(8) REQ'D.



**B-505S**  
#6 BENT BAR  
STAINLESS STEEL  
USE 3 3/4" PIN  
(2) REQ'D.

**B-507S**  
#6 BENT BAR  
STAINLESS STEEL  
USE 3 3/4" PIN  
(4) REQ'D.

**B-508S**  
#6 BENT BAR  
STAINLESS STEEL  
USE 3 3/4" PIN  
(4) REQ'D.

**B-509S**  
#6 BENT BAR  
STAINLESS STEEL  
USE 3 3/4" PIN  
(16) REQ'D.

**B-510S**  
#6 BENT BAR  
STAINLESS STEEL  
USE 3 3/4" PIN  
(6) REQ'D.

**B-511S**  
#6 BENT BAR  
STAINLESS STEEL  
USE 3 3/4" PIN  
(1) REQ'D.

**B-512S**  
#6 BENT BAR  
STAINLESS STEEL  
USE 3 3/4" PIN  
(3) REQ'D.

**B-513S**  
#6 BENT BAR  
STAINLESS STEEL  
USE 3 3/4" PIN  
(2) REQ'D.

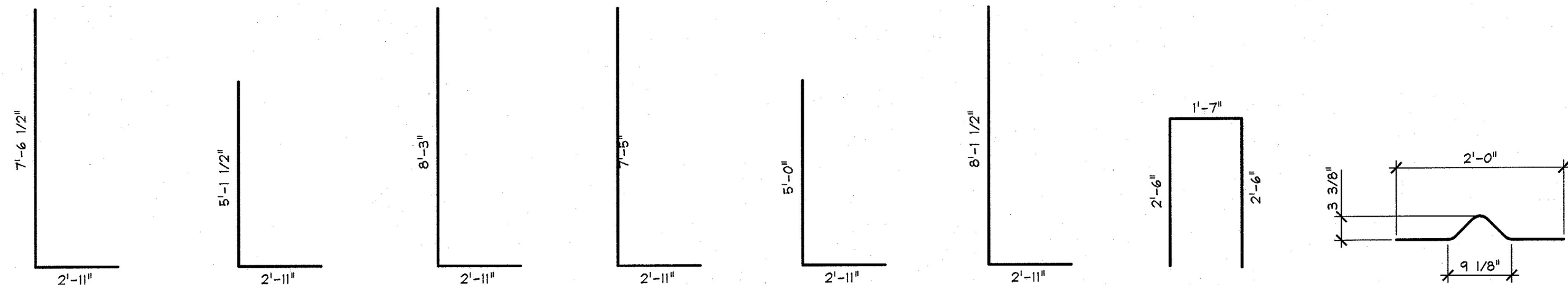
**B-514S**  
#6 BENT BAR  
STAINLESS STEEL  
USE 3 3/4" PIN  
(3) REQ'D.

**B-515S**  
#6 BENT BAR  
STAINLESS STEEL  
USE 3 3/4" PIN  
(1) REQ'D.

**B-516S**  
#6 BENT BAR  
STAINLESS STEEL  
USE 3 3/4" PIN  
(20) REQ'D.

**B-517S**  
#6 BENT BAR  
STAINLESS STEEL  
USE 3 3/4" PIN  
(4) REQ'D.

**B-518S**  
#6 BENT BAR  
STAINLESS STEEL  
USE 3 3/4" PIN  
(7) REQ'D.



**B-520S**  
#6 BENT BAR  
STAINLESS STEEL  
USE 3 3/4" PIN  
(20) REQ'D.

**B-521S**  
#6 BENT BAR  
STAINLESS STEEL  
USE 3 3/4" PIN  
(4) REQ'D.

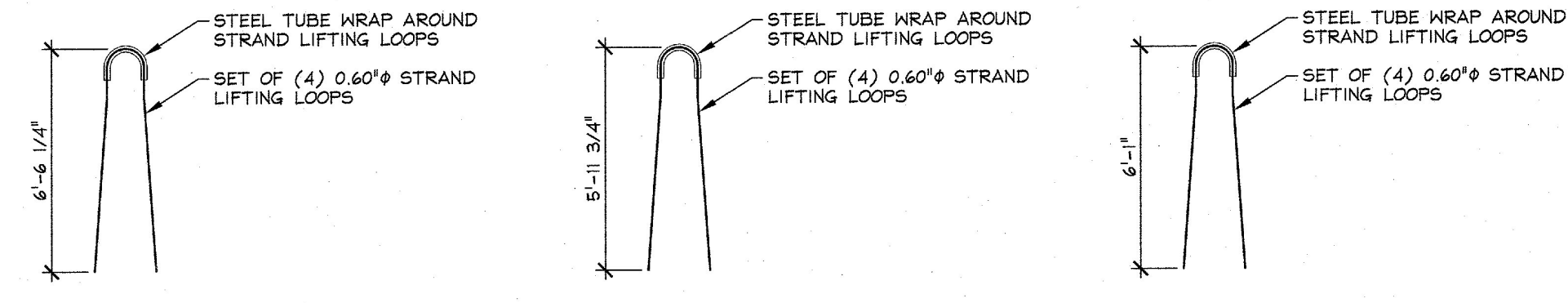
**B-522S**  
#6 BENT BAR  
STAINLESS STEEL  
USE 3 3/4" PIN  
(48) REQ'D.

**B-523S**  
#6 BENT BAR  
STAINLESS STEEL  
USE 3 3/4" PIN  
(10) REQ'D.

**B-524S**  
#6 BENT BAR  
STAINLESS STEEL  
USE 3 3/4" PIN  
(9) REQ'D.

**B-525S**  
#6 BENT BAR  
STAINLESS STEEL  
USE 3 3/4" PIN  
(24) REQ'D.

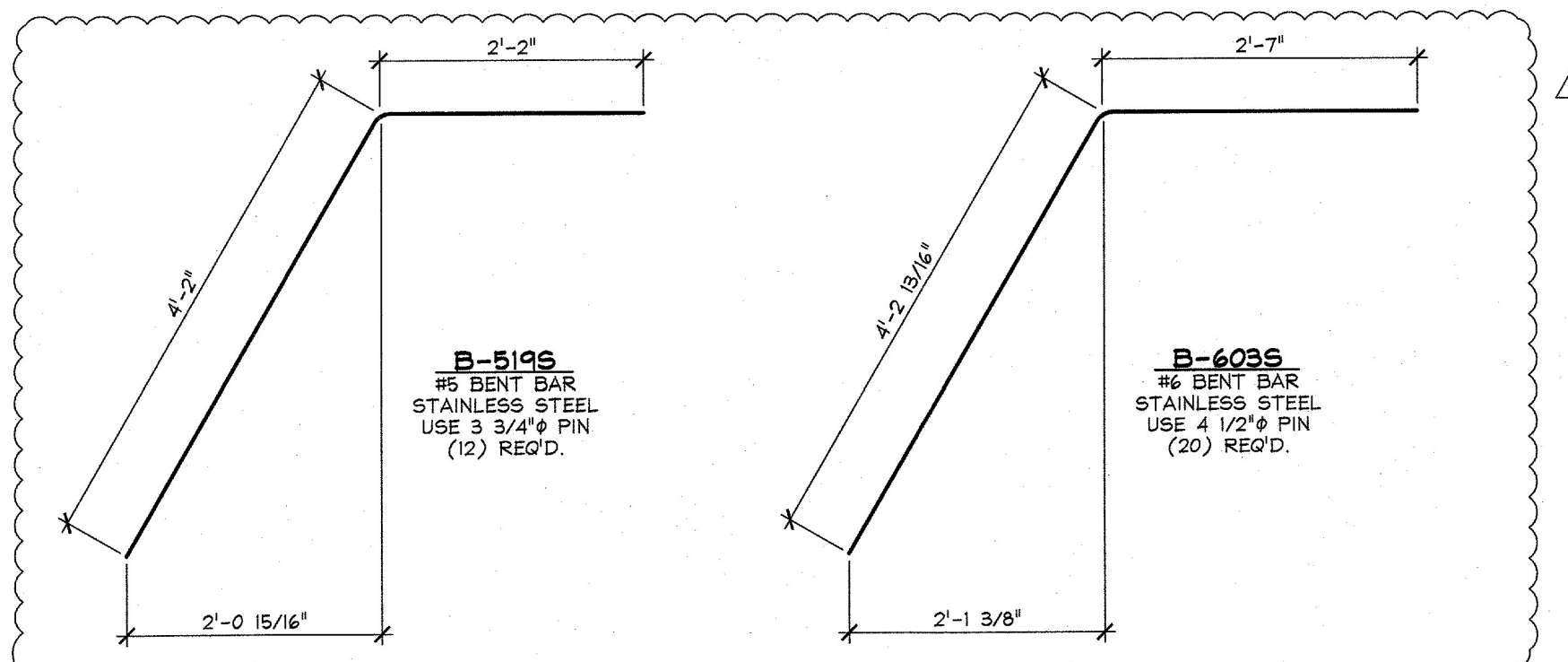
**B-530S**  
#4 BENT BAR  
STAINLESS STEEL  
USE 3/8" PIN  
(8) REQ'D.



**MK-B1**  
N.T.S.

**MK-B2**  
N.T.S.

**MK-B3**  
N.T.S.



**B-519S**  
#6 BENT BAR  
STAINLESS STEEL  
USE 3 3/4" PIN  
(12) REQ'D.

**B-603S**  
#6 BENT BAR  
STAINLESS STEEL  
USE 4 1/2" PIN  
(20) REQ'D.

MISCELLANEOUS MATERIALS			WINGWALL	
ITEM	MARK	QTY.	DESCRIPTION	REMARKS
1			#6 NMB SPLICE SLEEVE (GALV.)	+3 FOR TESTING
2			#6 NMB SPLICE SLEEVE (GALV.)	+3 FOR TESTING
3	B-403S	8	#4 BENT BAR (STAINLESS STEEL)	
4	B-530S	20	#5 BENT BAR (STAINLESS STEEL)	
5				
6				
7			#6 x 2'-10" (STAINLESS STEEL)	+3 FOR TESTING
8			#6 x 4'-9" (STAINLESS STEEL)	
9			#6 x 3'-10" (STAINLESS STEEL)	
10			#6 x 5'-9" (STAINLESS STEEL)	
11				
12				
13				
14				
15			#5 x 3'-8" (STAINLESS STEEL)	
16			#5 x 10'-4 3/4" (STAINLESS STEEL)	
17			#5 x 4'-1" (STAINLESS STEEL)	
18			#5 x 8'-11 3/4" (STAINLESS STEEL)	
19			#5 x 4'-8" (STAINLESS STEEL)	
20			#5 x 9'-8" (STAINLESS STEEL)	
21			#5 x 5'-1" (STAINLESS STEEL)	
22				
23				
24				
25				
26				
27				
28				
29			8T x 13 3/8" SWIFT LIFT	
30			4T x 7 1/8" SWIFT LIFT	

MISCELLANEOUS MATERIALS			ABUTMENT	
ITEM	MARK	QTY.	DESCRIPTION	REMARKS
1	B-401S	27	#4 BENT BAR (STAINLESS STEEL)	+3 FOR TESTING
2	B-402S	23	#4 BENT BAR (STAINLESS STEEL)	
3	B-501S	5	#6 BENT BAR (STAINLESS STEEL)	
4	B-502S	3	#6 BENT BAR (STAINLESS STEEL)	
5	B-503S	1	#6 BENT BAR (STAINLESS STEEL)	
6	B-504S	8	#6 BENT BAR (STAINLESS STEEL)	
7	B-505S	2	#6 BENT BAR (STAINLESS STEEL)	
8	B-506S	14	#6 BENT BAR (STAINLESS STEEL)	
9	B-507S	4	#6 BENT BAR (STAINLESS STEEL)	
10	B-508S	4	#6 BENT BAR (STAINLESS STEEL)	
11	B-509S	16	#6 BENT BAR (STAINLESS STEEL)	
12	B-510S	6	#6 BENT BAR (STAINLESS STEEL)	
13	B-511S	1	#6 BENT BAR (STAINLESS STEEL)	
14	B-512S	3	#6 BENT BAR (STAINLESS STEEL)	
15	B-513S	2	#6 BENT BAR (STAINLESS STEEL)	
16	B-514S	3	#6 BENT BAR (STAINLESS STEEL)	
17	B-515S	1	#6 BENT BAR (STAINLESS STEEL)	
18	B-516S	20	#6 BENT BAR (STAINLESS STEEL)	
19	B-517S	4	#6 BENT BAR (STAINLESS STEEL)	
20	B-518S	7	#6 BENT BAR (STAINLESS STEEL)	
21	B-519S	12	#6 BENT BAR (STAINLESS STEEL)	
22	B-520S	20	#6 BENT BAR (STAINLESS STEEL)	
23	B-521S	4	#6 BENT BAR (STAINLESS STEEL)	
24	B-522S	48	#6 BENT BAR (STAINLESS STEEL)	
25	B-523S	10	#6 BENT BAR (STAINLESS STEEL)	
26	B-524S	3	#6 BENT BAR (STAINLESS STEEL)	
27	B-525S	24	#6 BENT BAR (STAINLESS STEEL)	
28	B-601S	23	#6 BENT BAR (STAINLESS STEEL)	
29	B-602S	24	#6 BENT BAR (STAINLESS STEEL)	
30	B-603S	20	#6 BENT BAR (STAINLESS STEEL)	
31				
32			#5 x 5'-1 5/8" (STAINLESS STEEL)	
33			#5 x 5'-3 1/2" (STAINLESS STEEL)	
34			#5 x 7'-10" (STAINLESS STEEL)	+1 FOR TESTING
35			#5 x 8'-0 3/4" (STAINLESS STEEL)	
36			#5 x 8'-5" (STAINLESS STEEL)	
37			#5 x 8'-6 1/2" (STAINLESS STEEL)	
38			#5 x 8'-9 1/4" (STAINLESS STEEL)	
39			#5 x 6'-10 3/4" (STAINLESS STEEL)	
40			#5 x 7'-2 1/8" (STAINLESS STEEL)	
41			#5 x 7'-5 1/2" (STAINLESS STEEL)	
42			#5 x 7'-7 1/4" (STAINLESS STEEL)	
43			#5 x 7'-10 5/8" (STAINLESS STEEL)	
44			#5 x 8'-2" (STAINLESS STEEL)	
45			#5 x 7'-5" (STAINLESS STEEL)	
46			#5 x 7'-6 5/8" (STAINLESS STEEL)	
47			#5 x 8'-1 1/2" (STAINLESS STEEL)	
48			#5 x 8'-3 1/8" (STAINLESS STEEL)	
49			#5 x 21'-3 1/2" (STAINLESS STEEL)	
50			#5 x 22'-11 1/4" (STAINLESS STEEL)	
51			#5 x 22'-0 1/4" (STAINLESS STEEL)	
52			#5 x 23'-8 1/2" (STAINLESS STEEL)	
53			#5 x 20'-8 3/4" (STAINLESS STEEL)	
54			#5 x 22'-4 3/4" (STAINLESS STEEL)	
55			#5 x 22'-8 1/2" (STAINLESS STEEL)	
56			#5 x 21'-0 1/4" (STAINLESS STEEL)	
57			93 LF P.V.C. WATERSTOP PER VTAOT 707-10	
58			2'-0" x 5'-9 9/16" CORRUGATED STEEL SLEEVE	
59			2'-0" x 5'-11 1/16" CORRUGATED STEEL SLEEVE	
60			2'-0" x 6'-1 13/16" CORRUGATED STEEL SLEEVE	
61			2'-0" x 4'-11 3/4" CORRUGATED STEEL SLEEVE	
62			2'-0" x 5'-3 1/8" CORRUGATED STEEL SLEEVE	
63			2'-0" x 5'-6 1/2" CORRUGATED STEEL SLEEVE	
64			2'-0" x 5'-7 5/8" CORRUGATED STEEL SLEEVE	
65			2'-0" x 5'-7" CORRUGATED STEEL SLEEVE	
66			2'-0" x 5'-6" CORRUGATED STEEL SLEEVE	
67	MK-B1	4	SET OF (4) 0.60" STRAND LIFTING LOOPS x 6'-6 1/4" LG	
68	MK-B2	4	SET OF (4) 0.60" STRAND LIFTING LOOPS x 5'-11 3/4" LG	
69	MK-B3	8	SET OF (4) 0.60" STRAND LIFTING LOOPS x 6'-1" LG	

Vermont Agency of Transportation  
**RECEIVED**  
 CK'D BY \_\_\_\_\_ OK'D BY G. ROY  
 March 14, 2017  
 RESUBMIT NO Approved  
 BY C. CARLSON DATE 03/15/2017  
 2/24/17 REVISED AS PER ENGINEERS COMM. T.D.

APPROVAL STAMP:  
 J.P. CARRARA & SONS INC.  
 Precast & Prestress Manufacturer  
 2464 ONE STR. MIDDLEBURY, VERMONT 05753 Phone: (802) 388-6361 Fax: (802) 388-9010  
 STATE OF VERMONT AGENCY OF TRANSPORTATION  
 COUNTY OF ORANGE  
 TOWN OF BRADFORD  
 VT 25B (RURAL MAJOR COLLECTOR)  
 BRIDGE NO.: 1 PROJECT NO.: BF 0191 (29)  
**MATERIAL LIST**

A.L. ST. ONGE  
 CONTRACTOR  
 MONTGOMERY, VERMONT  
 DATE: DEC. 21, 2016  
 SCALE: NOTED  
 CHKD: \_\_\_\_\_ DFTM: T.D.  
 JOB NO: 23506-016  
 DWG. NO: M1