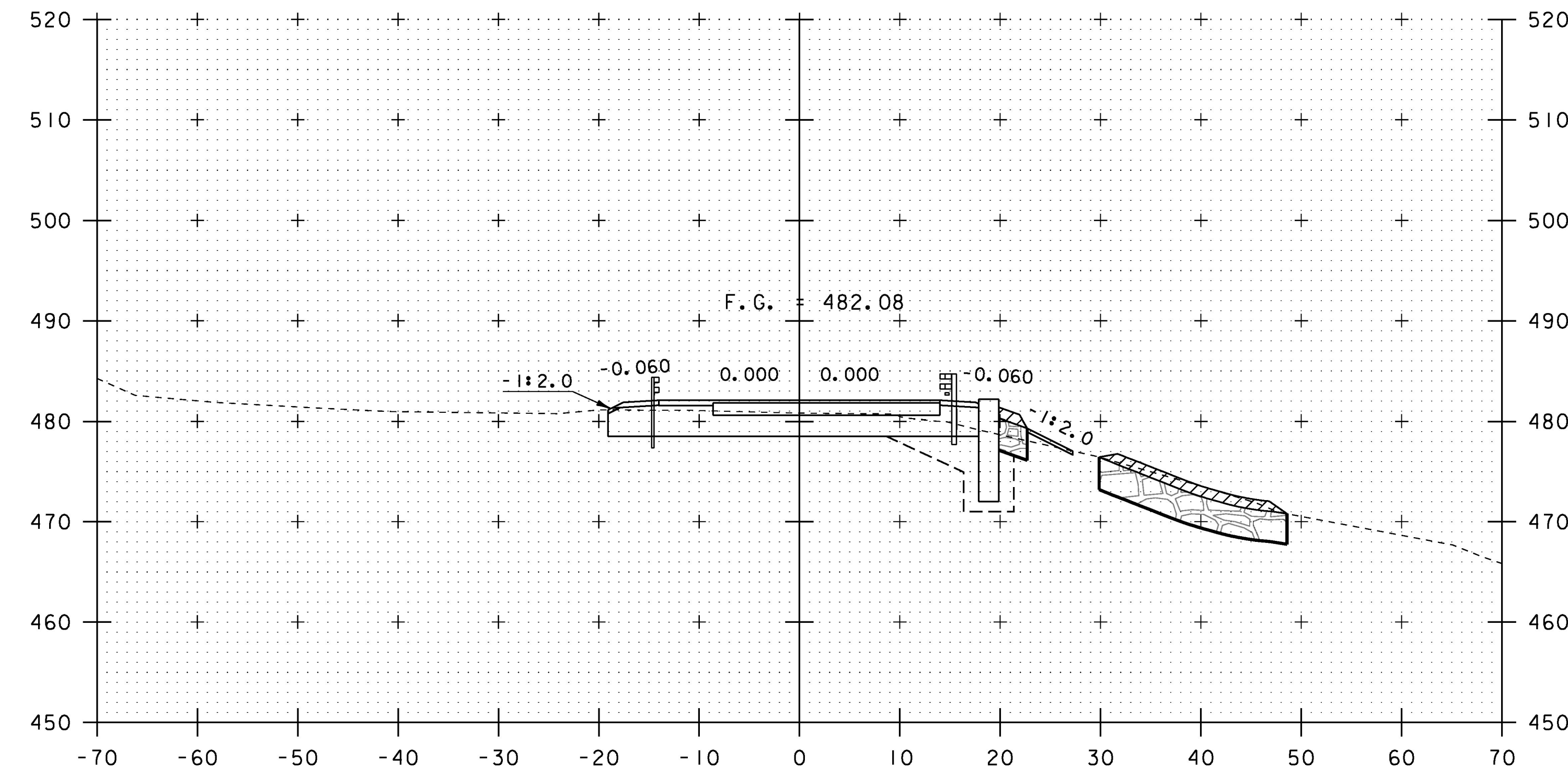
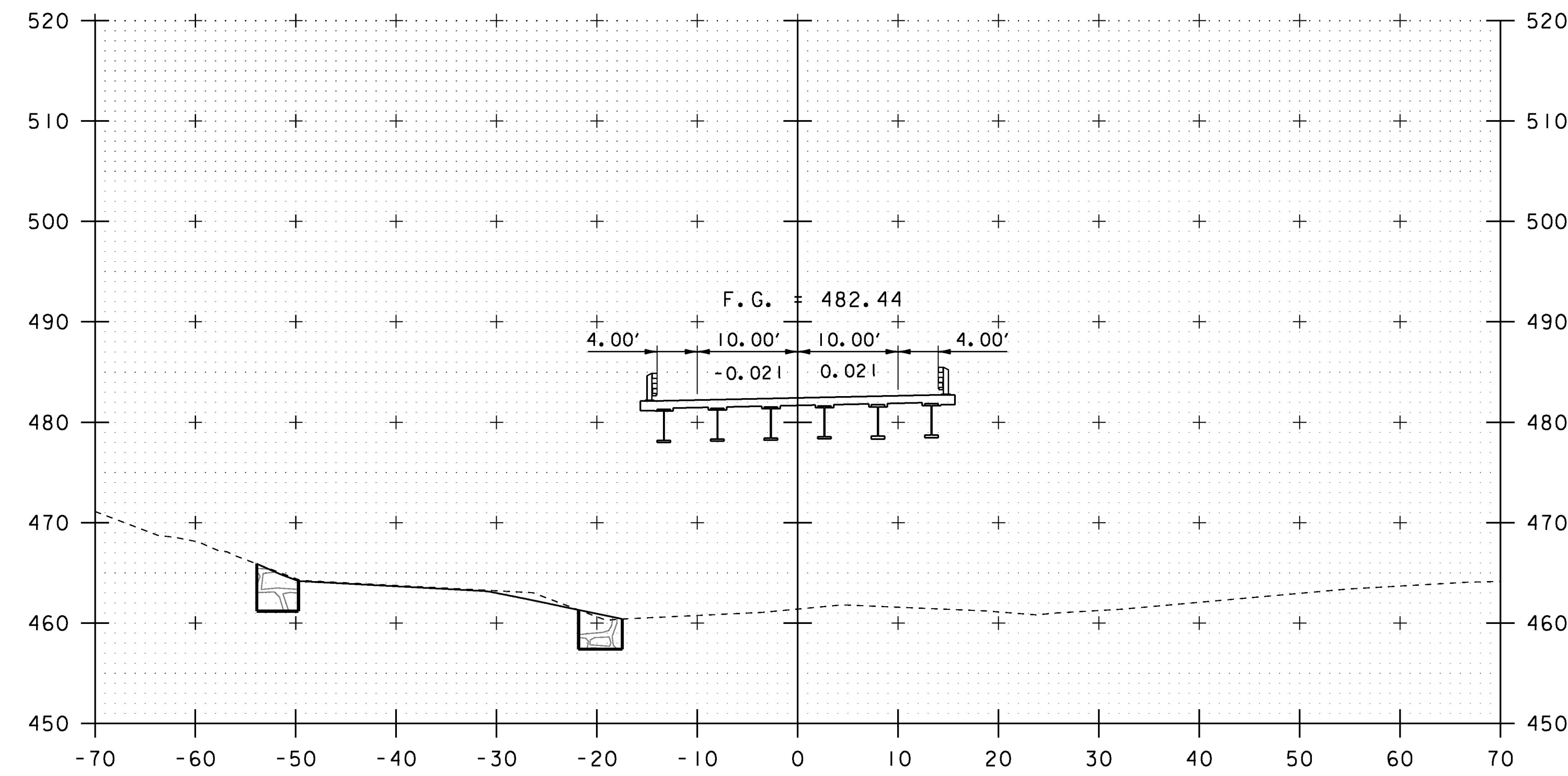


15+00

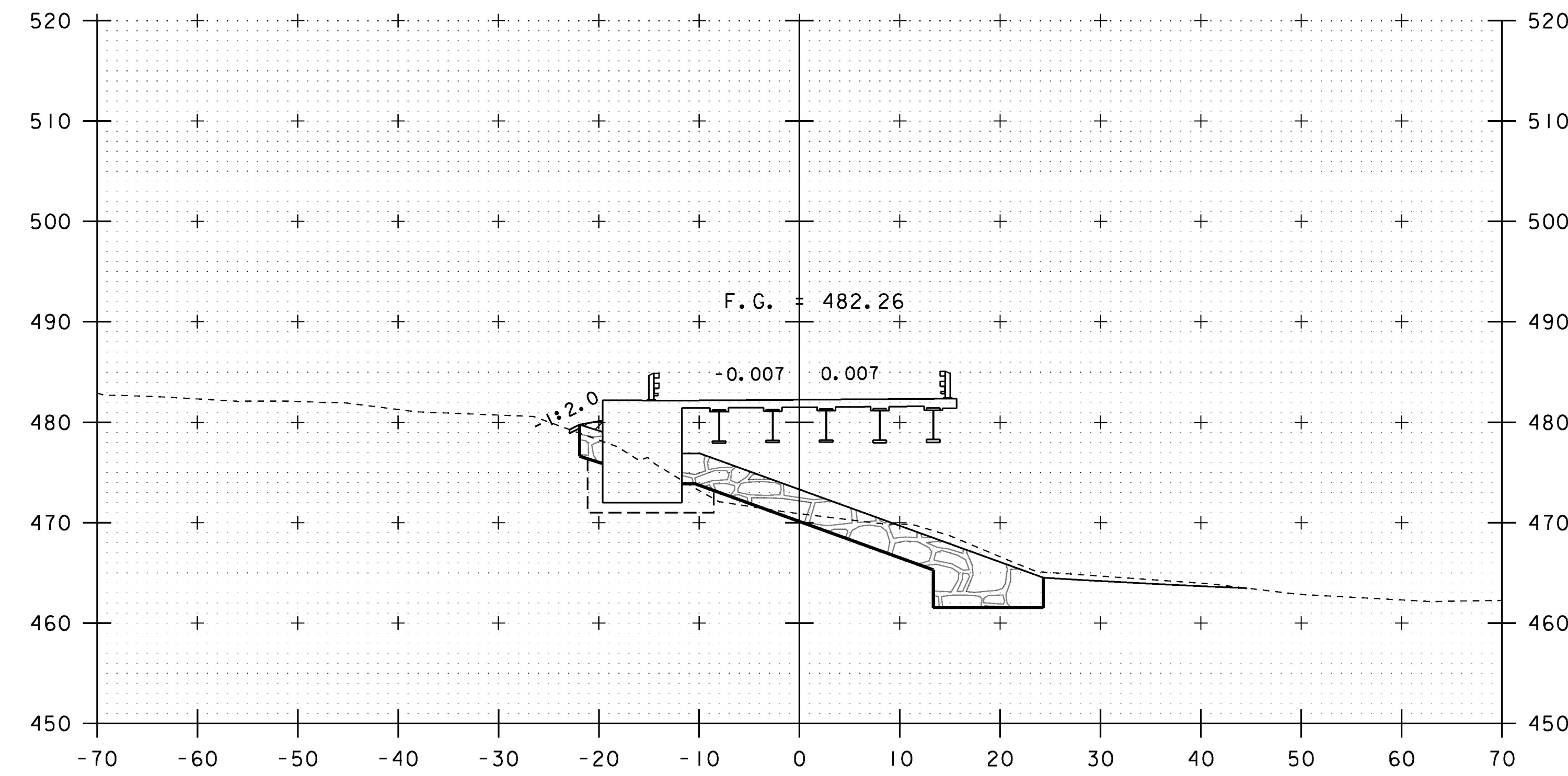


15+50

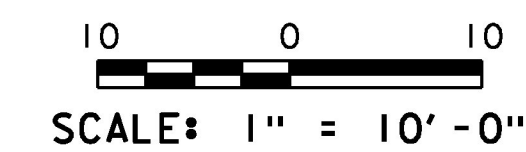
STA 15+34.51
END BRIDGE



14+75



15+25



STA. 14+75 TO STA. 15+50

PROJECT NAME: BRADFORD	PLOT DATE: 15-SEP-2016
PROJECT NUMBER: BF 0191 (29)	DRAWN BY: G. ROY
FILE NAME: sl3c054xsl.dgn	CHECKED BY: M. EVANS-MONGEON
PROJECT LEADER: C. CARLSON	SHEET 46 OF 71
DESIGNED BY: G. ROY	
VT 25B CROSS SECTION (5)	