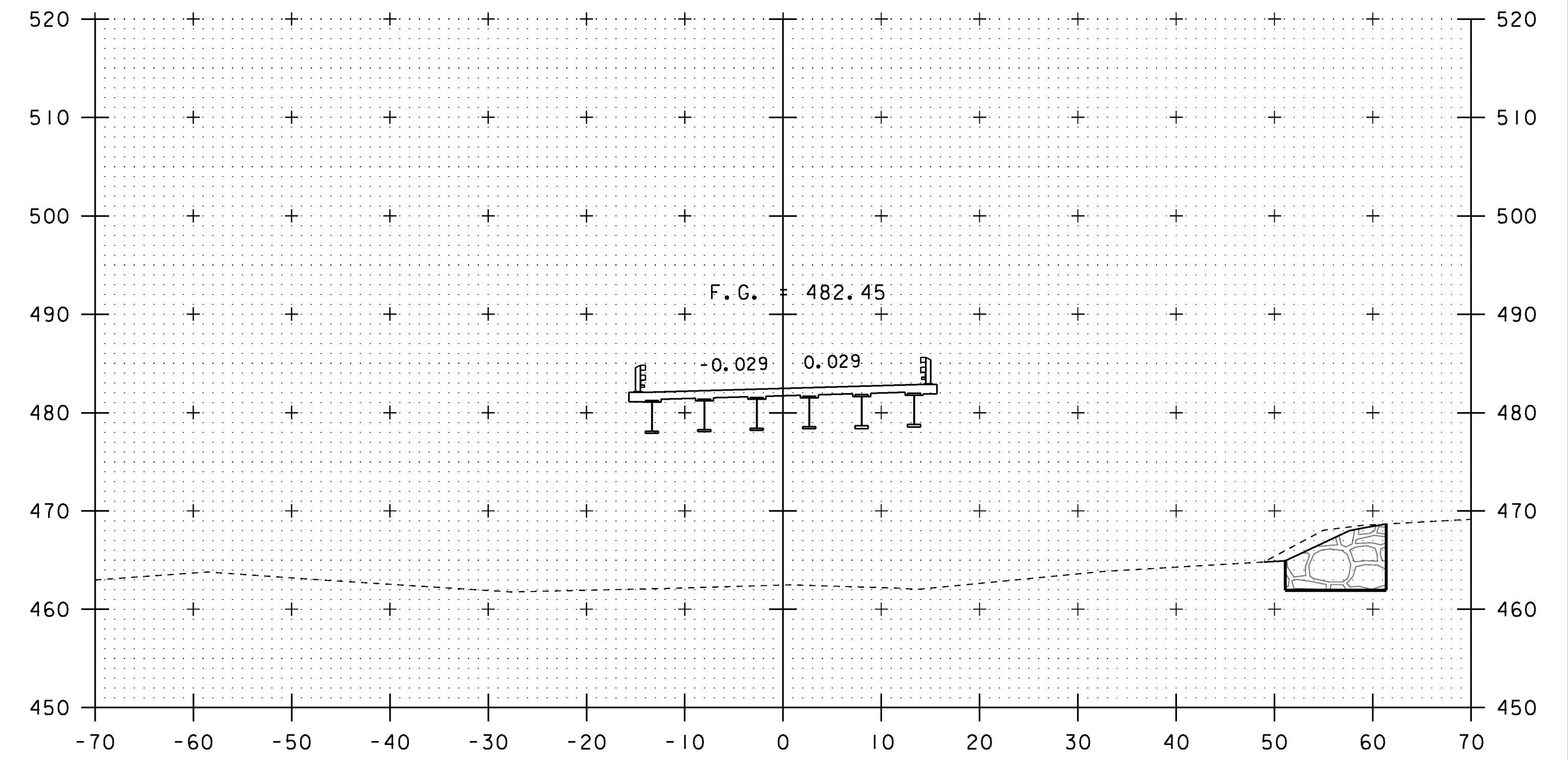
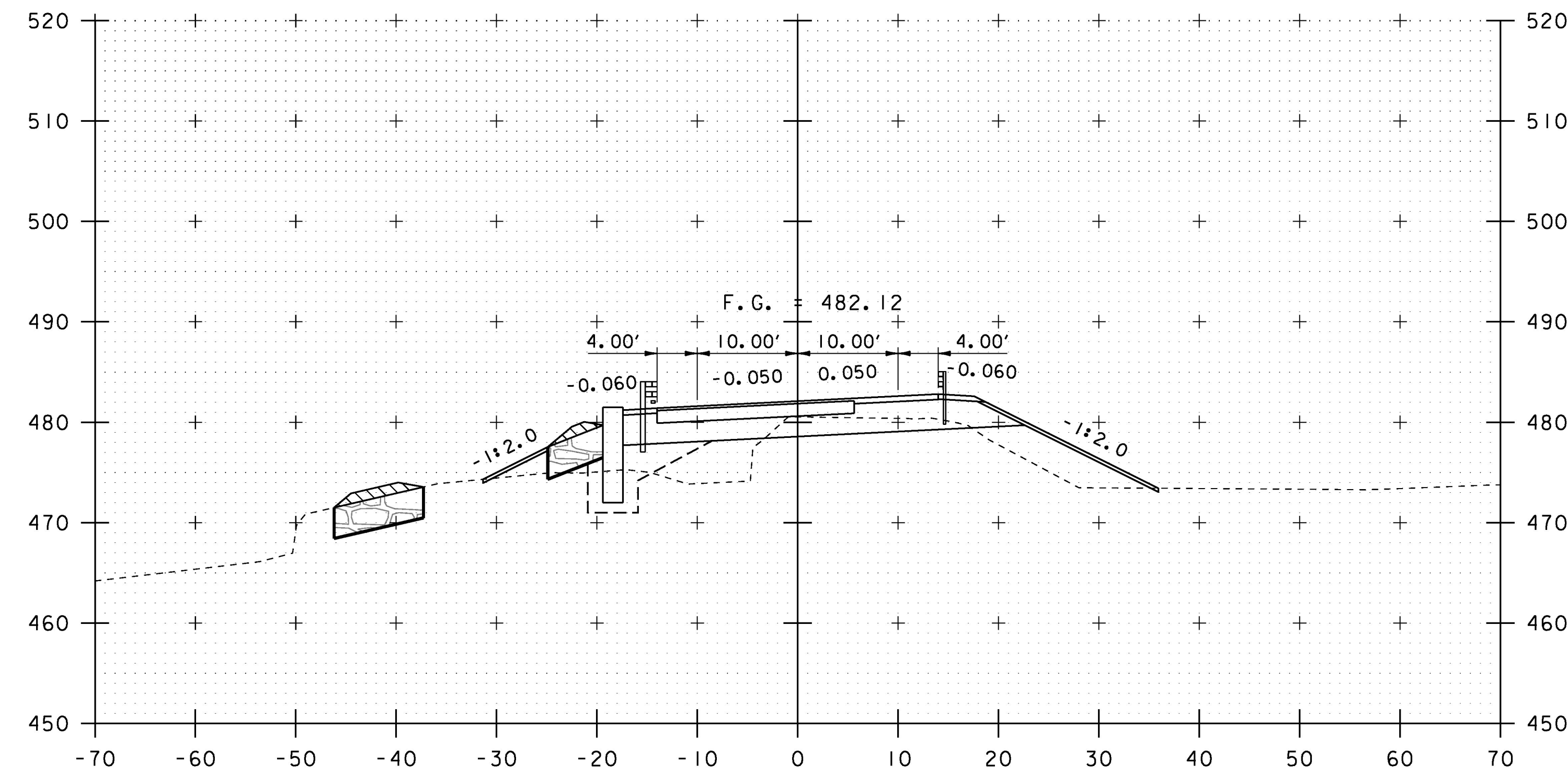


14+00

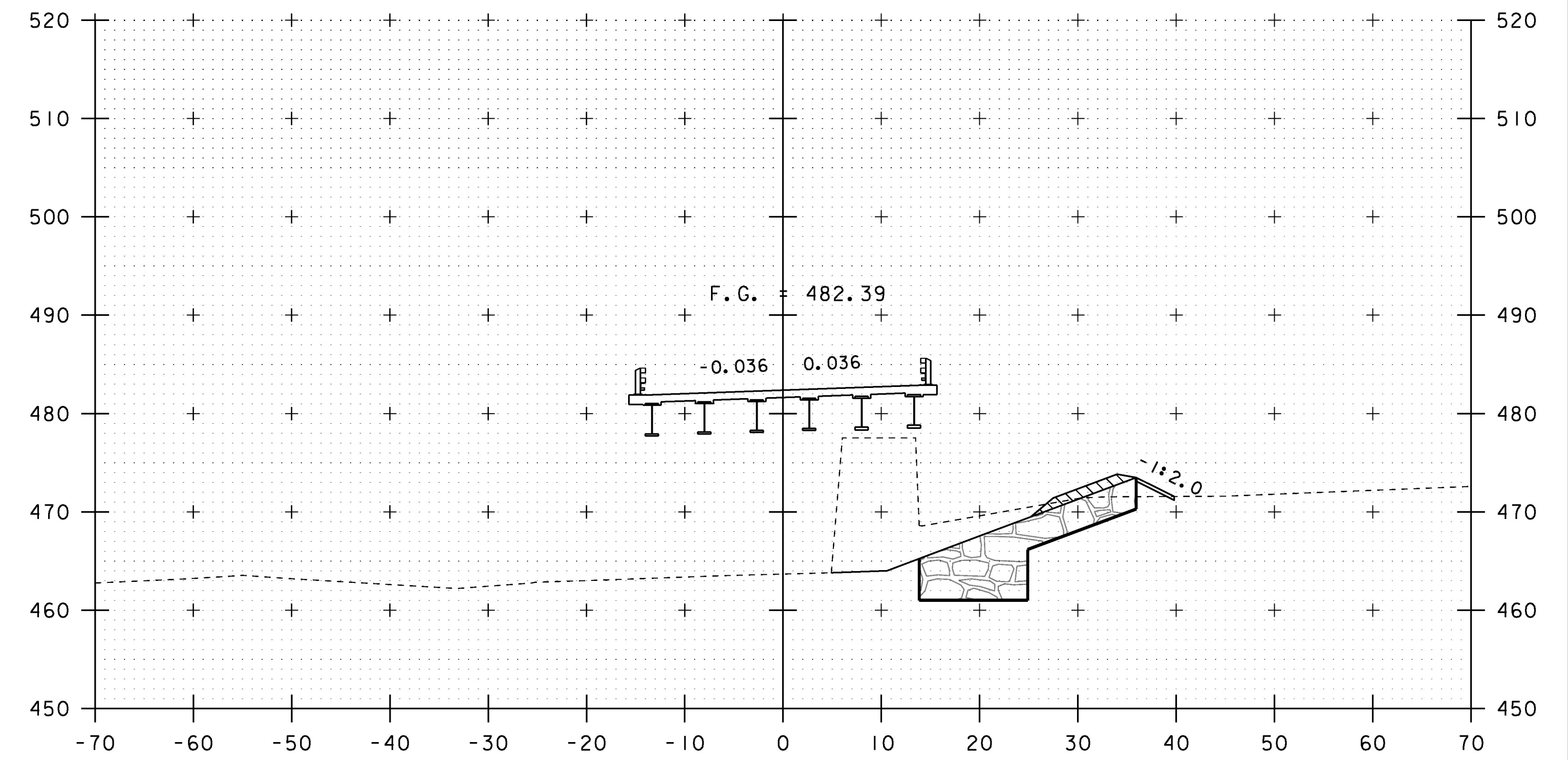
STA 13+91.43
BEGIN BRIDGE



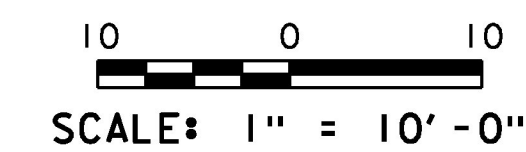
14+50



13+75



14+25



STA. 13+75 TO STA. 14+50

PROJECT NAME: BRADFORD	PLOT DATE: 15-SEP-2016
PROJECT NUMBER: BF 0191 (29)	DRAWN BY: G. ROY
FILE NAME: s13c054xsl.dgn	CHECKED BY: M. EVANS-MONGEON
PROJECT LEADER: C. CARLSON	SHEET 45 OF 71
DESIGNED BY: G. ROY	
VT 25B CROSS SECTION (4)	