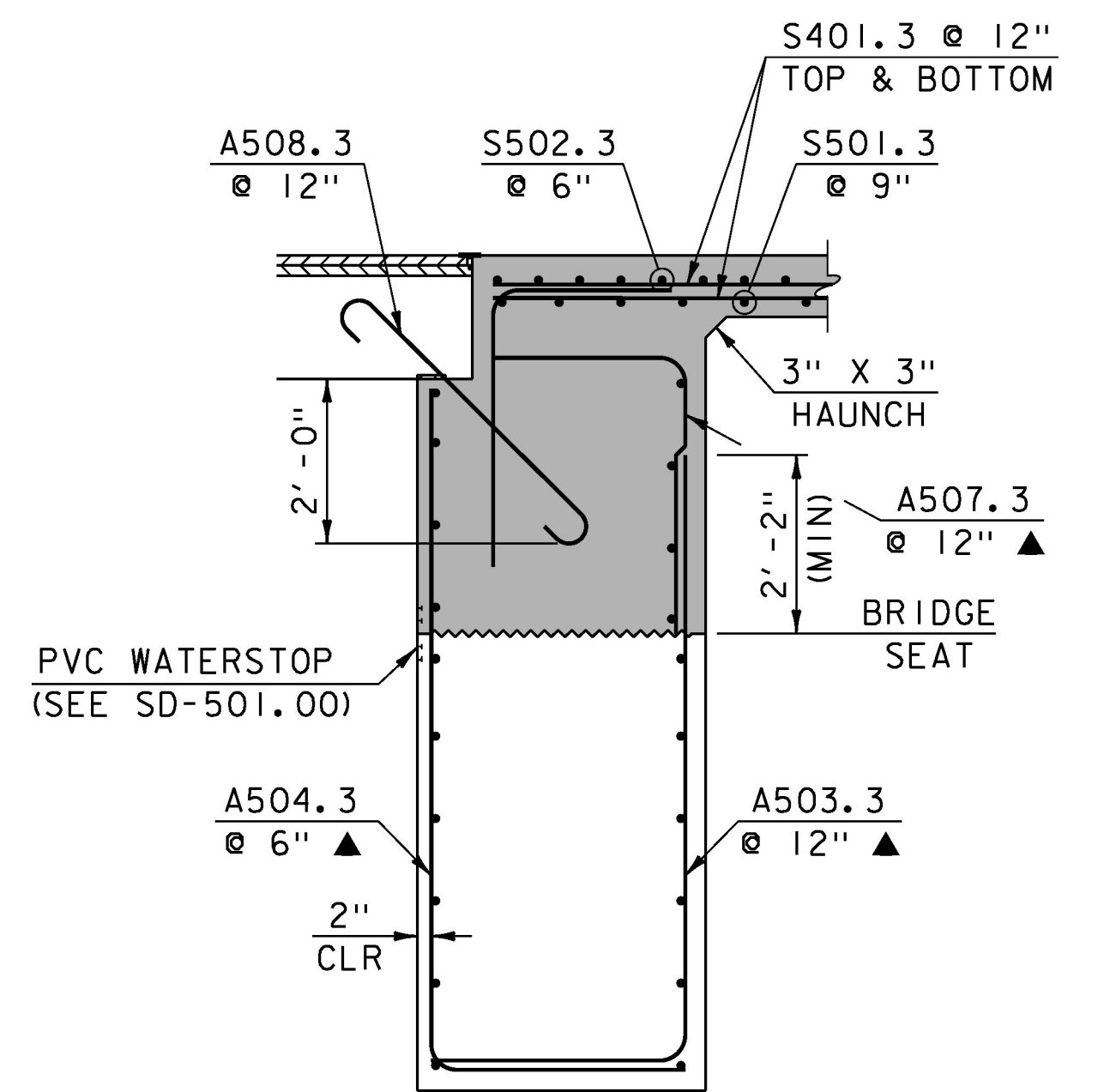
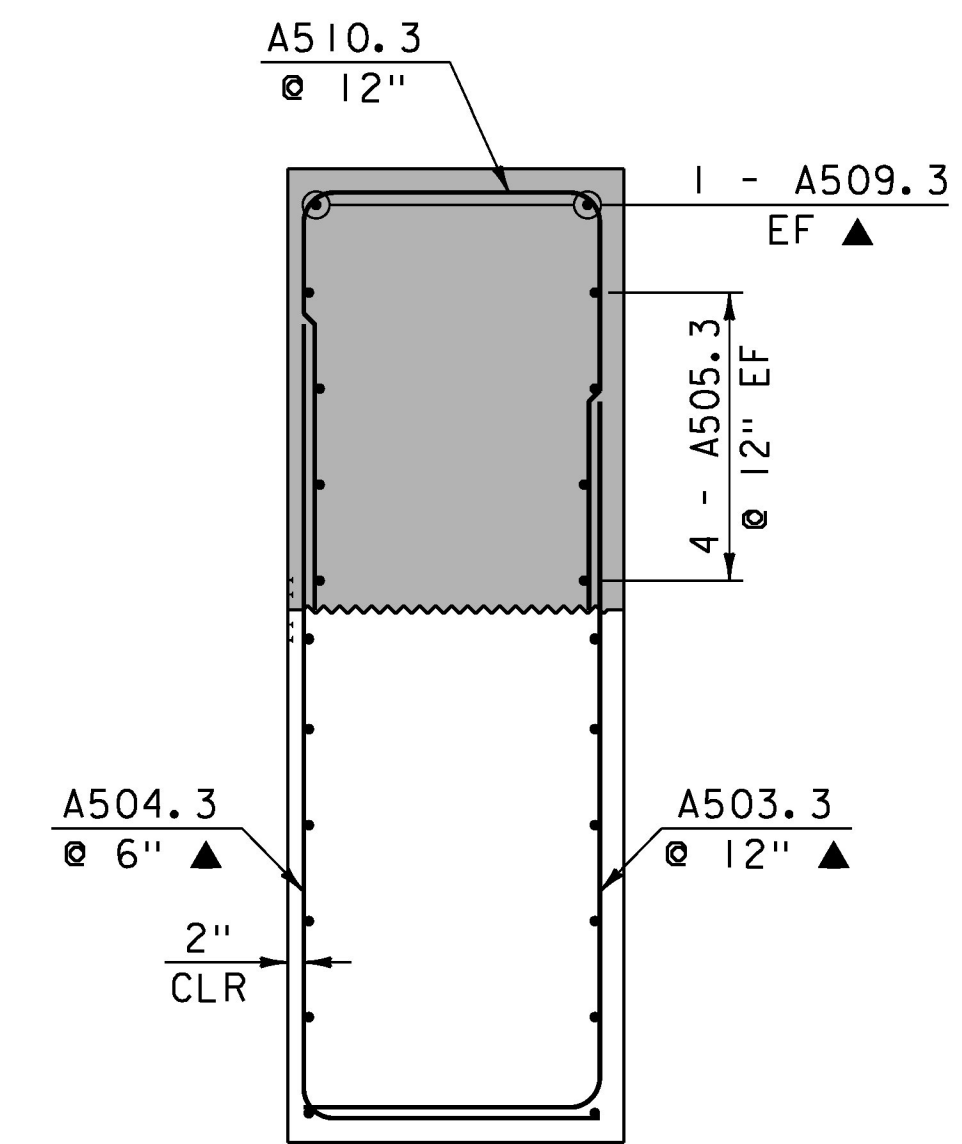


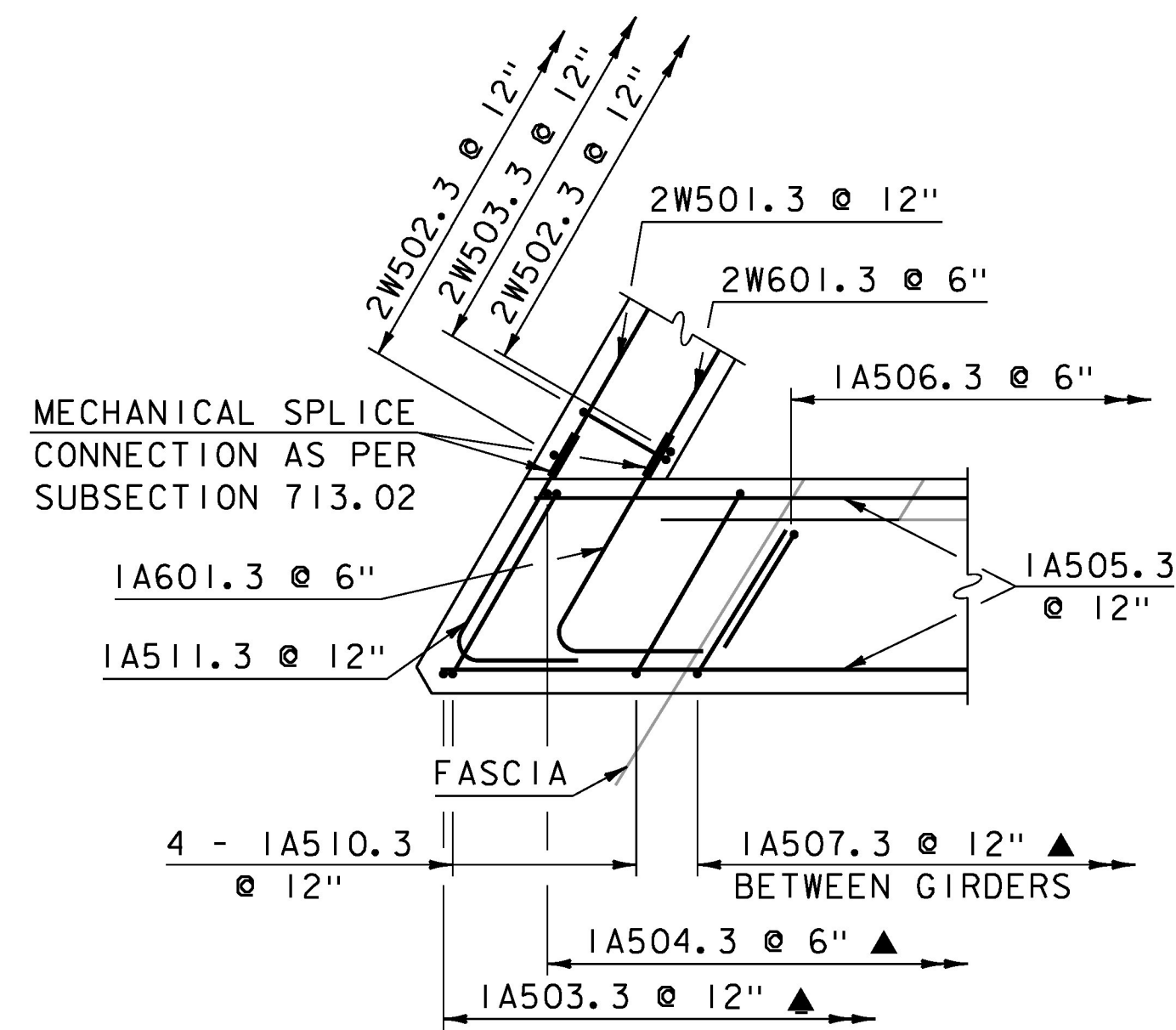
**ABUTMENT TYPICAL SECTION
AT GIRDER LOCATION**
SCALE: 1/2" = 1'-0"



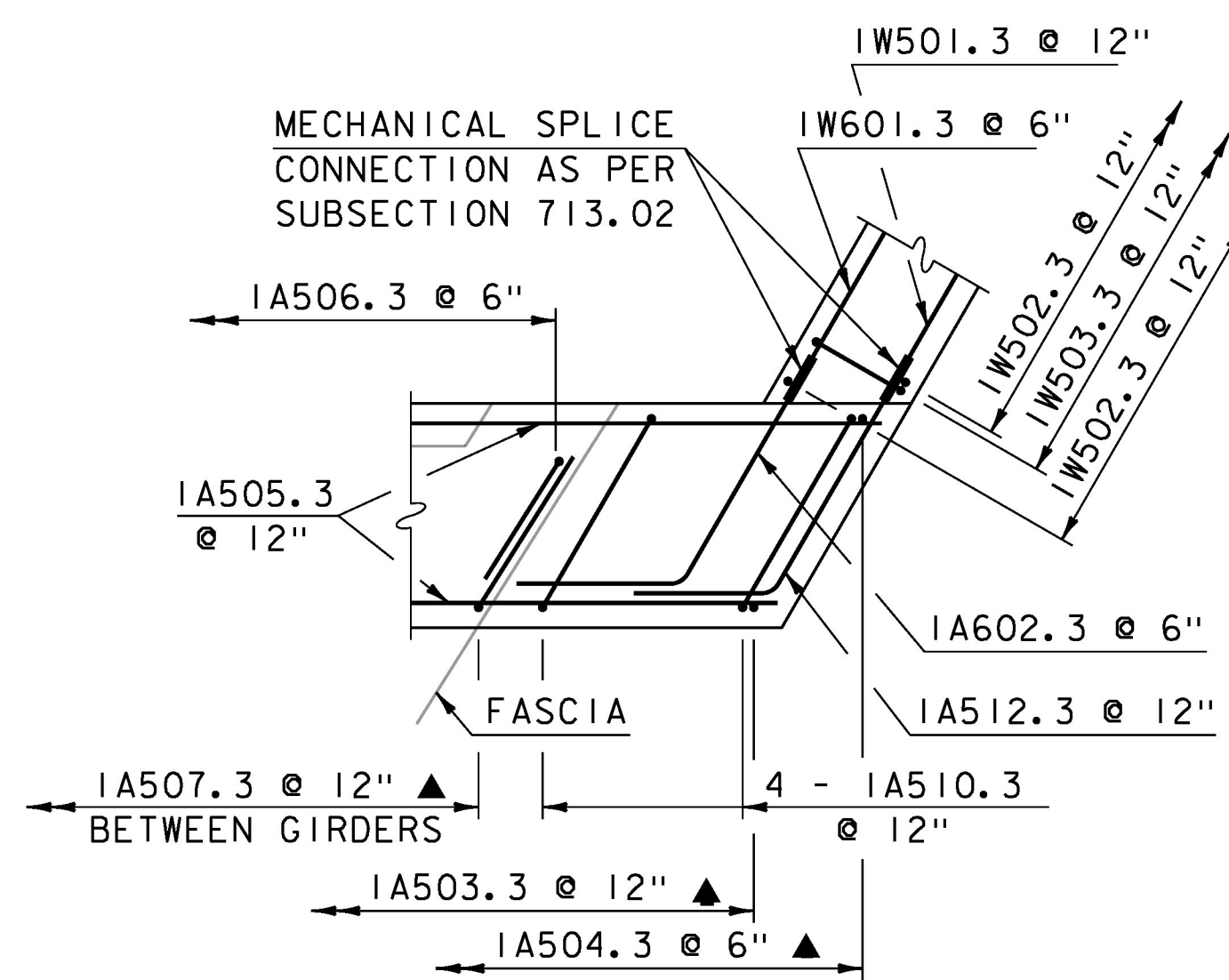
**ABUTMENT TYPICAL SECTION
BETWEEN GIRDERS**
SCALE: 1/2" = 1'-0"



**ABUTMENT TYPICAL SECTION
OUTSIDE FASCIA LOCATION**
SCALE: 1/2" = 1'-0"



**WINGWALL NO. 2 CORNER
DETAIL ABOVE BRIDGE SEAT**
SCALE: 3/8" = 1'-0"
(WINGWALL NO. 3 SIMILAR)



**WINGWALL NO. 1 CORNER
DETAIL ABOVE BRIDGE SEAT**
SCALE: 3/8" = 1'-0"
(WINGWALL NO. 4 SIMILAR)

NOTE:
NF = NEAR FACE
FF = FAR FACE
EF = EACH FACE
▲ = CUT TO FIT IN FIELD
3" CLR. UNLESS OTHERWISE NOTED
2'-2" BAR LAP UNLESS OTHERWISE NOTED

PROJECT NAME:	BRADFORD
PROJECT NUMBER:	BF 0191 (29)
FILE NAME:	sl3c054sub.dgn
PROJECT LEADER:	C. CARLSON
DESIGNED BY:	M. EVANS-MONGEON
ABUTMENT TYPICAL SECTIONS & WINGWALL CORNER DETAILS SHEET	39 OF 71
PLOT DATE:	15-SEP-2016
DRAWN BY:	G. ROY
CHECKED BY:	M. EVANS-MONGEON