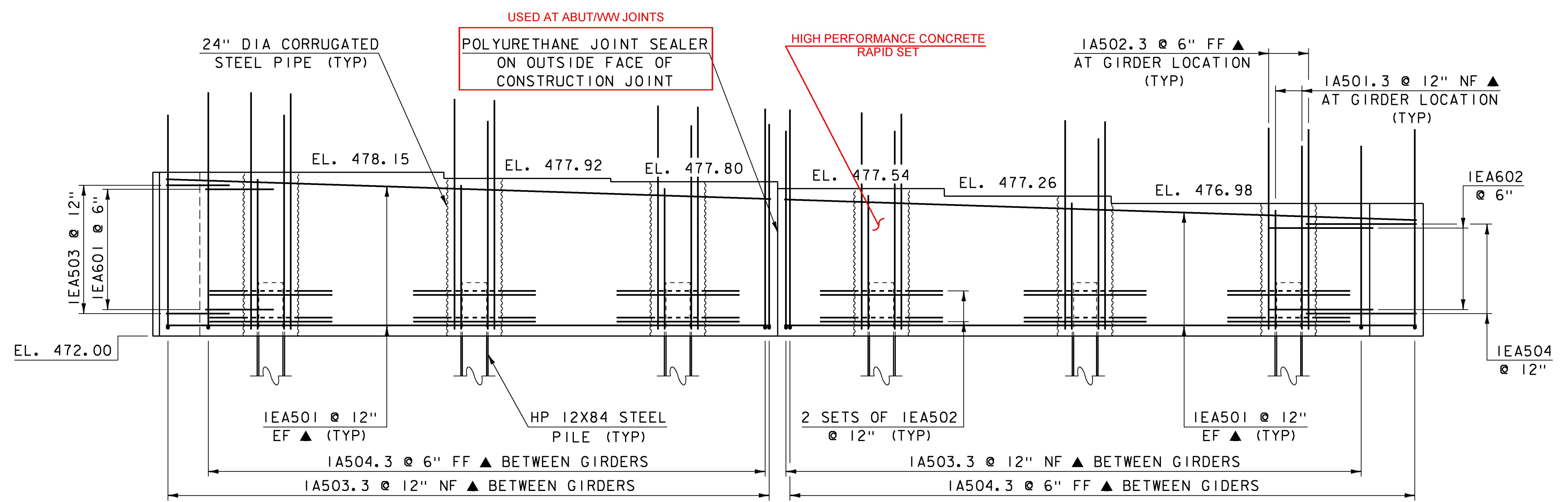


PRECAST ABUTMENT NO. 1 REINFORCING PLAN
SCALE: 3/8" = 1'-0"



PRECAST ABUTMENT NO. 1 ELEVATION
SCALE: 3/8" = 1'-0"

NOTE:
 NF = NEAR FACE
 FF = FAR FACE
 EF = EACH FACE
 ▲ = CUT TO FIT IN FIELD
 3" CLR. UNLESS OTHERWISE NOTED
 2'-2" BAR LAP UNLESS OTHERWISE NOTED

PROJECT NAME: BRADFORD	PLOT DATE: 02-NOV-2016
PROJECT NUMBER: BF 0191 (29)	DRAWN BY: G. ROY
FILE NAME: s13c054sub.dgn	CHECKED BY: M. EVANS-MONGEON
PROJECT LEADER: C. CARLSON	SHEET 36 OF 71
DESIGNED BY: M. EVANS-MONGEON	
PRECAST ABUTMENT NO. 1 DETAILS	