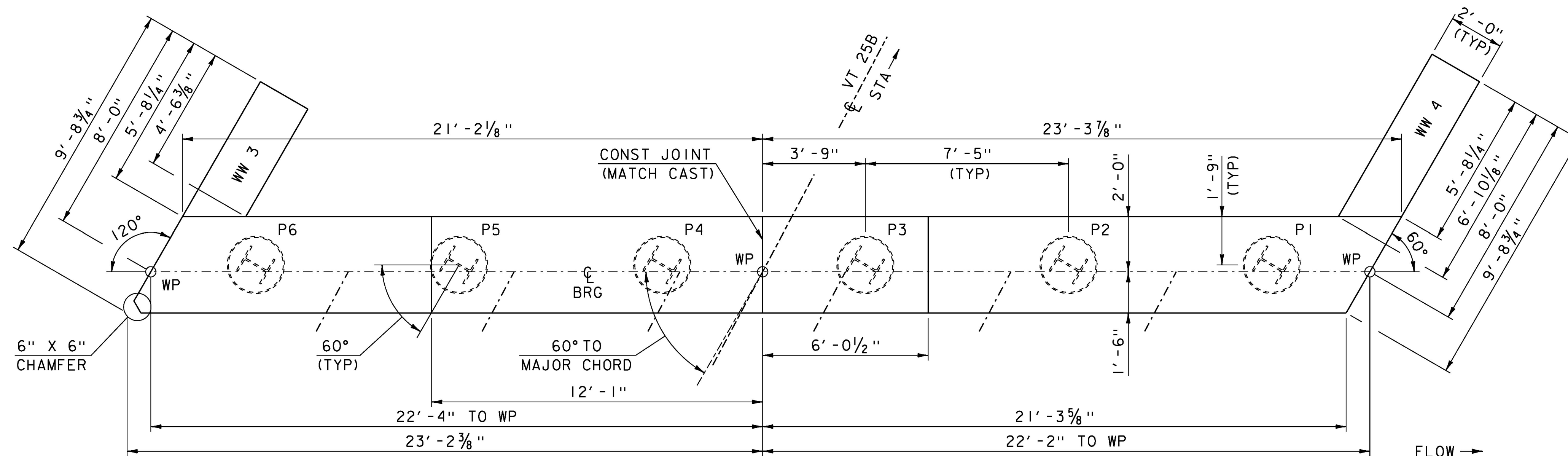


PRECAST ABUTMENT NO. 1 PLAN

SCALE: $\frac{3}{8}$ " = 1'-0"

LENGTH
P1 - 68.21'
P2 - 66.71'
P3 - 62.08'
P4 - 64.42'
P5 - 66.00'
P6 - 65.33'



PRECAST ABUTMENT NO. 2 PLAN

SCALE: $\frac{3}{8}$ " = 1'-0"

LENGTH
P1 - 75.17'
P2 - 74.08'
P3 - 69.08'
P4 - 75.67'
P5 - 100.17'
P6 - 27.08'

| | |
|-------------------------------|------------------------------|
| PROJECT NAME: BRADFORD | PLOT DATE: 15-SEP-2016 |
| PROJECT NUMBER: BF 0191 (29) | DRAWN BY: G. ROY |
| FILE NAME: sl3c054sub.dgn | CHECKED BY: M. EVANS-MONGEON |
| PROJECT LEADER: C. CARLSON | SHEET 35 OF 71 |
| DESIGNED BY: M. EVANS-MONGEON | |
| PRECAST ABUTMENT PLANS | |