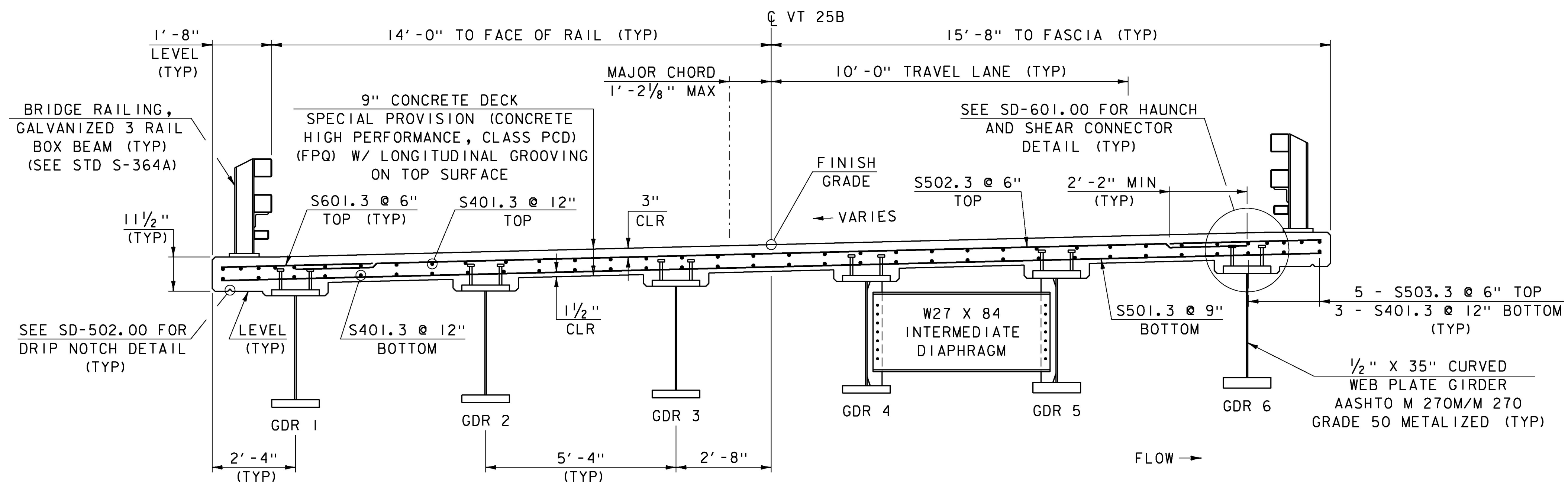


DECK REINFORCING PLAN
SCALE: 1/8" = 1'-0"



BRIDGE TYPICAL SECTION
SCALE: 1/2" = 1'-0"

NOTE:
▲ = CUT TO FIT IN FIELD
3" CLEAR UNLESS OTHERWISE NOTED
2' - 2" BAR LAP UNLESS OTHERWISE NOTED

PROJECT NAME: BRADFORD	PLOT DATE: 02-NOV-2016
PROJECT NUMBER: BF 0191 (29)	DRAWN BY: G. ROY
FILE NAME: sl3c054sup.dgn	DESIGNED BY: M. EVANS-MONGEON
PROJECT LEADER: C. CARLSON	CHECKED BY: M. EVANS-MONGEON
BRIDGE DECK DETAILS	SHEET 30 OF 71