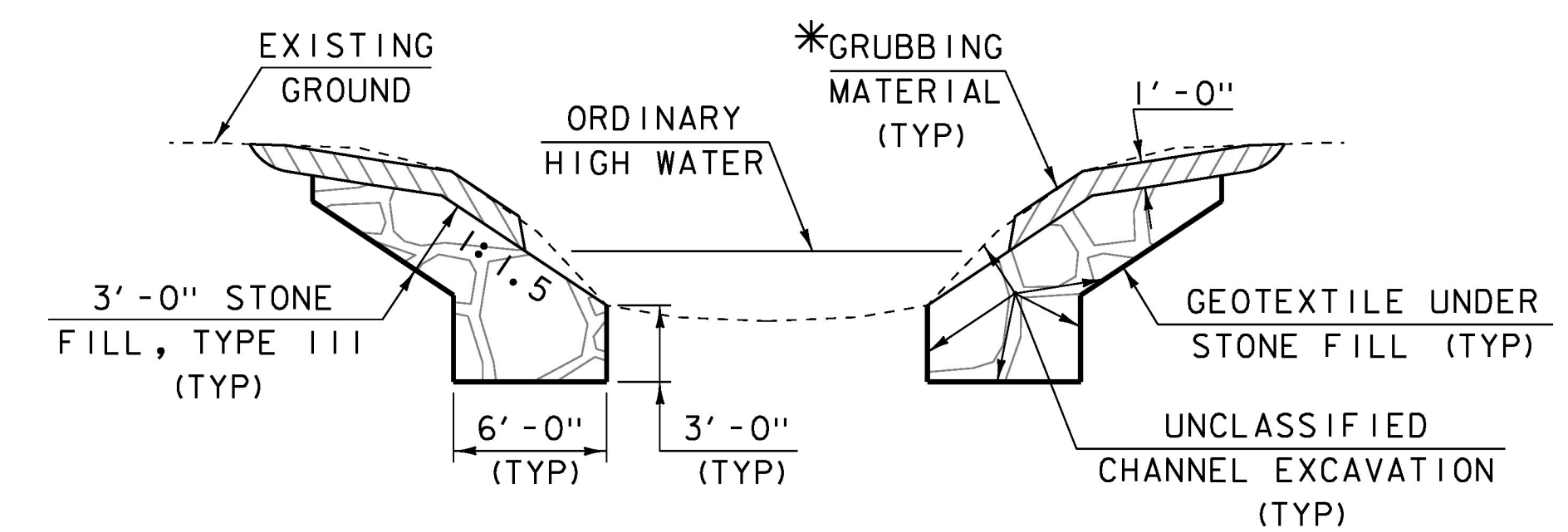


ABUTMENT TYPICAL SECTION
(NOT TO SCALE)



CHANNEL TYPICAL SECTION
(NOT TO SCALE)

*WHENEVER CHANNEL SLOPE INTERSECTS ROADWAY SUBBASE, GRUBBING MATERIAL SHALL BEGIN AT THE BOTTOM OF SUBBASE.

PROJECT NAME: BRADFORD	PLOT DATE: 15-SEP-2016
PROJECT NUMBER: BF 0191 (29)	DRAWN BY: G. ROY
FILE NAME: s13c054+yp.dgn	CHECKED BY: M. EVANS-MONGEON
PROJECT LEADER: C. CARLSON	SHEET 4 OF 71
DESIGNED BY: G. ROY	
TYPICAL SECTIONS (2)	