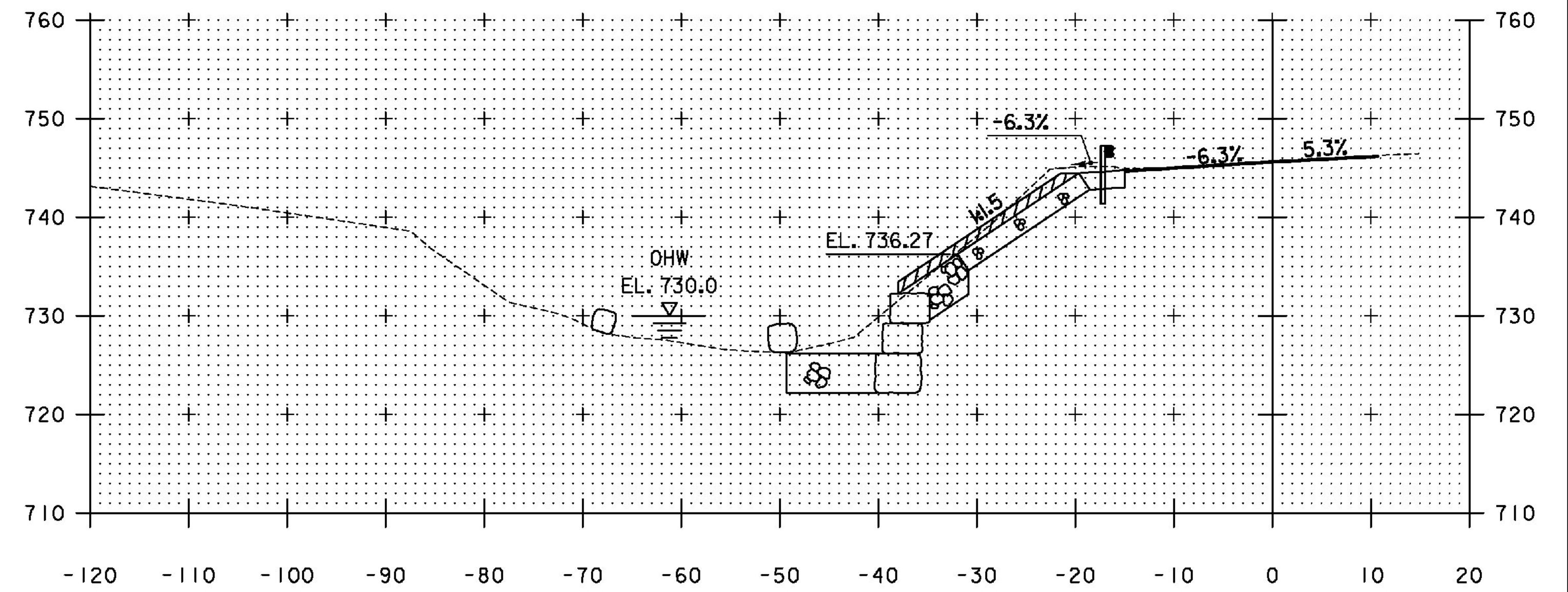
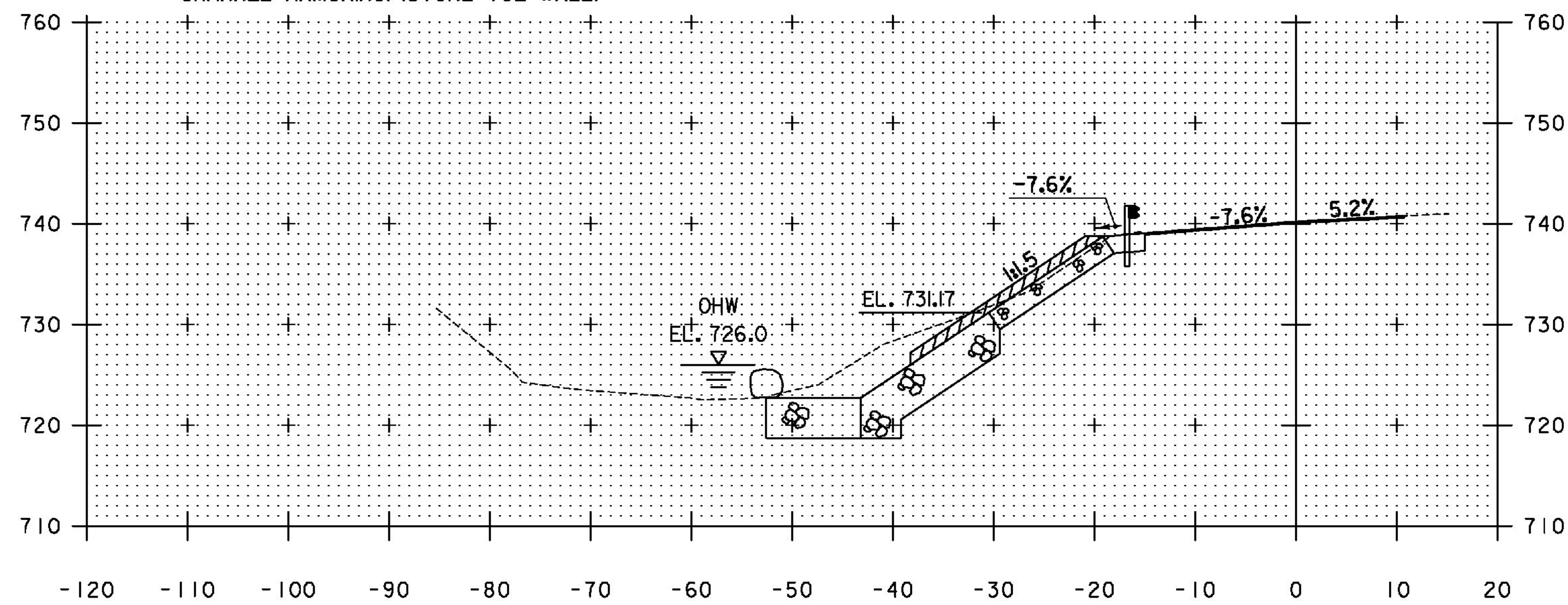


STA. 114+25.00 LT
 BEGIN SPECIAL PROVISION (RIPRAP,
 CHANNEL ARMORING) (STONE TOE WALL)

114+50

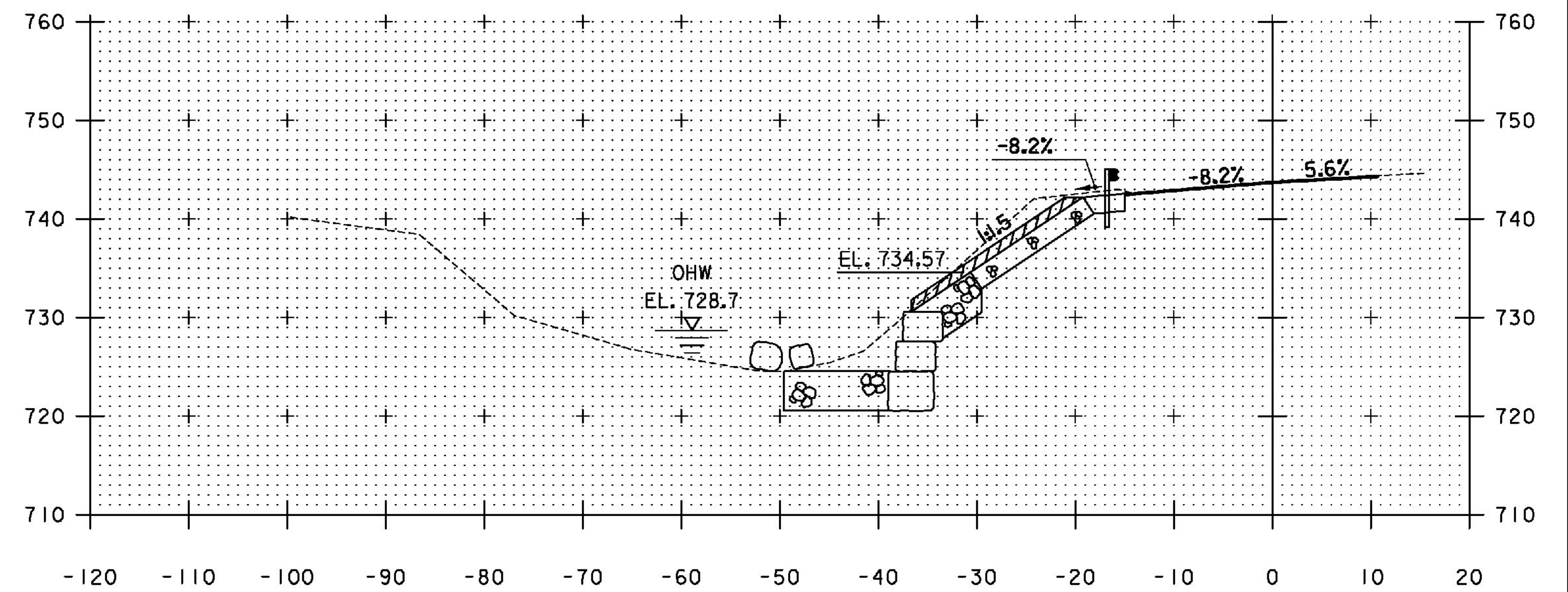


115+50



STA. 113+75.00 LT
 BEGIN GRUBBING MATERIAL
 STA. 113+75.00
 BEGIN SPECIAL PROVISION (RIPRAP,
 CHANNEL ARMORING) (NATURAL RIVER
 BOULDERS)
 STA. 113+75.00
 BEGIN STONE FILL, TYPE II
 STA. 113+75.00
 BEGIN STONE FILL, TYPE IV

114+00
 BEGIN PROJECT
 STA. 113+75.00
 MATCH EXISTING PAVEMENT
 STA. 113+70.00
 LIMIT OF WORK



115+00

STA. 114+00 TO STA. 115+50

TYLIN INTERNATIONAL

PROJECT NAME: WOODSTOCK
 PROJECT NUMBER: ER 024(40)

FILE NAME: z13c014XS.dgn
 PROJECT LEADER: D. BRYANT
 DESIGNED BY: T. KELLEY
 VT ROUTE 12 CROSS SECTION SHEET 1

PLOT DATE: 2/4/2015
 DRAWN BY: T. KELLEY
 CHECKED BY: D. BRYANT
 SHEET 21 OF 27