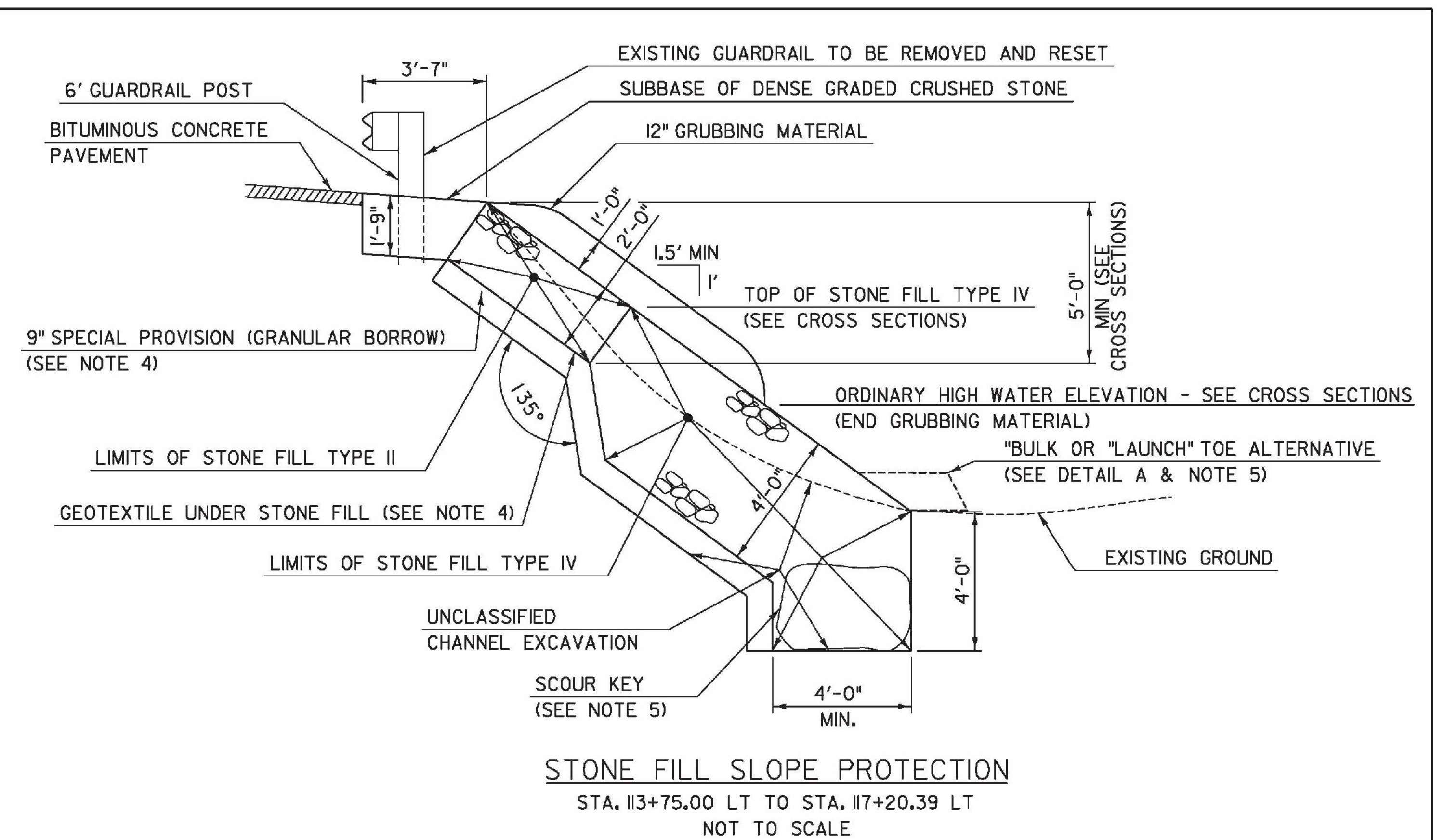


STONE FILL SLOPE PROTECTION WITH STONE TOE WALL

STA. 114+25.00 LT TO STA. 116+25.00 LT
NOT TO SCALE



STONE FILL SLOPE PROTECTION

STA. 113+75.00 LT TO STA. 117+20.39 LT
NOT TO SCALE

NOTES FOR STONE FILL SLOPE PROTECTION WITH OR WITHOUT STONE TOE WALL

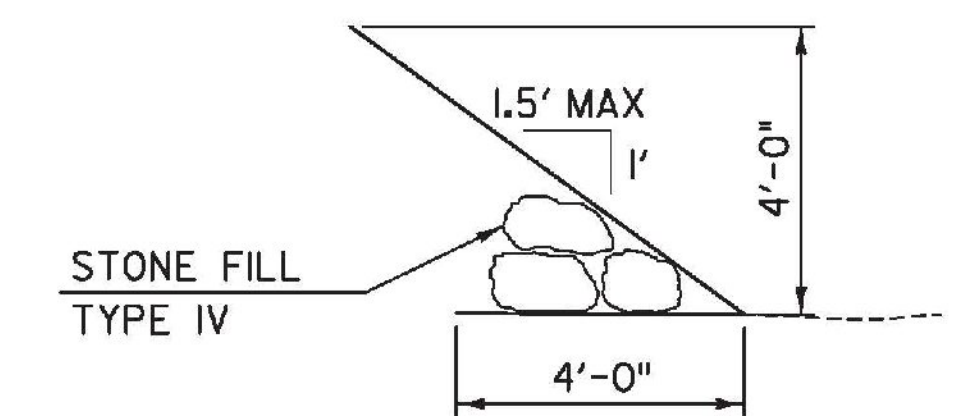
- FOOTER ROCK SHALL BE EMBEDDED BELOW THE CHANNEL A MINIMUM OF 4'-0" OR ON BEDROCK.
- CONTRACTOR SHALL SELECT AND PLACE INDIVIDUAL STONES TO MAXIMIZE CONTACT WITH ADJACENT STONES. DUMPING OF STONES IS NOT PERMITTED. ENGINEER SHALL HAVE FINAL APPROVAL OF STONE SELECTION AND PLACEMENT.
- THE STONE SLOPE SHALL BE NO STEEPER THAN 1.0 V TO 1.5 H (TYP.) UNLESS DIRECTED BY THE ENGINEER.
- ITEM 649.31, GEOTEXTILE UNDER STONE FILL AND/OR ITEM 900.608 SPECIAL PROVISION (GRANULAR BORROW) IS TO BE PLACED UNDER STONE FILL. GEOTEXTILE SHALL ONLY BE USED AT THE TOP 5 FEET OF ANY SLOPE. THE STONE FILL SHALL BE PLACED SUCH THAT MIGRATION OF THE GRANULAR BORROW DOES NOT OCCUR.

NOTES FOR STONE FILL SLOPE PROTECTION WITHOUT STONE TOE WALL

- "BULK" OR "LAUNCH" TOE MAY BE USED INSTEAD OF SCOUR KEY ONLY IF DIRECTED BY THE ENGINEER, AND ONLY IN CASES WHERE ADDITIONAL ENCHROACHMENT IS ACCEPTABLE AND INSTALLATION OF KEY IS IMPRACTICAL.

NOTES FOR STONE FILL SLOPE PROTECTION WITH STONE TOE WALL

- THE PRINCIPLE DIMENSION OF FOOTER ROCK SHALL BE GREATER THAN 5'-0" WITH THE LEAST DIMENSION AT LEAST 1/3 THE LONGEST DIMENSION. STONE USED AS FOOTER ROCK SHALL BE ANGULAR. UPON APPROVAL BY THE ENGINEER, ROUGH, UNHEWN QUARRY STONE MAY BE USED. THE STONES SHALL BE HARD, SOUND AND RESISTANT TO THE ACTION OF WATER AND WEATHERING. THEY SHALL BE OF A ROCK TYPE OTHER THAN SERPENTINE ROCK CONTAINING THE FIBROUS VARIETY OF CHRYSOTILE (ASBESTOS).
- WALL SHALL BE CONSTRUCTED WITH STAGGERED JOINTS BETWEEN COURSES.
- TO EXTENT PRACTICAL, STONES SHALL SLOPE DOWNWARD INTO THE EMBANKMENT TO BETTER RESIST SLIDING.



DETAIL A

"BULK" OR "LAUNCH" TOE DETAIL
(SEE NOTE 5)

TYLININTERNATIONAL

PROJECT NAME: WOODSTOCK
PROJECT NUMBER: ER 0241(40)

FILE NAME: z13c014detall.dgn
PROJECT LEADER: D. BRYANT
DESIGNED BY: D. BRYANT
DETAIL SHEET 1

PLOT DATE: 2/12/2015
DRAWN BY: P. MCCLURE
CHECKED BY: D. BURHANS
SHEET 5 OF 27