

TEMPORARY 4 INCH WHITE LINE, PAINT
 (ALL LINES WILL INCLUDE EDGE LINE BREAKS AND RADIUS FOR TOWN HIGHWAYS)

MIDDLEBURY:
 MM 4.002 - MM 4.153 LT & RT
 MM 4.002 - MM 4.027 LT, SOLID LINE (LANE LINE)
 MM 4.002 - MM 4.038 LT, SOLID LINE (LANE LINE)
 MM 4.027 - MM 4.056 LT, DOTTED LINE
 MM 4.038 - MM 4.063 LT, DOTTED LINE
 MM 4.038 - MM 4.063 RT, DOTTED LINE
 MM 4.063 - MM 4.089 RT, SOLID LINE (LANE LINE)
 MM 4.096 LT, T-20 (LANE LINE)
 MM 4.104 - MM 4.128 LT, SOLID LINE (LANE LINE)
 MM 4.128 - MM 4.153 LT, DOTTED LINE

DURABLE 4 INCH WHITE LINE, POLYUREA
 (ALL LINES WILL INCLUDE EDGE LINE BREAKS AND RADIUS FOR TOWN HIGHWAYS)

MIDDLEBURY:
 MM 4.002 - MM 4.153 LT & RT
 MM 4.002 - MM 4.027 LT, SOLID LINE (LANE LINE)
 MM 4.002 - MM 4.038 LT, SOLID LINE (LANE LINE)
 MM 4.027 - MM 4.056 LT, DOTTED LINE
 MM 4.038 - MM 4.063 LT, DOTTED LINE
 MM 4.038 - MM 4.063 RT, DOTTED LINE
 MM 4.063 - MM 4.089 RT, SOLID LINE (LANE LINE)
 MM 4.096 LT, T-20 (LANE LINE)
 MM 4.104 - MM 4.128 LT, SOLID LINE (LANE LINE)
 MM 4.128 - MM 4.153 LT, DOTTED LINE

TEMPORARY 4 INCH YELLOW LINE, PAINT

(ALL LINES WILL INCLUDE C/L BREAKS FOR TOWN HIGHWAYS) S=SOLID, D=DASHED
 MIDDLEBURY:
 MM 4.063 - MM 4.153 LT C RT S
 MM 4.063 - MM 4.153 S - S
 MM 4.002 - MM 4.027 DOUBLE SOLID LT & RT
 MM 4.027 - MM 4.056 DOUBLE SOLID LT & RT (MEDIAN)
 MM 4.063 - MM 4.089 DOUBLE SOLID LT
 MM 4.104 - MM 4.153 DOUBLE SOLID LT & RT (MEDIAN)
 MM 4.059 DOUBLE SOLID RT, T-15

DURABLE 4 INCH YELLOW LINE, POLYUREA

(ALL LINES WILL INCLUDE C/L BREAKS FOR TOWN HIGHWAYS) S=SOLID, D=DASHED
 MIDDLEBURY:
 MM 4.063 - MM 4.153 LT C RT S
 MM 4.063 - MM 4.153 S - S
 MM 4.002 - MM 4.027 DOUBLE SOLID LT & RT
 MM 4.027 - MM 4.056 DOUBLE SOLID LT & RT (MEDIAN)
 MM 4.063 - MM 4.089 DOUBLE SOLID LT
 MM 4.104 - MM 4.153 DOUBLE SOLID LT & RT (MEDIAN)
 MM 4.059 DOUBLE SOLID RT, T-15

TEMPORARY 8 INCH YELLOW LINE, PAINT

MIDDLEBURY:
 MM 4.027 - MM 4.056 LT, (DIAGONALS MEDIAN) (153 FT)
 MM 4.104 - MM 4.153 RT, (DIAGONALS MEDIAN) (259 FT)

DURABLE 8 INCH YELLOW LINE, POLYUREA

MIDDLEBURY:
 MM 4.027 - MM 4.056 LT, (DIAGONALS MEDIAN) (153 FT)
 MM 4.104 - MM 4.153 RT, (DIAGONALS MEDIAN) (259 FT)

TEMPORARY 24 INCH STOP BAR, PAINT

MIDDLEBURY:
 MM 4.059 RT, T-15
 MM 4.089 RT
 MM 4.104 LT

DURABLE 24 INCH STOP BAR (SEE OPTIONS)

MIDDLEBURY:
 MM 4.059 RT, T-15
 MM 4.089 RT
 MM 4.104 LT

TEMPORARY LETTER OR SYMBOL, PAINT

MIDDLEBURY:
 MM 4.003 LT, "O,N,L,Y" (4 EA)
 MM 4.003 RT, "O,N,L,Y" (4 EA)
 MM 4.010 LT, ARROW (1EA)
 MM 4.010 RT, ARROW (1EA)
 MM 4.020 LT, "O,N,L,Y" (4 EA)
 MM 4.020 RT, "O,N,L,Y" (4 EA)
 MM 4.026 LT, ARROW (1EA)
 MM 4.026 RT, ARROW (1EA)
 MM 4.064 RT, "S,T,O,P" (4 EA) TH-15
 MM 4.064 RT, ARROW (1EA)
 MM 4.076 RT, "O,N,L,Y" (4 EA)
 MM 4.088 RT, ARROW (1EA)
 MM 4.105 LT, ARROW (1EA)
 MM 4.116 LT, "O,N,L,Y" (4 EA)
 MM 4.128 LT, ARROW (1EA)

DURABLE LETTER OR SYMBOL (OPTION BID ITEM)

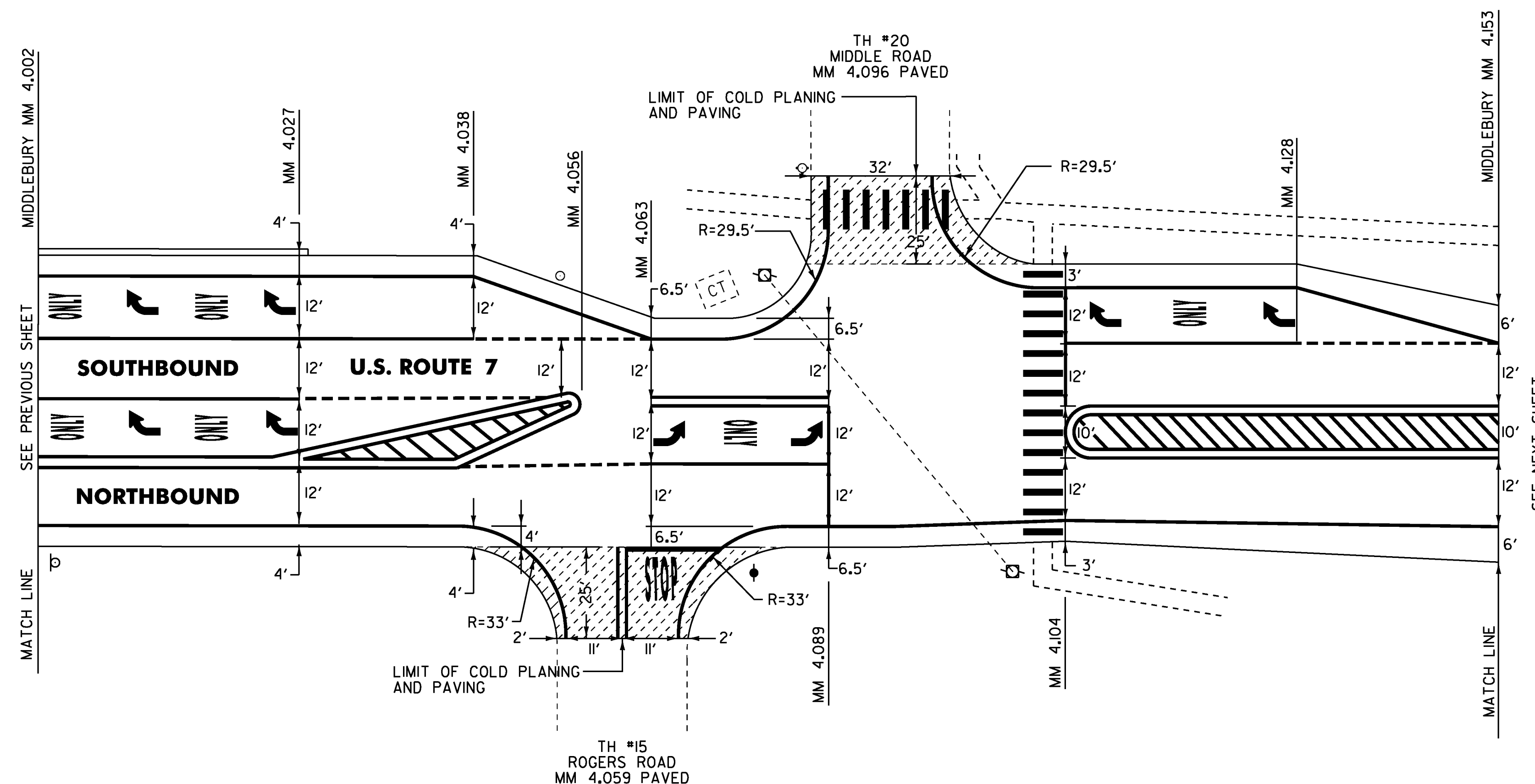
MIDDLEBURY:
 MM 4.003 LT, "O,N,L,Y" (4 EA)
 MM 4.003 RT, "O,N,L,Y" (4 EA)
 MM 4.010 LT, ARROW (1EA)
 MM 4.010 RT, ARROW (1EA)
 MM 4.020 LT, "O,N,L,Y" (4 EA)
 MM 4.020 RT, "O,N,L,Y" (4 EA)
 MM 4.026 LT, ARROW (1EA)
 MM 4.026 RT, ARROW (1EA)
 MM 4.064 RT, "S,T,O,P" (4 EA) TH-15
 MM 4.064 RT, ARROW (1EA)
 MM 4.076 RT, "O,N,L,Y" (4 EA)
 MM 4.088 RT, ARROW (1EA)
 MM 4.105 LT, ARROW (1EA)
 MM 4.116 LT, "O,N,L,Y" (4 EA)
 MM 4.128 LT, ARROW (1EA)

TEMPORARY CROSSWALK MARKING, PAINT

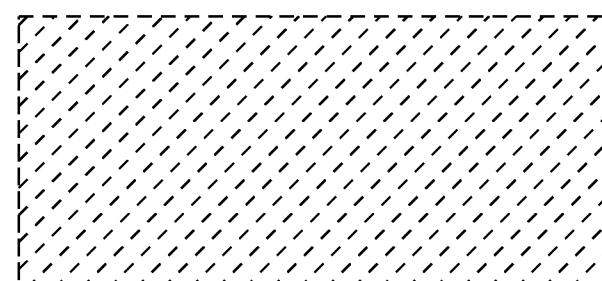
MIDDLEBURY:
 MM 4.096 LT, T-20
 MM 4.103

DURABLE CROSSWALK MARKING (OPTION BID ITEM)

MIDDLEBURY:
 MM 4.096 LT, T-20
 MM 4.103



LEGEND: COLD PLANE AREA



NOTES:

- 1) SEE TYPICAL MARKINGS FOR TURN LANES ON LAYOUT SHEET 13.
- 2) SEE TRAFFIC SIGNAL SYSTEMS SHEET 22 NOTE 6 BEFORE COLD PLANING.

NOT TO SCALE

PROJECT NAME: BRANDON - MIDDLEBURY

PROJECT NUMBER: NH SURF(43)

FILE NAME: p13B616-Brandon-Middlebury.dgn PLOT DATE: 10-JUN-2014

PROJECT LEADER: M. FOWLER

DESIGNED BY: N. PAPPAS

LAYOUT SHEET 11

DRAWN BY: N. PAPPAS

CHECKED BY: M. FOWLER

SHEET 18 OF 28