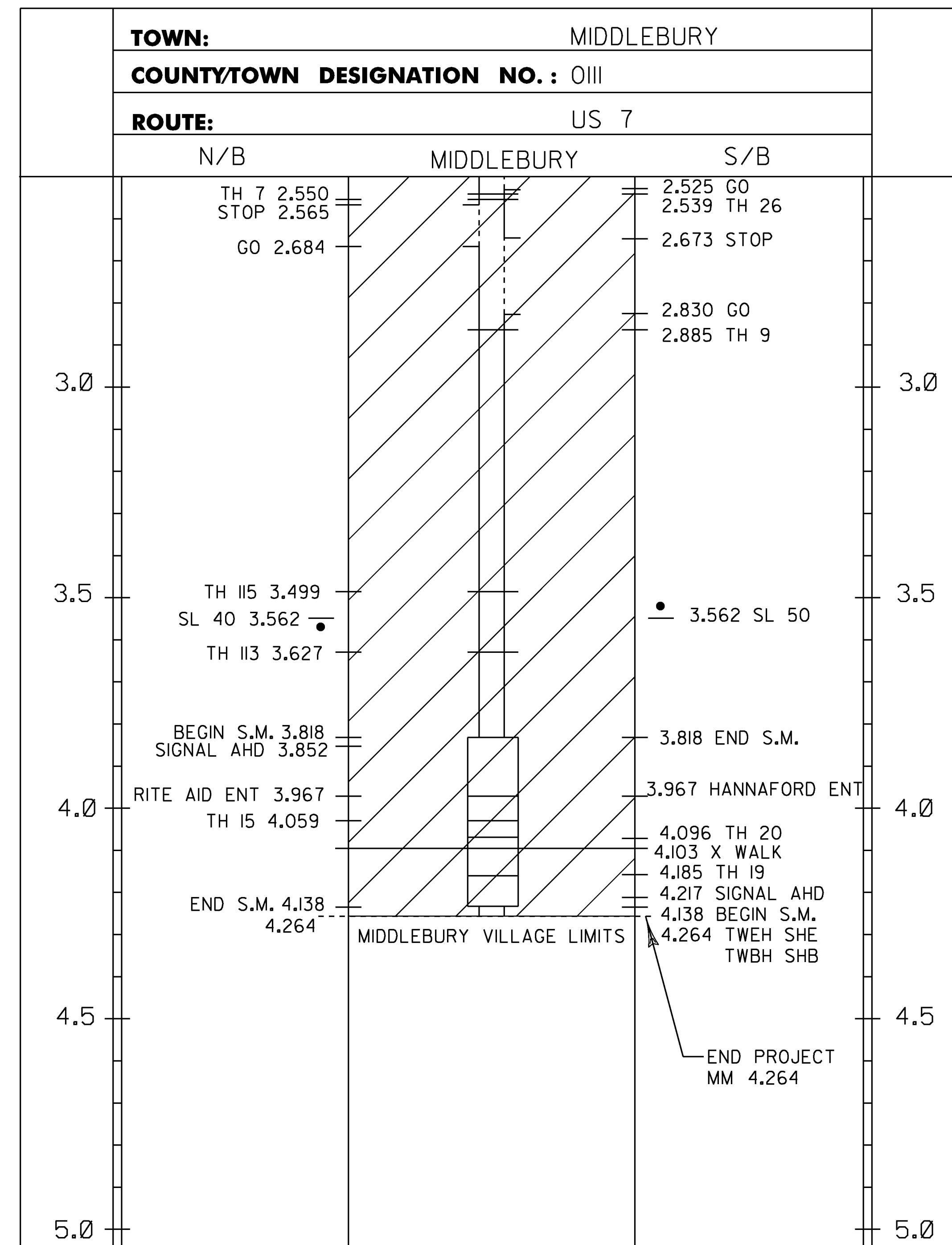
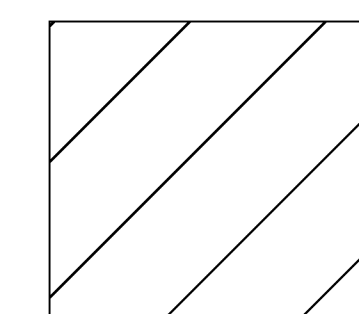


DURABLE 4 INCH WHITE LINE, POLYUREA  
MM 0.000 - MM 4.264 LT & RT  
(WITH BREAKS OR RADII AT TOWN HIGHWAYS)

DURABLE 4 INCH YELLOW LINE, POLYUREA  
MM 0.000 - MM 0.131 SOLID LT & DASHED RT  
MM 1.131 - MM 0.175 DASHED RT  
MM 0.175 - MM 0.365 LT & SOLID RT  
MM 0.365 - MM 0.533 SOLID LT & DASHED RT  
MM 0.533 - MM 0.620 DASHED RT  
MM 0.620 - MM 0.735 DASHED LT & SOLID RT  
MM 0.735 - MM 1.480 SOLID LT & RT  
MM 1.480 - MM 1.580 SOLID LT & DASHED RT  
MM 1.580 - MM 1.610 DASHED RT  
MM 1.610 - MM 1.710 DASHED LT & SOLID RT  
MM 1.710 - MM 1.860 SOLID LT & RT  
MM 1.860 - MM 2.005 SOLID LT & DASHED RT  
MM 2.005 - MM 2.045 DASHED RT  
MM 2.045 - MM 2.145 DASHED LT & SOLID RT  
MM 2.145 - MM 2.175 SOLID LT & RT  
MM 2.175 - MM 2.286 SOLID LT & DASHED RT  
MM 2.286 - MM 2.405 DASHED RT  
MM 2.405 - MM 2.525 DASHED LT & SOLID RT  
MM 2.525 - MM 2.565 SOLID LT & RT  
MM 2.565 - MM 2.673 SOLID LT & DASHED RT  
MM 2.673 - MM 2.684 DASHED LT & RT  
MM 2.684 - MM 2.830 DASHED LT & SOLID RT  
MM 2.830 - MM 4.264 SOLID LT & RT  
(WITH CENTERLINE BREAKS AT TOWN HIGHWAYS)



**LEGEND**  
TWBH-THROUGHWAY BEGINS HERE  
TWEH-THROUGHWAY ENDS HERE  
SHB-STATE HIGHWAY BEGINS  
SHE-STATE HIGHWAY ENDS  
SL-SPEED LIMIT  
T/L-TOWN LINE  
SM-SPECIAL MARKINGS



PROJECT AREA

NOTES:  
1. THIS SHEET TO BE USED FOR THE LAYOUT OF ALL CENTERLINE PAVEMENT MARKINGS.  
THE RESIDENT ENGINEER MAY CONTACT KEITH SWEET, PAVEMENT MARKING SUPERVISOR  
AT (802) 828-5573 FOR ASSISTANCE LAYING OUT THE CENTERLINE DURING CONSTRUCTION.

**NOT TO SCALE**

PROJECT NAME:	BRANDON - MIDDLEBURY
PROJECT NUMBER:	NH SURF(43)
FILE NAME:	pl3B6I6_Brandon-Middlebury.dgn
PROJECT LEADER:	M. FOWLER
DESIGNED BY:	N. PAPPAS
LAYOUT SHEET	4
PLLOT DATE:	02-JUN-2014
DRAWN BY:	N. PAPPAS
CHECKED BY:	M. FOWLER
SHEET	II
OF	28