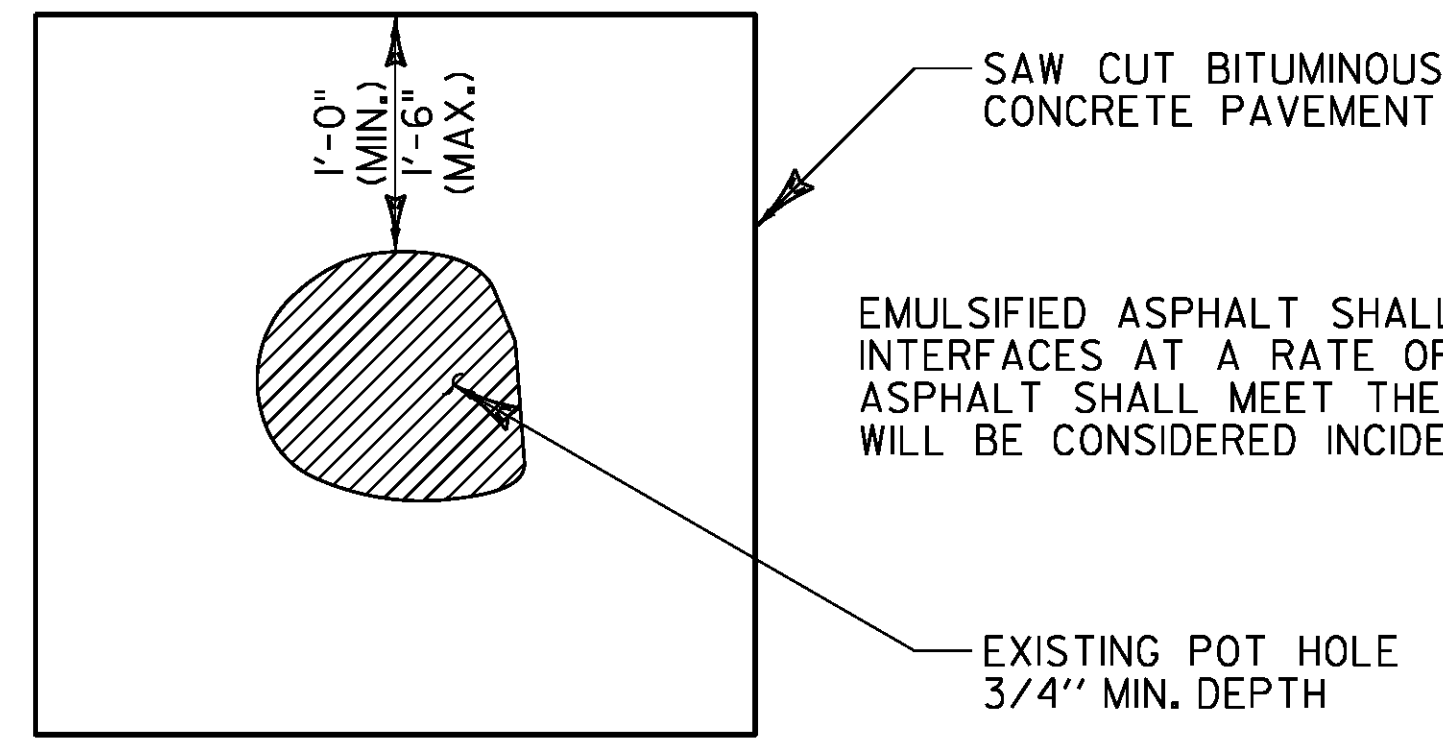
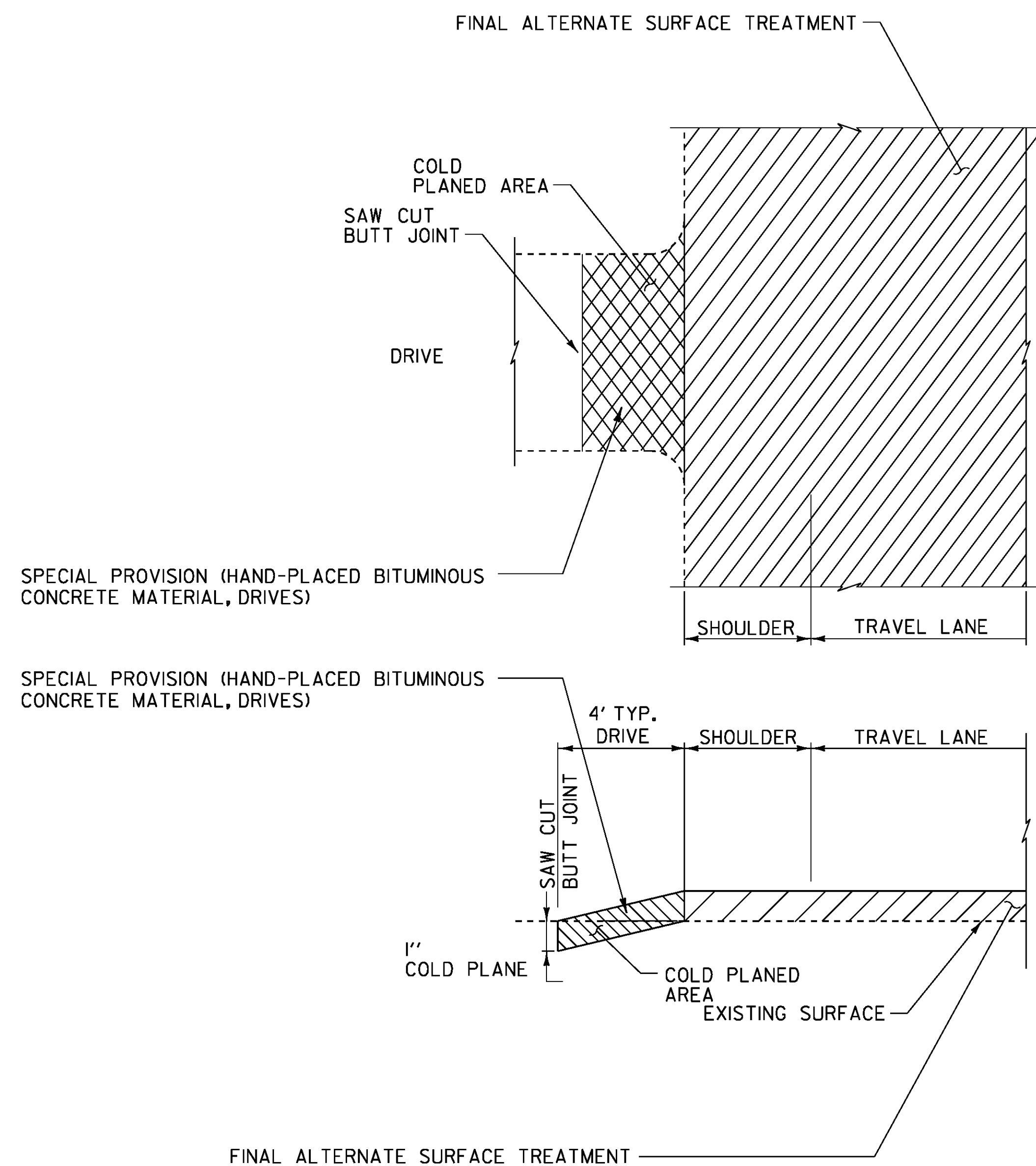


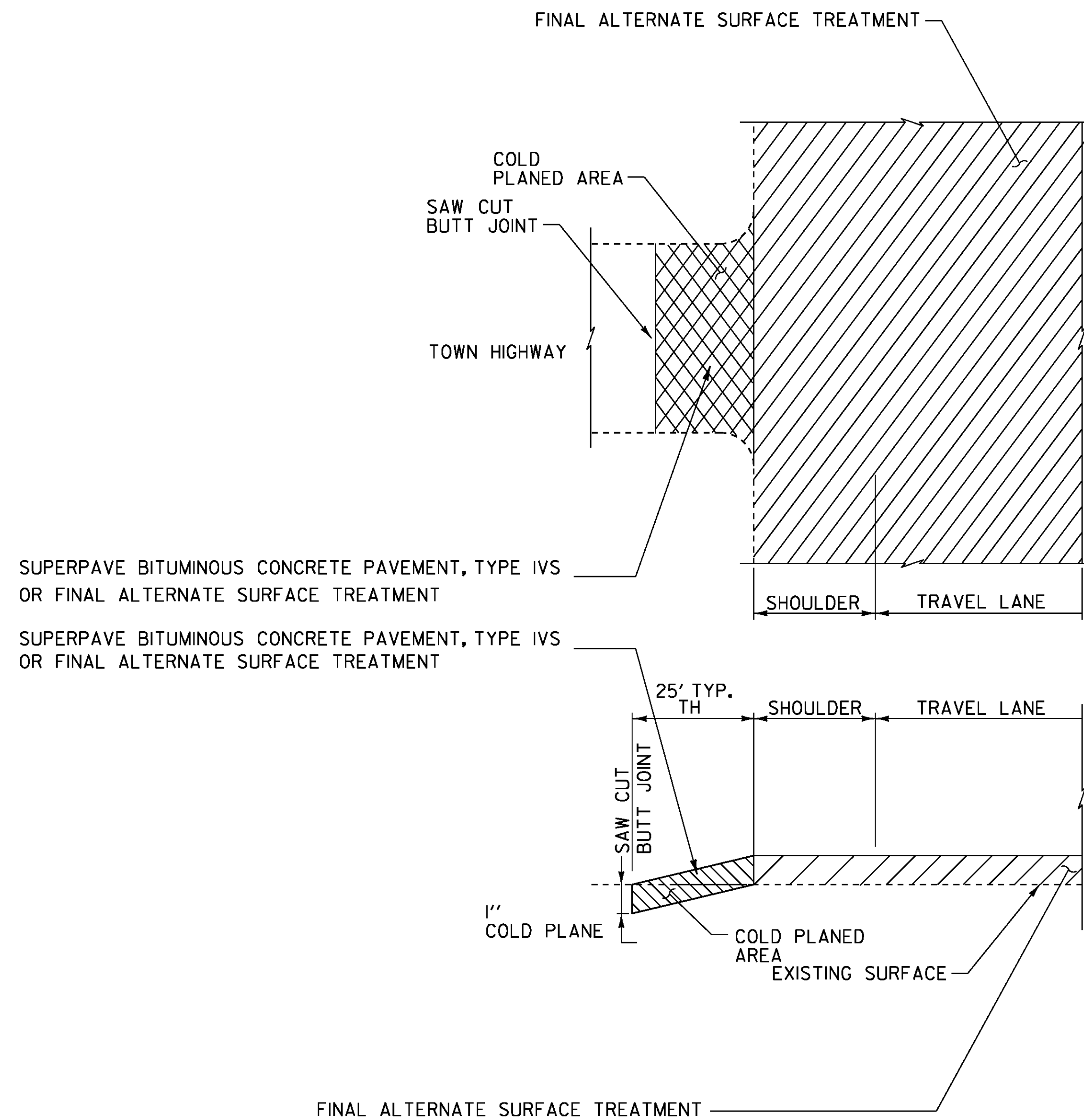
COLD PLANE DETAIL AT BEGIN/END PROJECT



TYPICAL - POT HOLE REPAIR
NOT TO SCALE



COLD PLANE DETAILS AT DRIVES



COLD PLANE DETAILS AT TOWN HIGHWAYS AND AT VT 346

NOT TO SCALE

**PROJECT
COLD PLANE
DETAILS**

PROJECT NAME:	POWNAI - BENNINGTON
PROJECT NUMBER:	NH SURF (42)
FILE NAME:	I3b592\pl3b592.dgn
PROJECT LEADER:	FOWLER
DESIGNED BY:	LOCKE
IPARM FILE NAME:	pl3b592_04.t
PLOT DATE:	02-APR-2014
DRAWN BY:	LOCKE
CHECKED BY:	PAVT MGMT
SHEET	4 OF 23