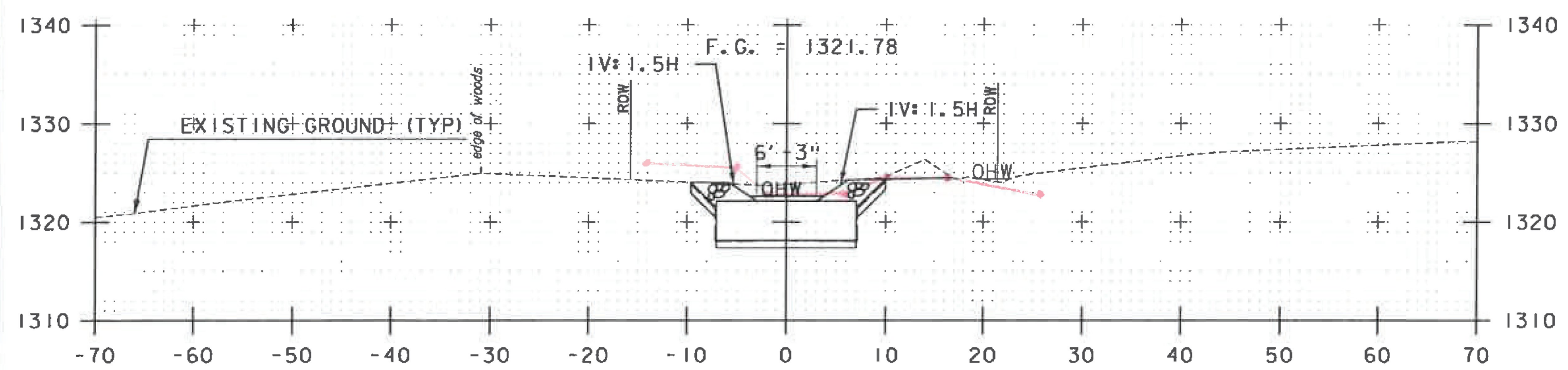
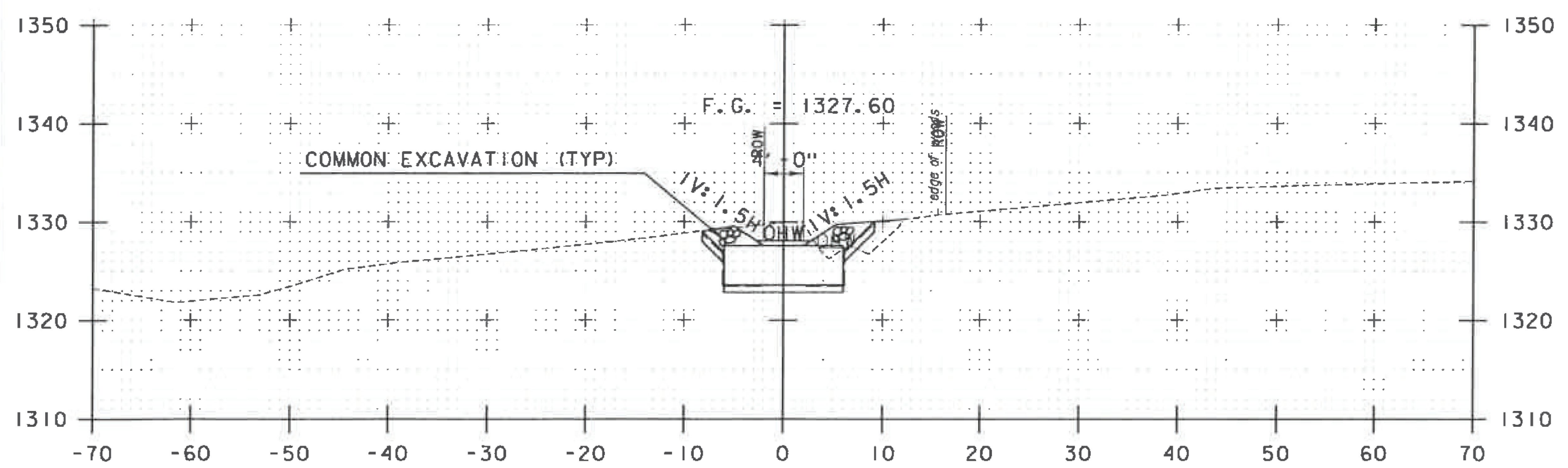


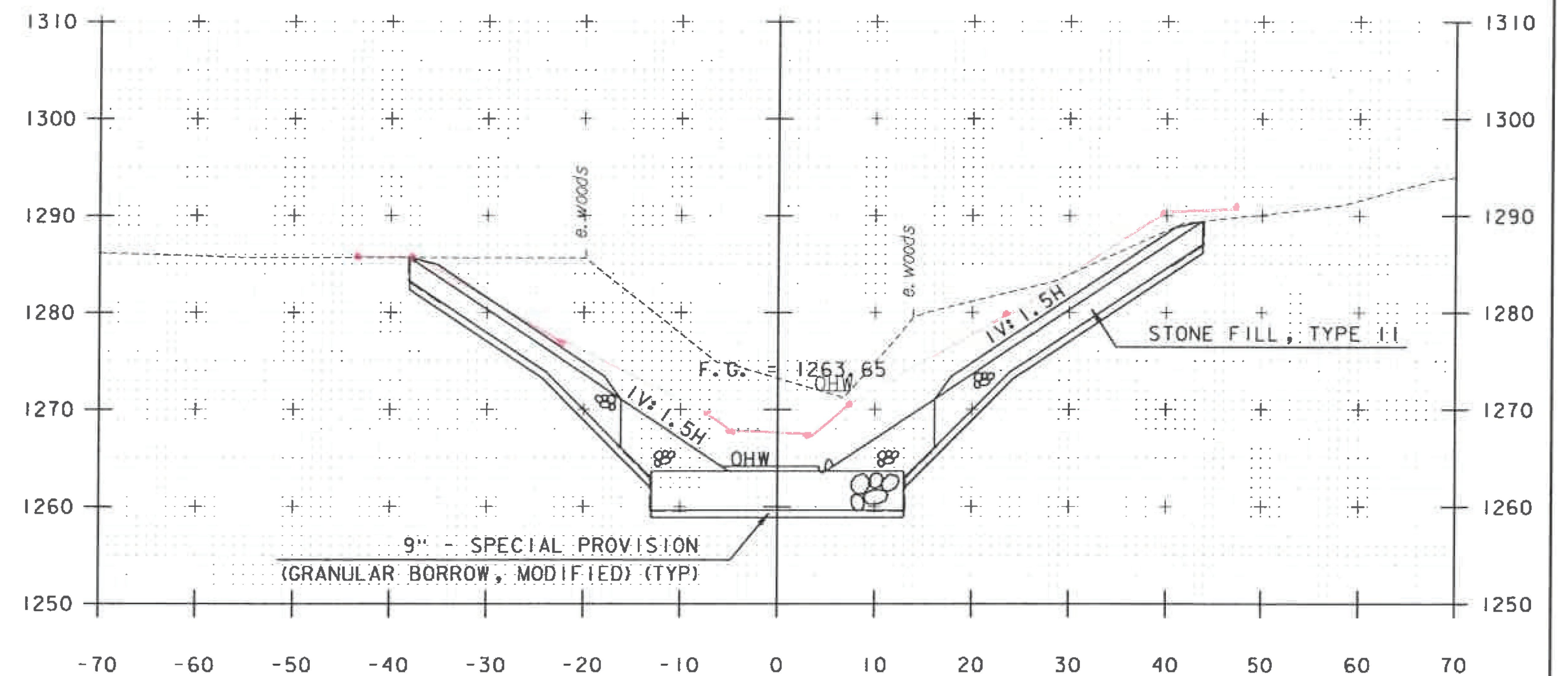
201+50



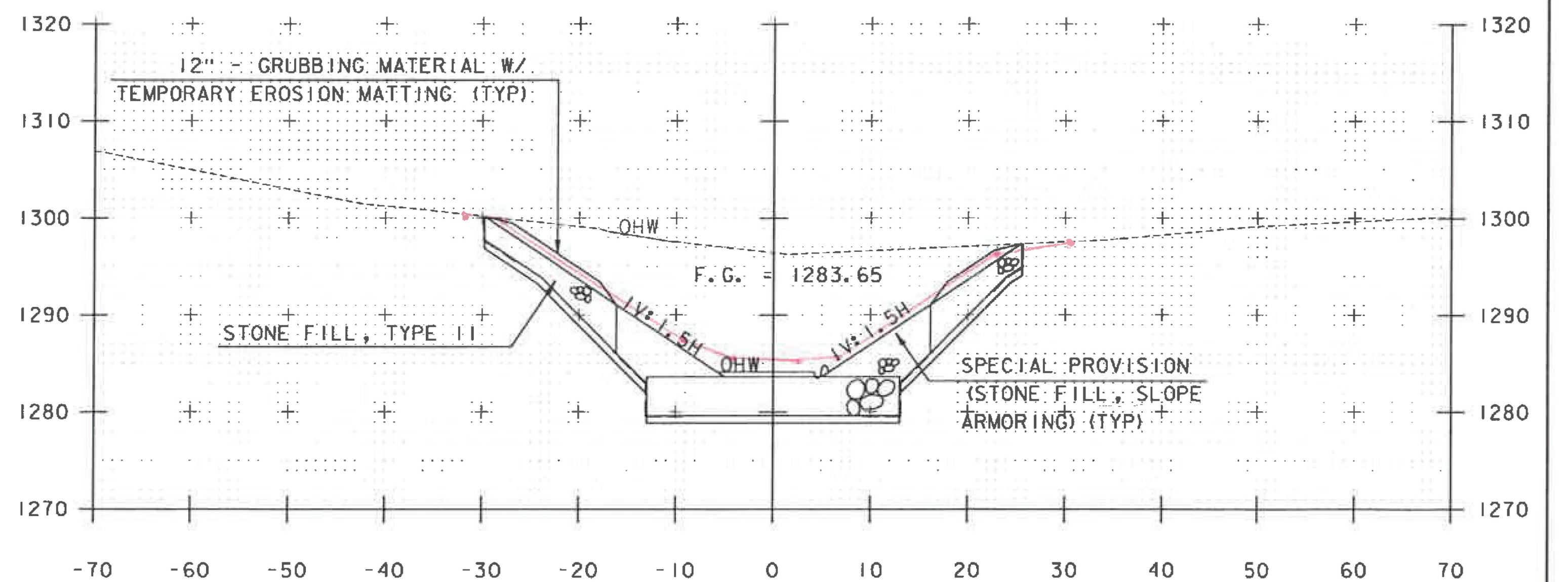
201+00



200+75



202+50



202+00

STA. 200+73.39 TO STA. 202+50

NOTE: STATIONS AND ELEVATIONS ARE IN FEET

GREEN INTERNATIONAL AFFILIATES, INC.
CIVIL AND STRUCTURAL ENGINEERS

PROJECT NAME: MENDON
PROJECT NUMBER: ER 020-2(39)

FILE NAME: z13b188xsl.dgn
PROJECT LEADER: E. ATKINS
DESIGNED BY: M. BRADLEY
CROSS SECTION SHEET 13

PLOT DATE: 11/13/2015
DRAWN BY: S. SOLLA
CHECKED BY: E. ATKINS
SHEET 65 OF 72