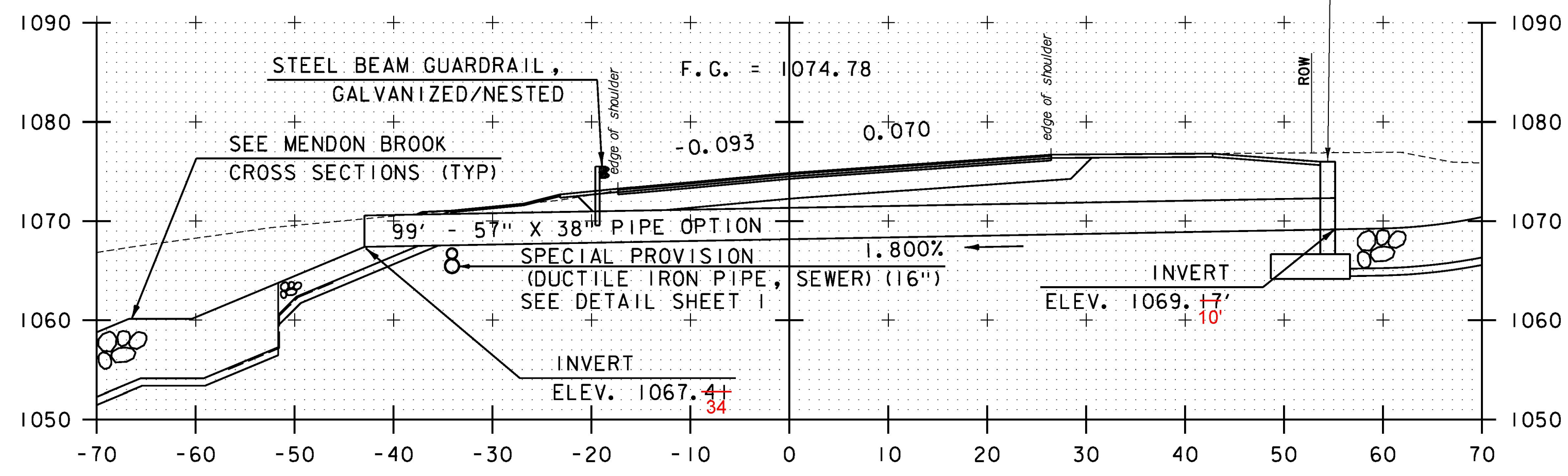
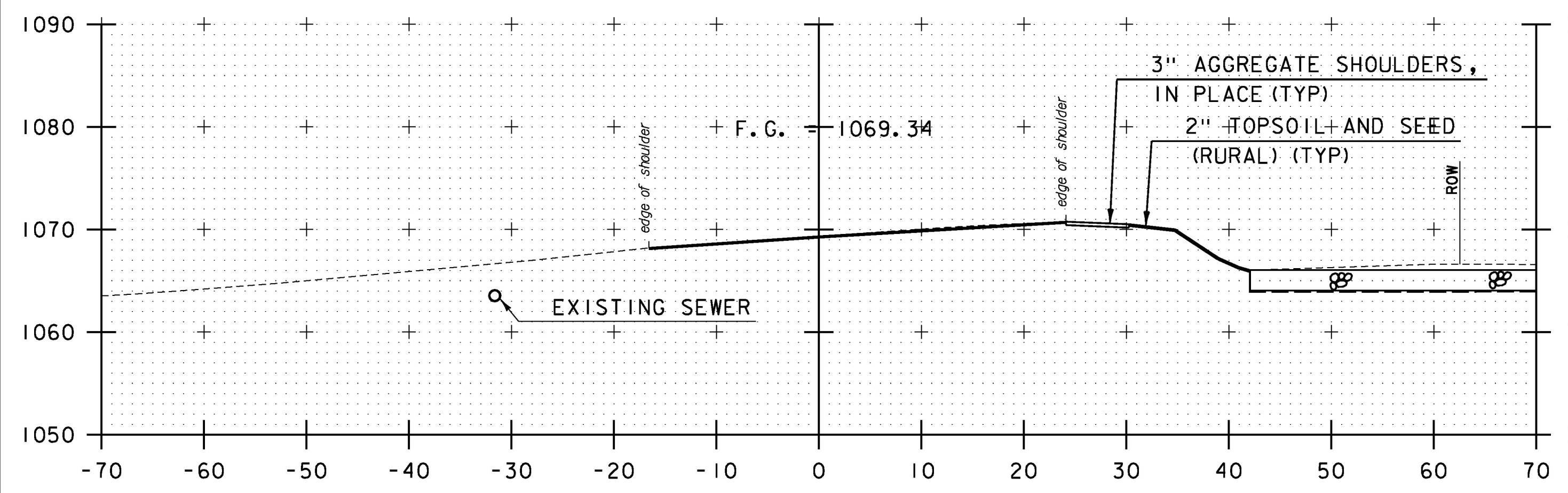


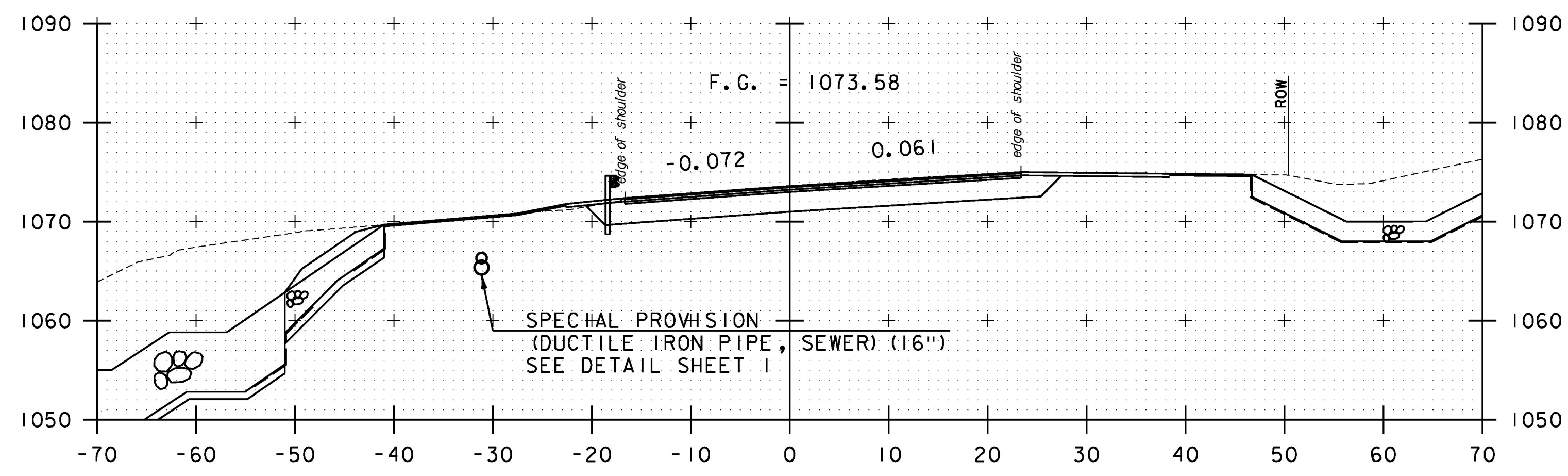
23+00.00



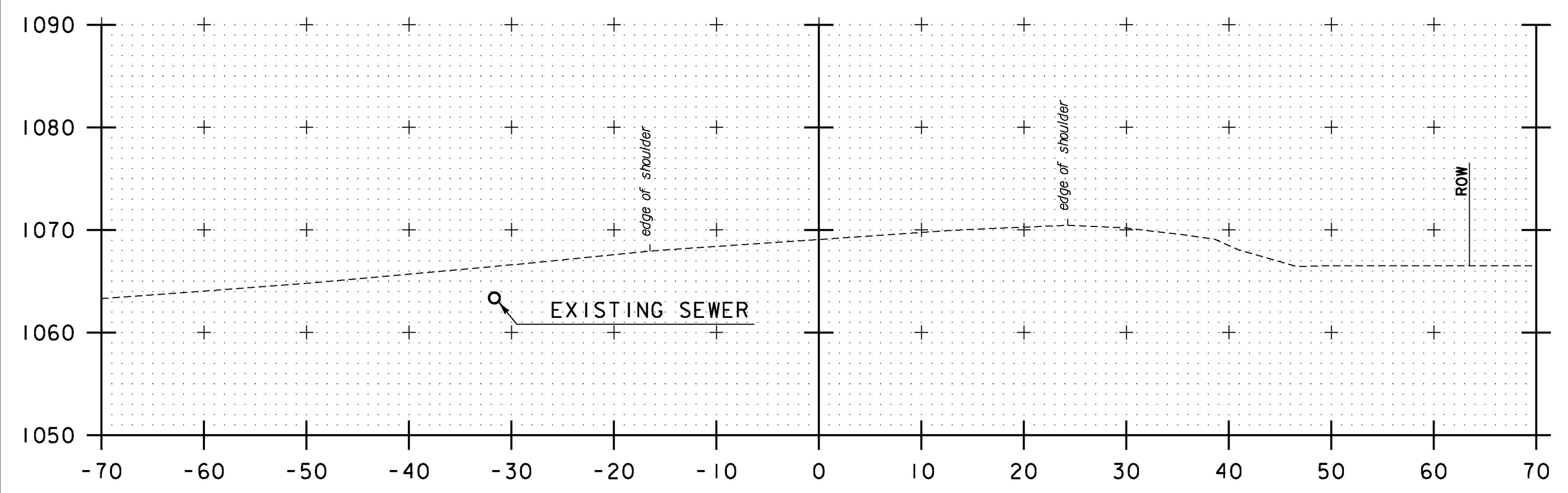
23+99.82, 57" X 38" PIPE OPTION  
SKEWED 65°26'58.59"RT



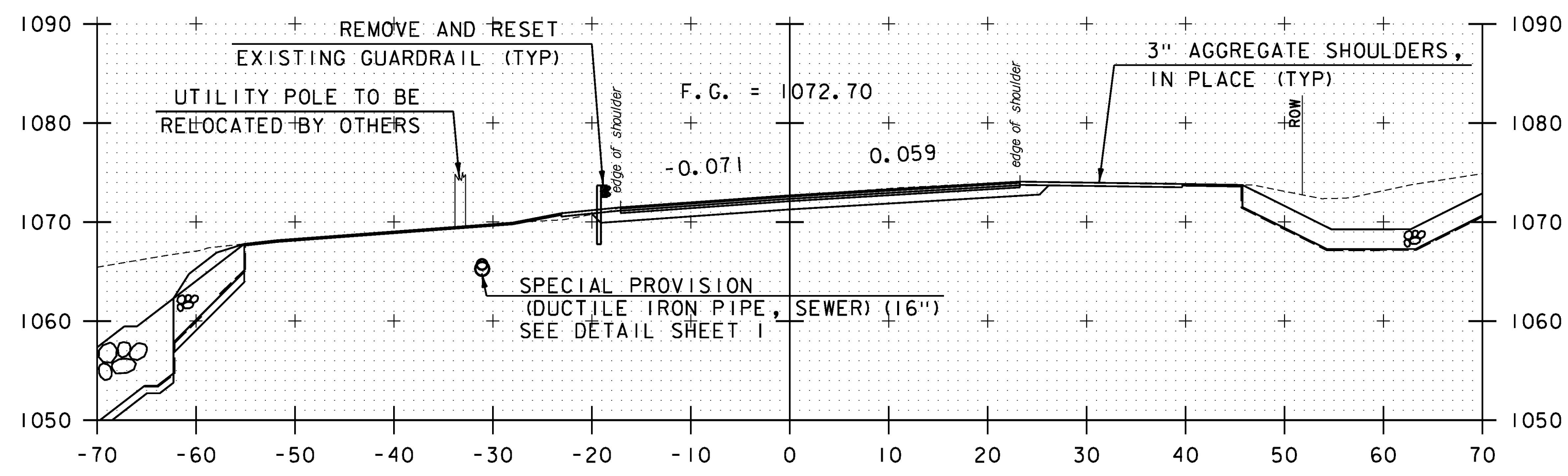
22+58.55 BEGIN APPROACH



23+71.05 END APPROACH  
BEGIN MENDON ER 020-2 (39)



22+50.00



23+50.00

STA. 22+50 TO STA. 23+99.82

NOTES: ALL ROADWAY CROSS SLOPES ARE PROVIDED FOR INFORMATION ONLY  
ALL ROADWAY CROSS SLOPES SHALL MATCH EXISTING  
STATIONS AND ELEVATIONS ARE IN FEET

GREEN INTERNATIONAL AFFILIATES, INC.  
CIVIL AND STRUCTURAL ENGINEERS

PROJECT NAME: MENDON	PLOT DATE: 11/13/2015
PROJECT NUMBER: ER 020-2(39)	DRAWN BY: S. SOLLA
FILE NAME: z13bi88xsl.dgn	DESIGNED BY: M. BRADLEY
PROJECT LEADER: E. ATKINS	CHECKED BY: E. ATKINS
CROSS SECTION SHEET 9	SHEET 61 OF 72