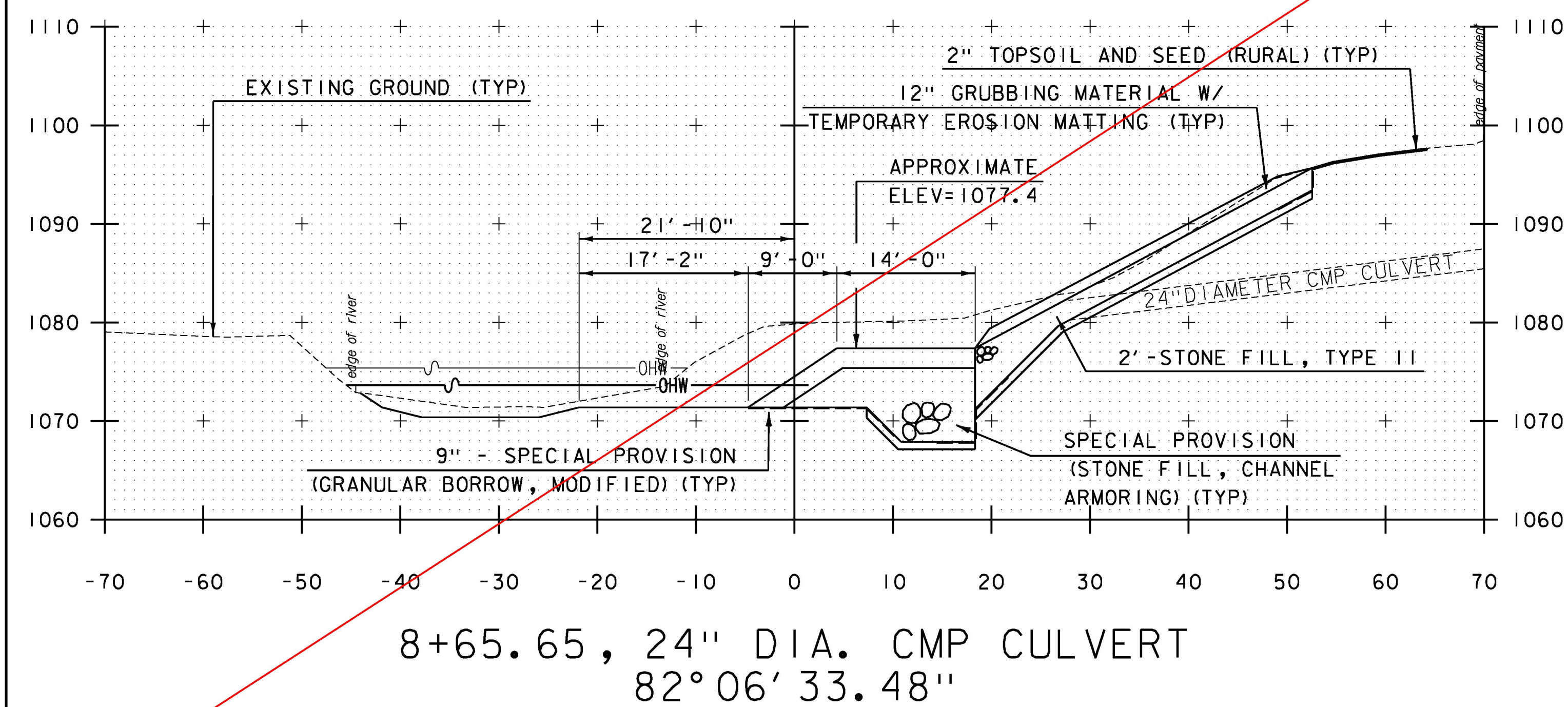
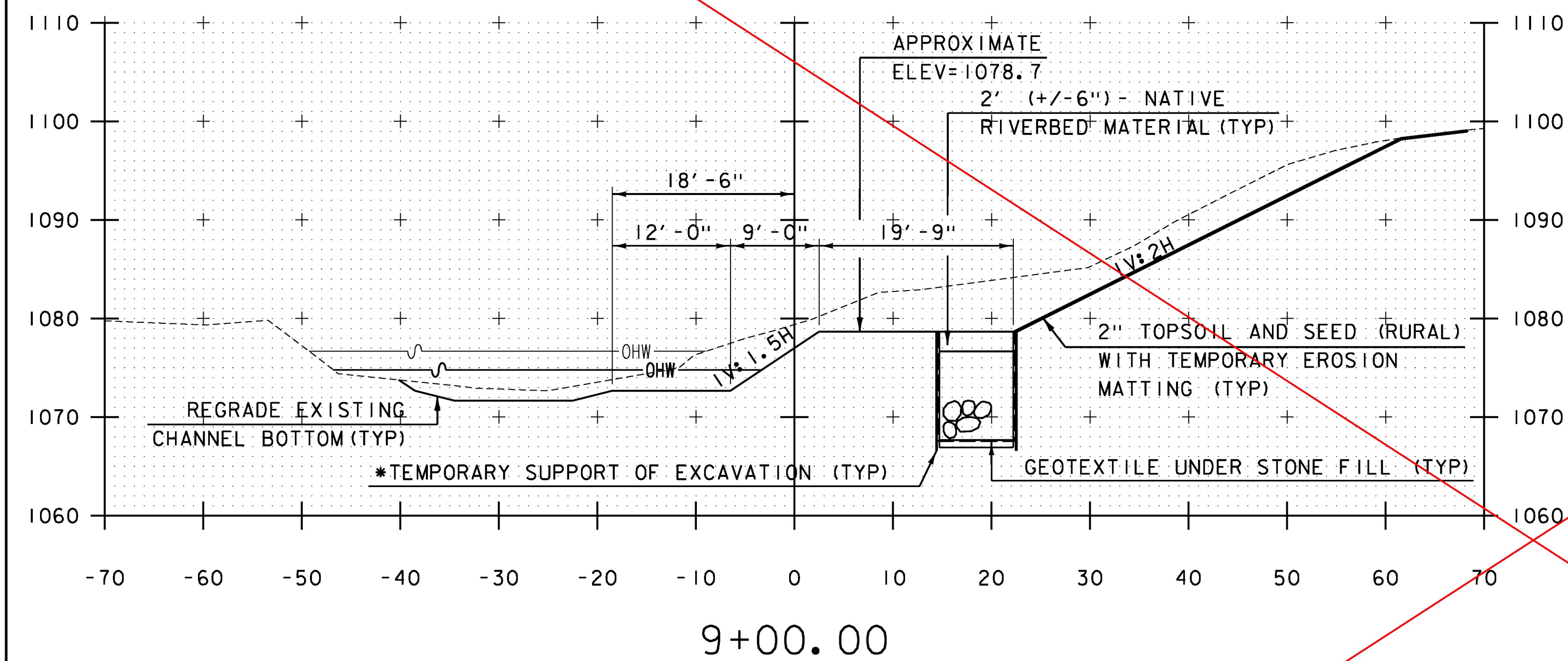


NOTE:
 * CONTRACTOR SHALL DESIGN AND PROVIDE TEMPORARY SUPPORT OF EXCAVATION UNLESS OTHERWISE DIRECTED BY THE ENGINEER. COST ASSOCIATED WITH TEMPORARY SUPPORT WILL BE CONSIDERED INCIDENTAL TO ITEM 203.17 UNCLASSIFIED EXCAVATION.



STA. 8+65.65 TO STA. 9+00

SEE REVISED SECTIONS (SHEETS 53A - 60A)

NOTE: STATIONS AND ELEVATIONS ARE IN FEET



PROJECT NAME: MENDON	PLOT DATE: 11/13/2015
PROJECT NUMBER: ER 020-2(39)	DRAWN BY: S. SALLA
FILE NAME: z13bi88xsl.dgn	DESIGNED BY: M. BRADLEY
PROJECT LEADER: E. ATKINS	CHECKED BY: E. ATKINS
CROSS SECTION SHEET 5	SHEET 57 OF 72