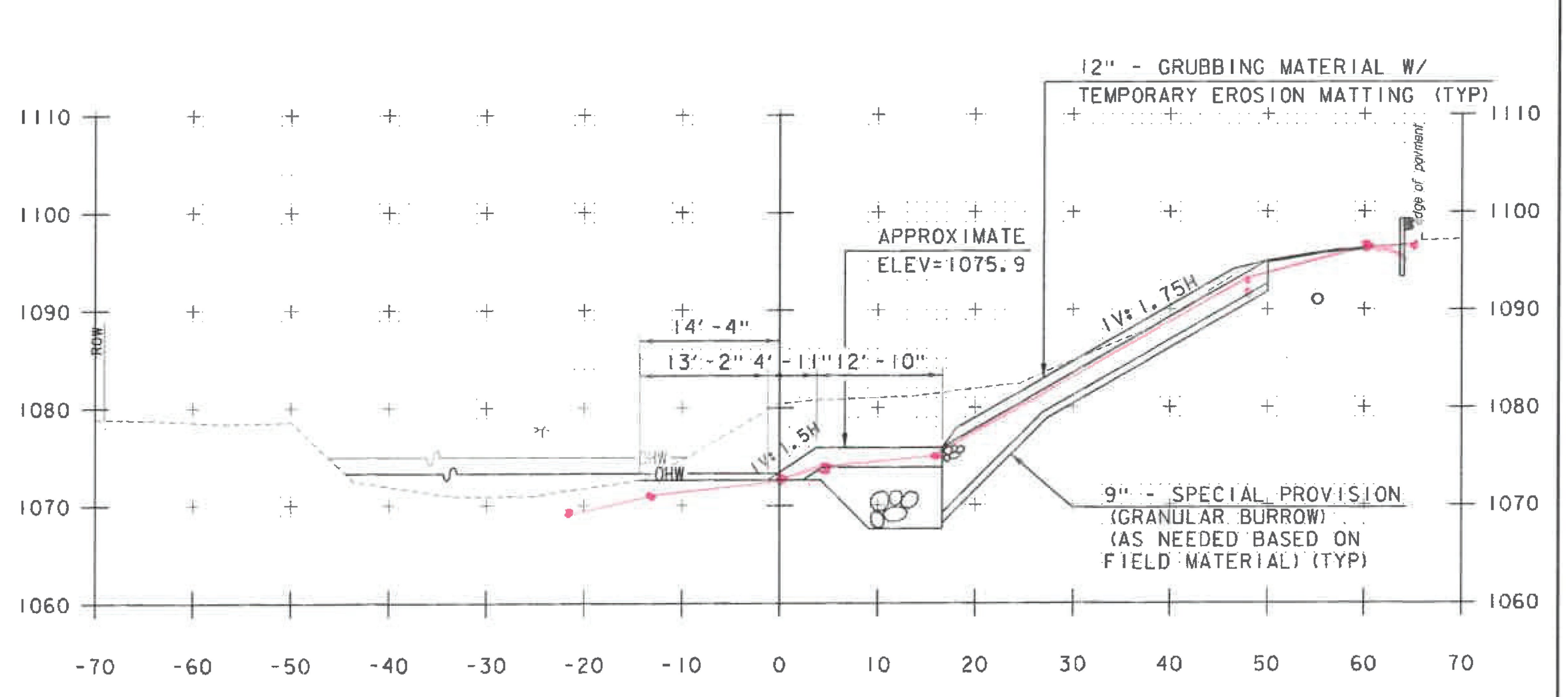
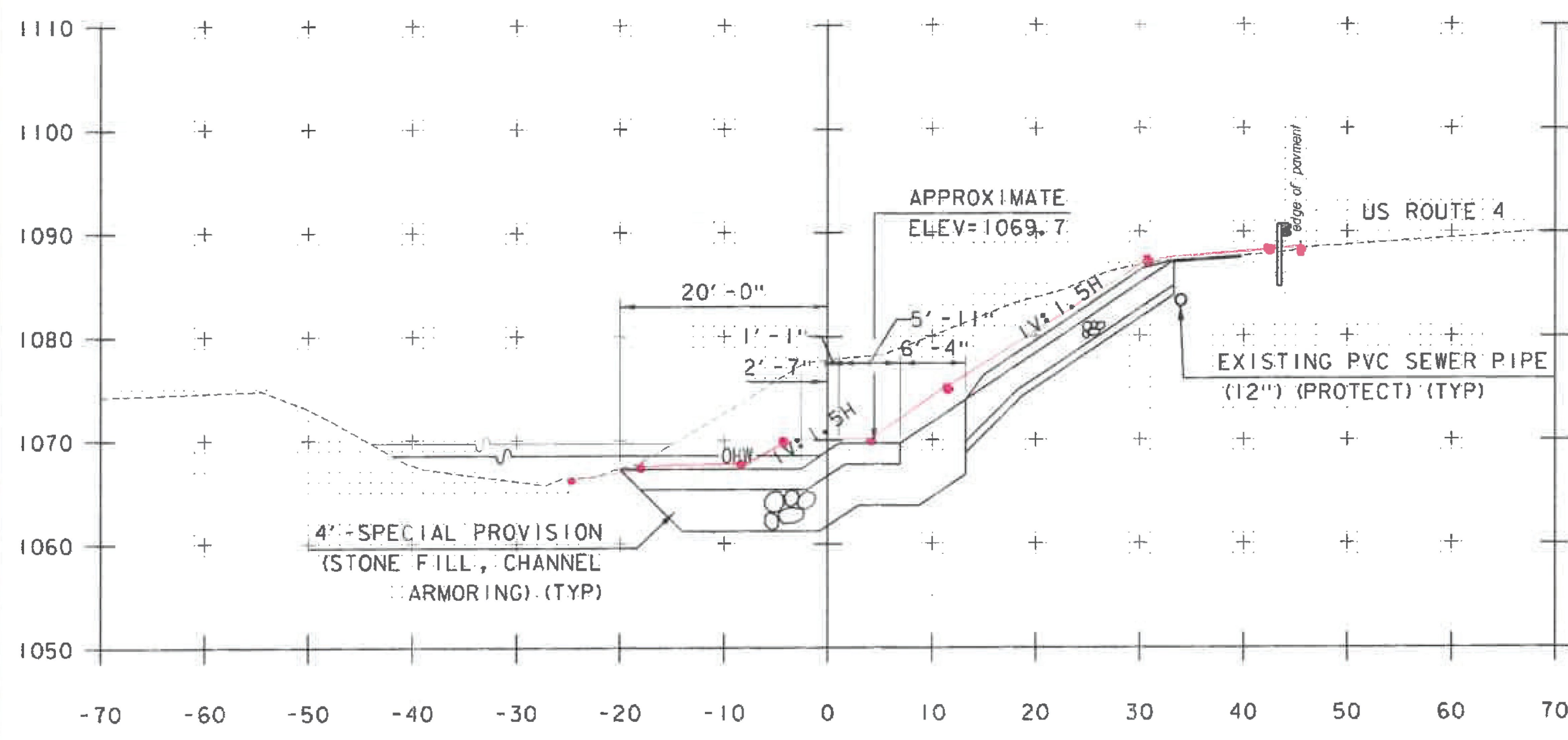


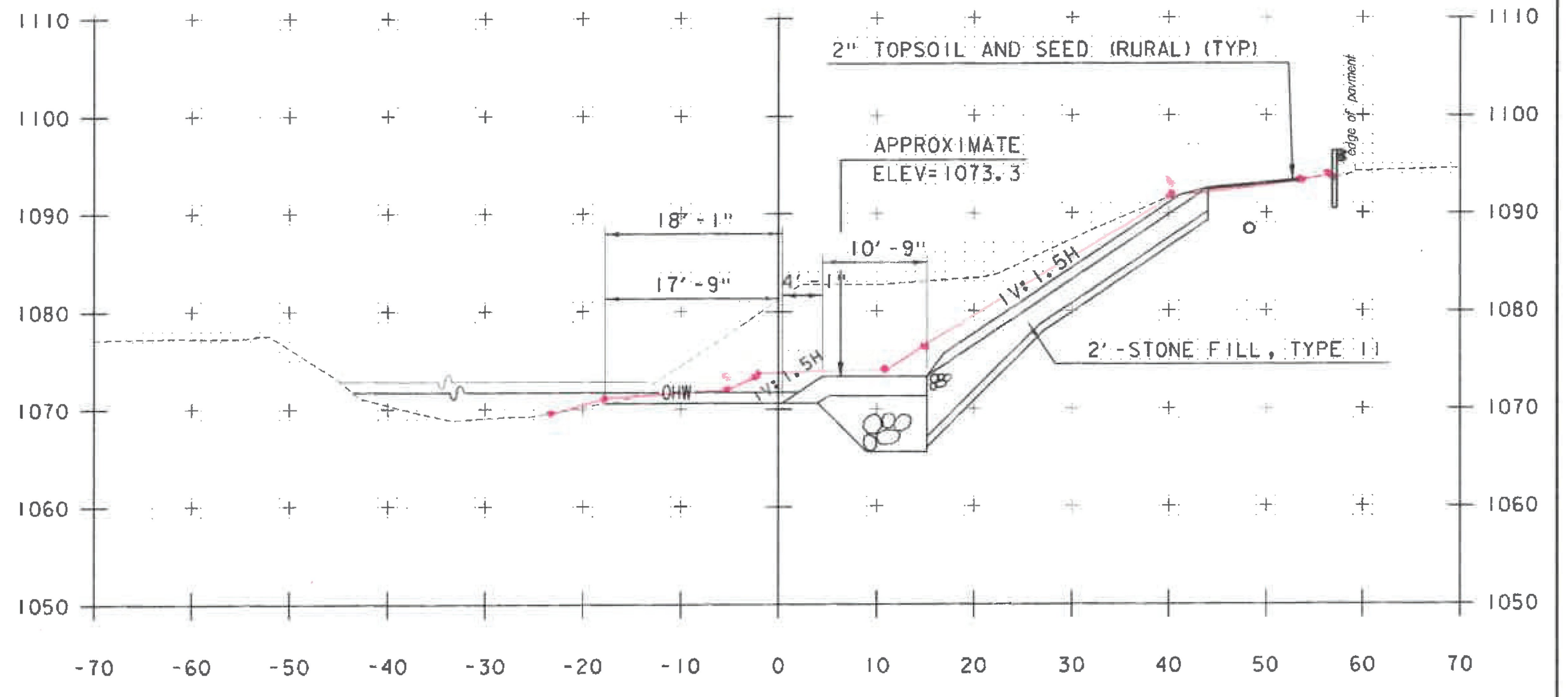
7+50.00



8+50.00



7+00.00



8+00.00

STA. 7+00 TO STA. 8+50

RECEIVED
JUL 12 2016

BY:

NOTE: STATIONS AND ELEVATIONS ARE IN FEET

GREEN INTERNATIONAL AFFILIATES, INC.
CIVIL AND STRUCTURAL ENGINEERS

PROJECT NAME: MENDON	PLOT DATE: 11/24/2015
PROJECT NUMBER: ER 020-2(39)	DRAWN BY: S. SOLLA
FILE NAME: z13b188xsl.dgn	CHECKED BY: E. ATKINS
PROJECT LEADER: E. ATKINS	SHEET 56A OF 72
DESIGNED BY: M. BRADLEY	
CROSS SECTION SHEET 4	