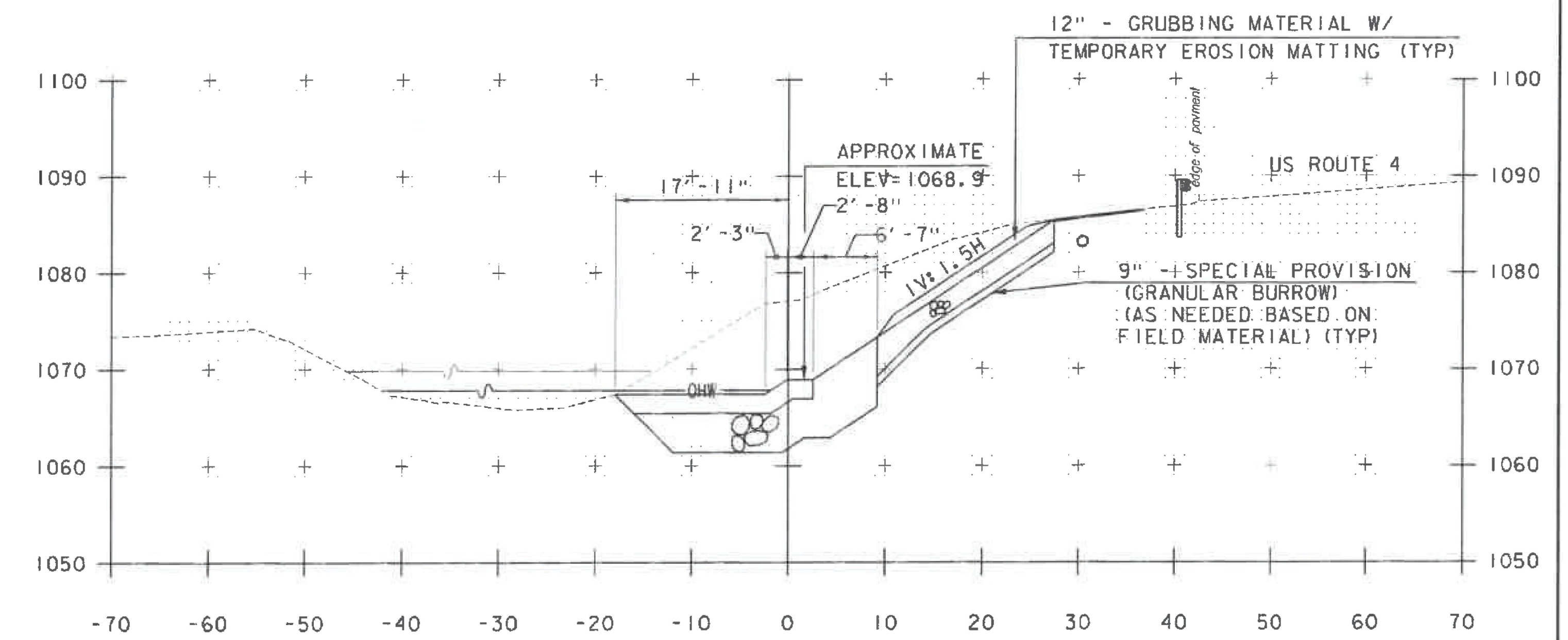
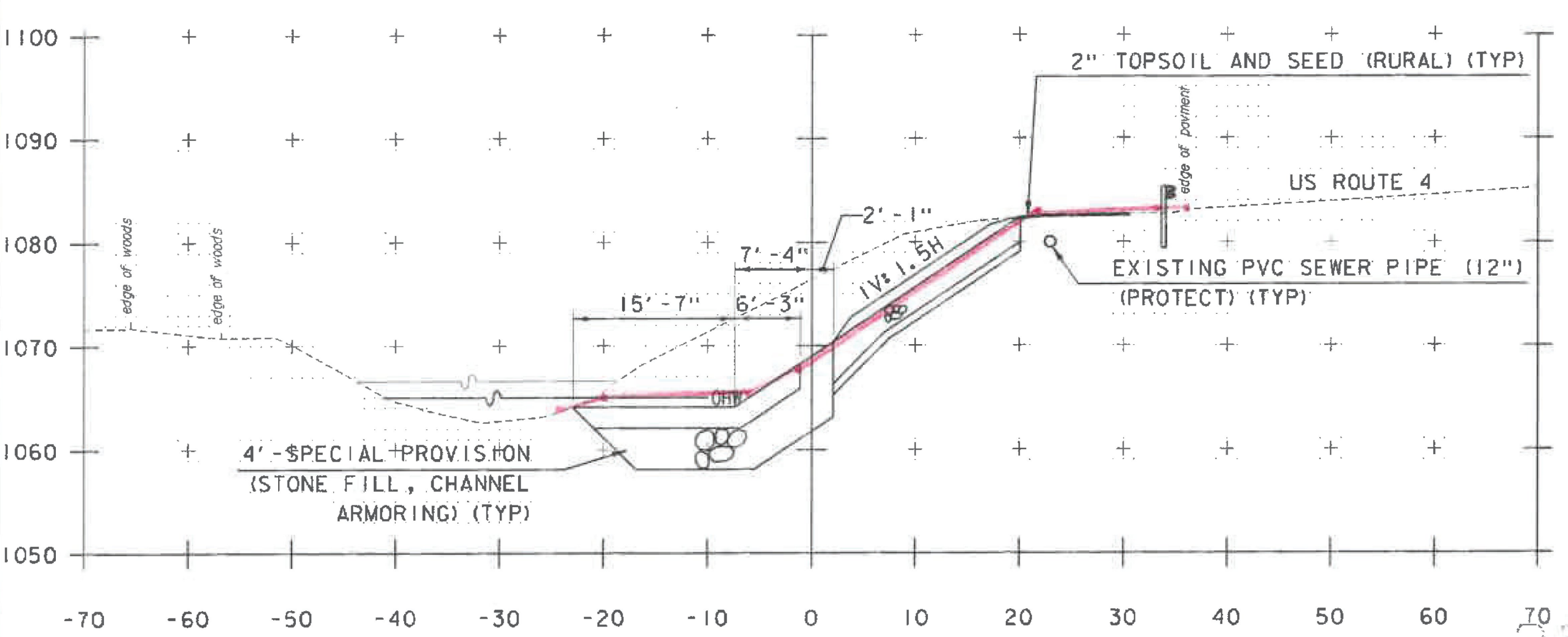


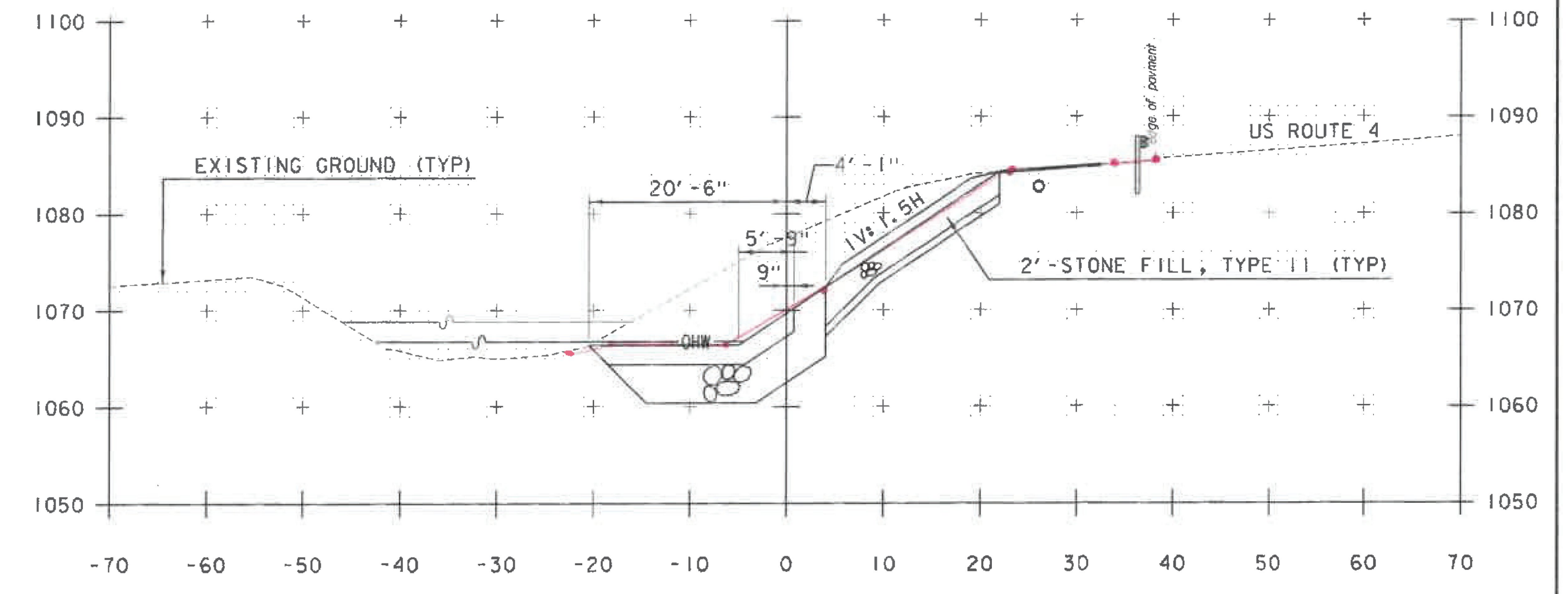
6+15.03, 48" DIA. RCP CULVERT
SKEWED AT 73°31' 15.96"



6+79.91 PT



6+00.00



6+50.00

STA. 6+00 TO STA. 6+79.91

RECEIVED
JUL 12 2016

BY:

NOTE: STATIONS AND ELEVATIONS ARE IN FEET

GREEN INTERNATIONAL AFFILIATES, INC.
CIVIL AND STRUCTURAL ENGINEERS

PROJECT NAME: MENDON	PLOT DATE: 11/24/2015
PROJECT NUMBER: ER 020-2(39)	DRAWN BY: S. SOLLA
FILE NAME: z13b188xsl.dgn	CHECKED BY: E. ATKINS
PROJECT LEADER: E. ATKINS	SHEET 55A OF 72
DESIGNED BY: M. BRADLEY	CROSS SECTION SHEET 3