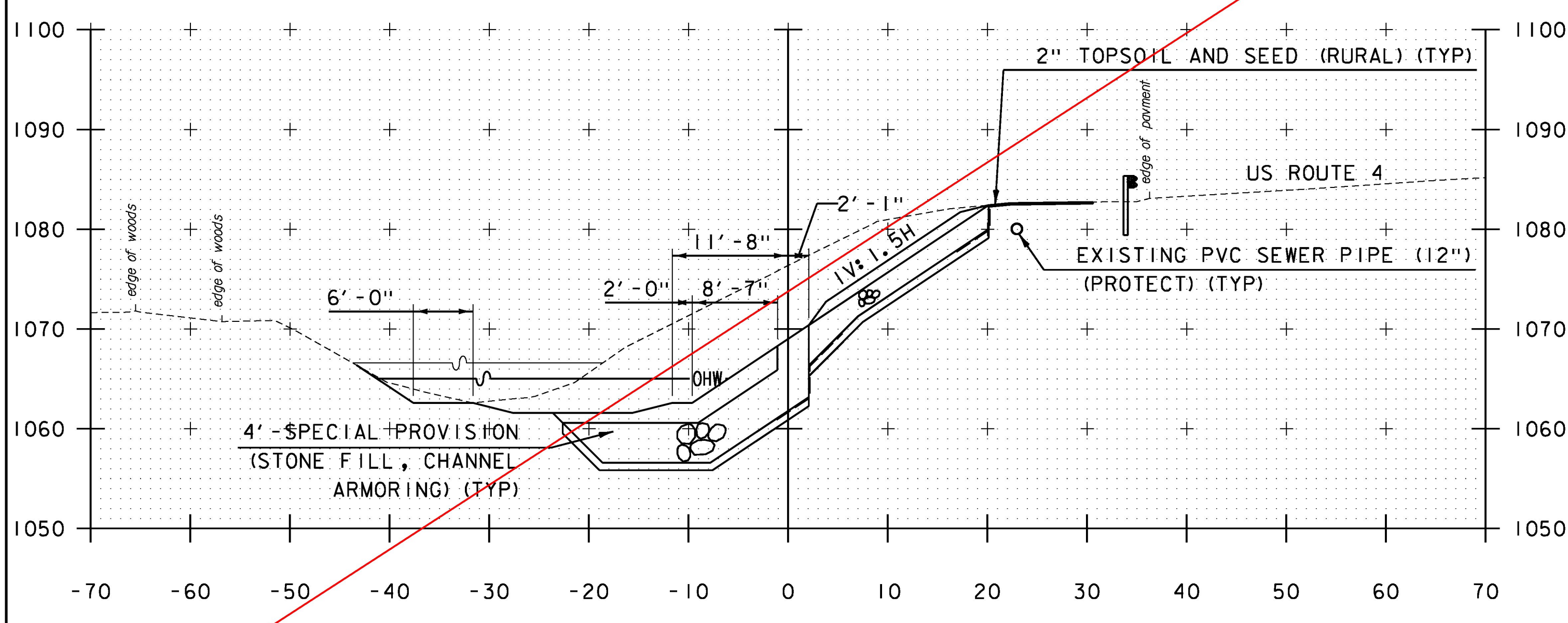
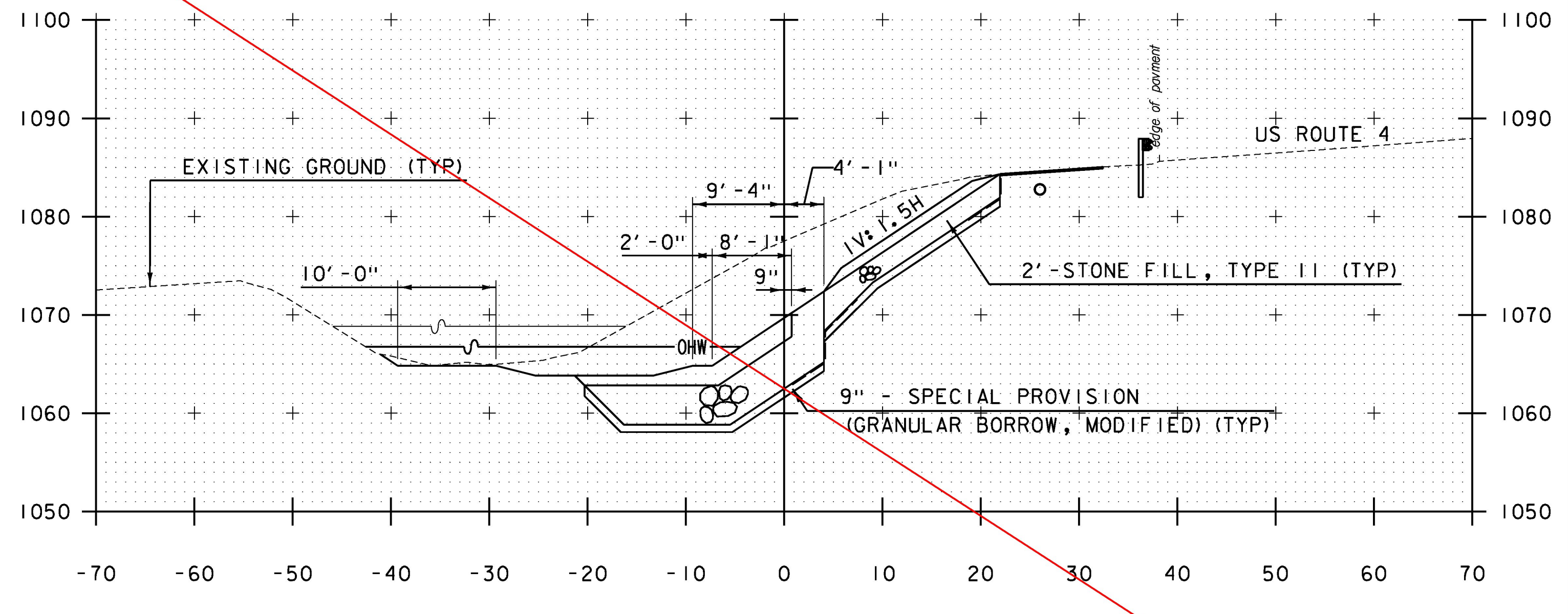


6+15.03, 48" DIA. RCP CULVERT
SKEWED AT 73°31'15.96"

6+79.91 PT



6+00.00



6+50.00

STA. 6+00 TO STA. 6+79.91

SEE REVISED SECTIONS (SHEETS 53A - 60A)

NOTE: STATIONS AND ELEVATIONS ARE IN FEET



PROJECT NAME:	MENDON	PLOT DATE:	11/13/2015
PROJECT NUMBER:	ER 020-2(39)	DRAWN BY:	S. SALLA
FILE NAME:	z13bi88xsl.dgn	DESIGNED BY:	M. BRADLEY
PROJECT LEADER:	E. ATKINS	CHECKED BY:	E. ATKINS
CROSS SECTION SHEET 3			SHEET 55 OF 72