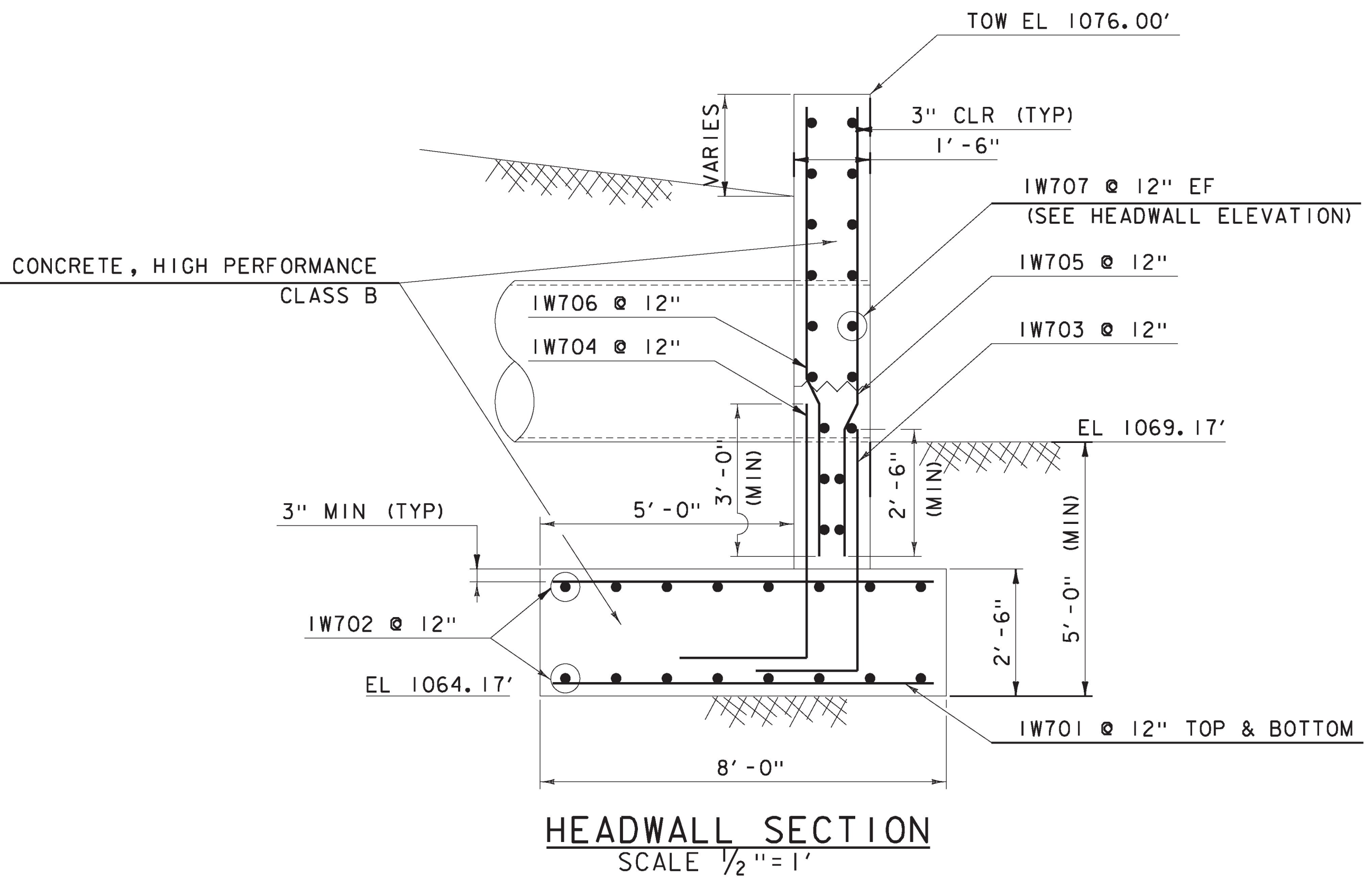
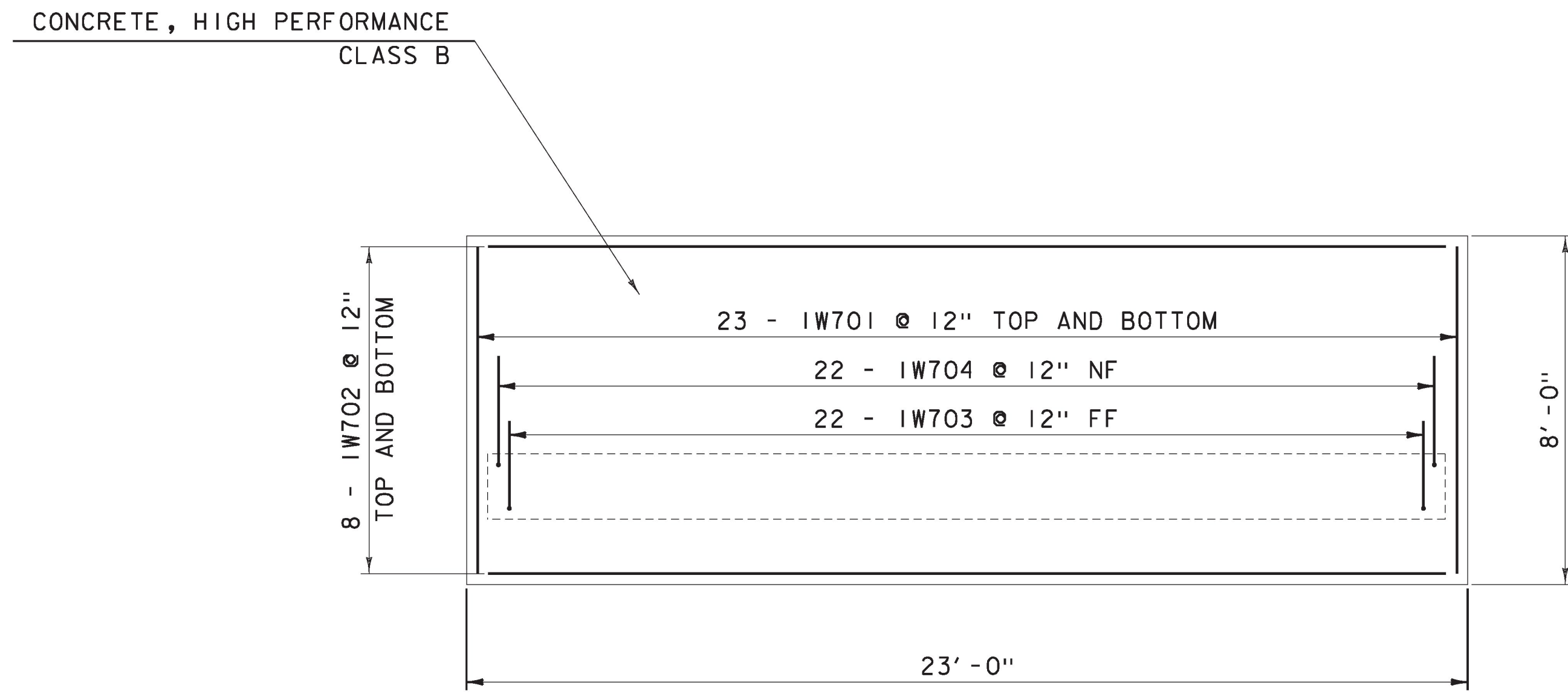


HEADWALL ELEVATION
SCALE 1/2" = 1'

NOTE:
 NF = NEAR FACE
 FF = FAR FACE
 EF = EACH FACE
 TOW = TOP OF WALL
 3" CLEAR, UNLESS OTHERWISE SPECIFIED ON THE PLANS.
 2' - 2" BAR LAP UNLESS OTHERWISE SPECIFIED ON THE PLANS.



HEADWALL SECTION
SCALE 1/2" = 1'



FOOTING PLAN
SCALE 3/8" = 1'

WALL AND FOOTING REINFORCING DETAILS

PROJECT NAME:	MENDON	PLOT DATE:	11/24/2015
PROJECT NUMBER:	ER 020-2(39)	DRAWN BY:	Y. WANG
FILE NAME:	z13bi88def.dgn	DESIGNED BY:	B. KHALIFA
PROJECT LEADER:	E. ATKINS	CHECKED BY:	B. KHALIFA
DETAIL SHEET 4		SHEET	14 OF 72