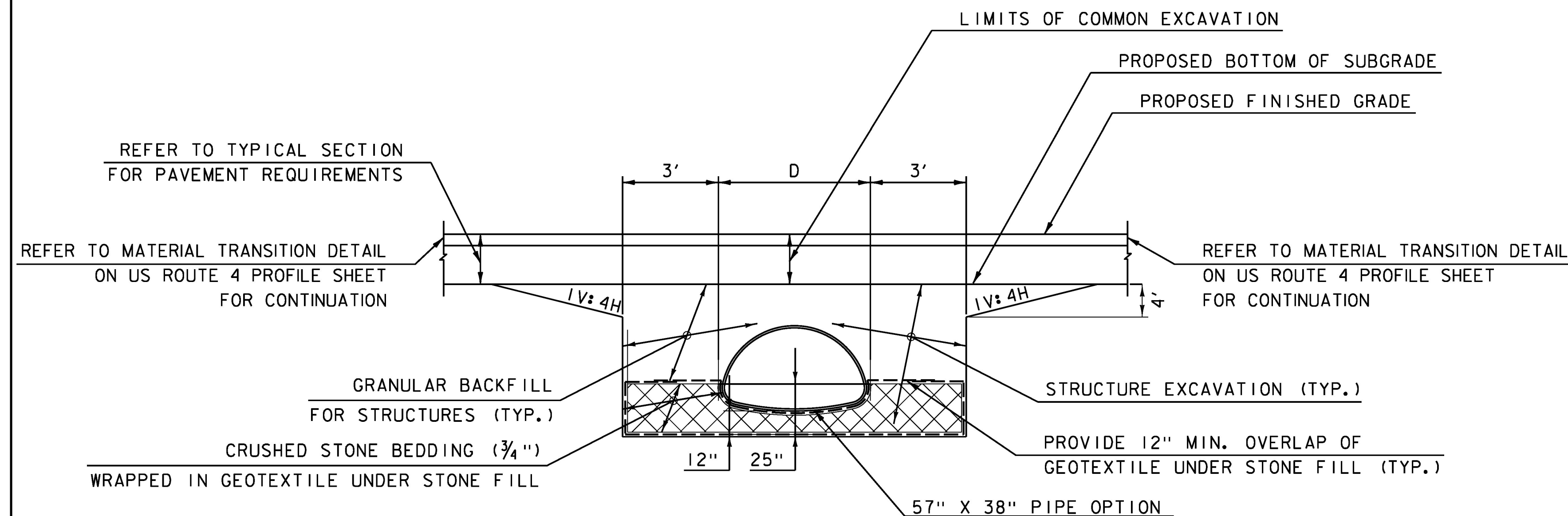
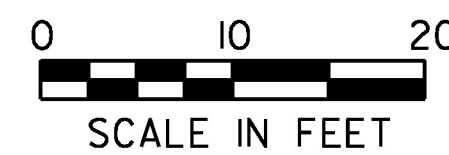
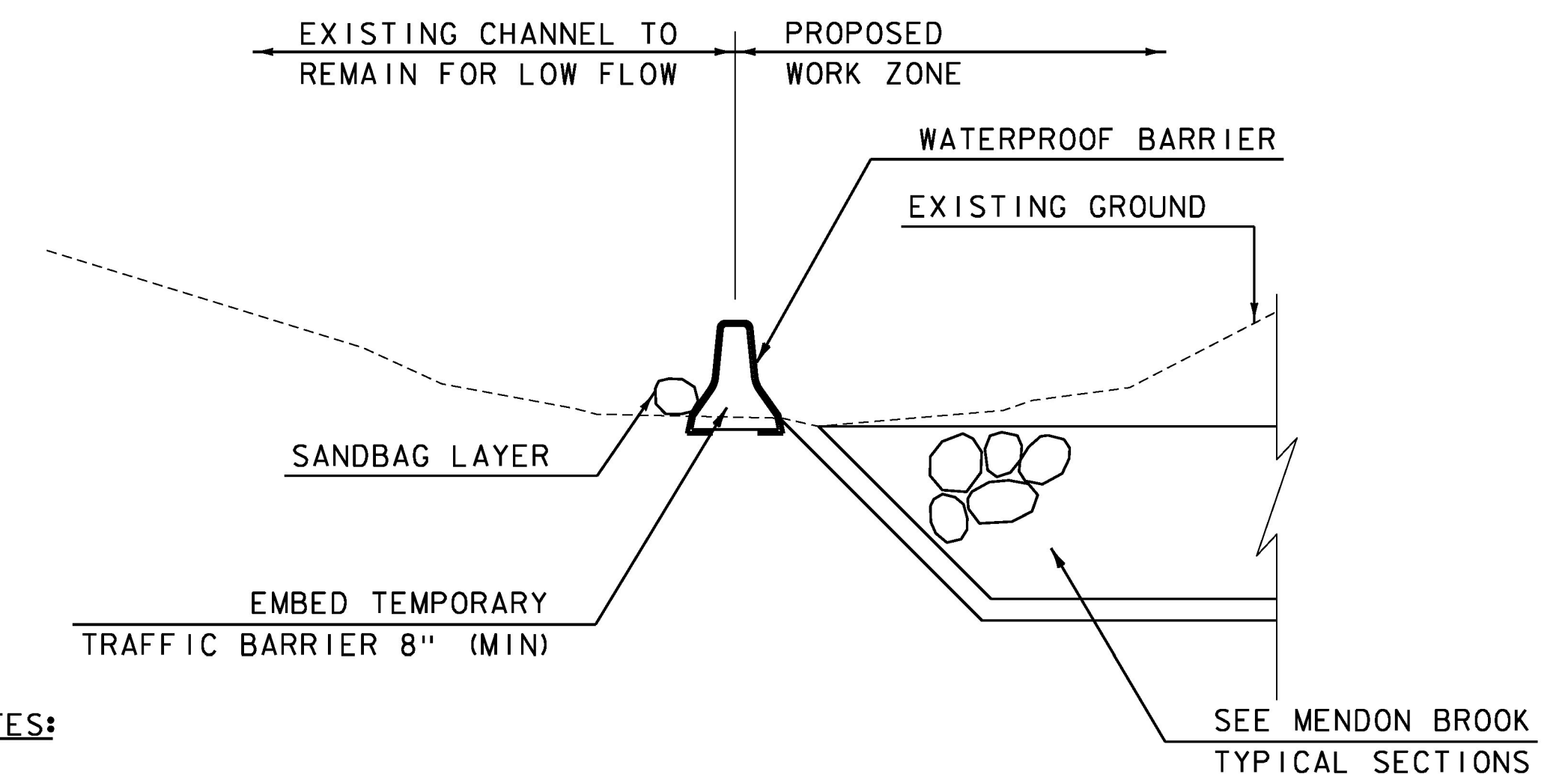


US ROUTE 4 STA. 23+99.82
 SKEWED AT 65°22'59.88" RT
 57" X 38" PIPE OPTION



TYPICAL
 57" X 38" PIPE OPTION
 TRENCH DETAIL
 NOT TO SCALE



NOTES:

1.) SEE EPSC CONSTRUCTION PLANS FOR SUGGESTED LAYOUT.

SPECIAL PROVISION
 (TEMPORARY WATER DIVERSION BARRIER) DETAIL
 NOT TO SCALE

* COST OF THE INSULATION BOARD WILL BE CONSIDERED INCIDENTAL TO ITEM 900.640 SPECIAL PROVISION (DUCTILE IRON PIPE, SEWER) (16")