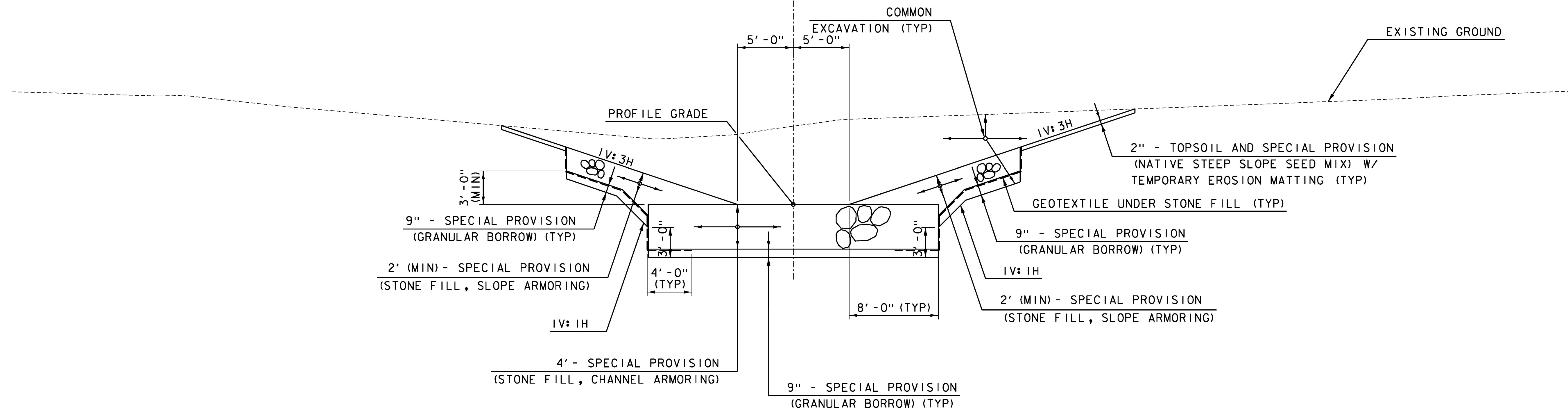
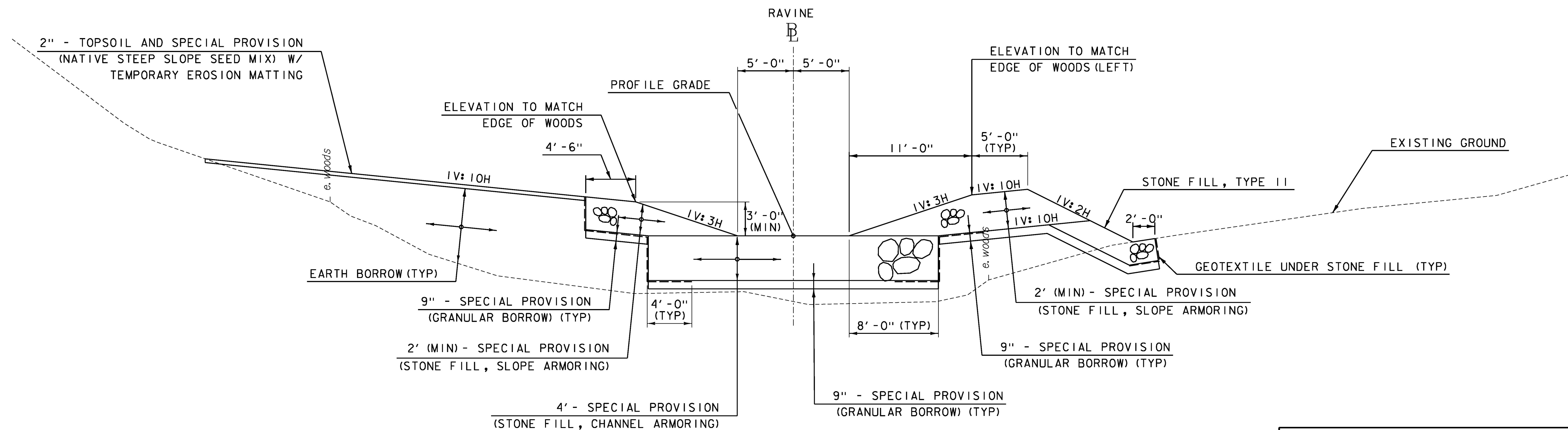


TYPICAL SECTIONS RAVINE



TYPICAL SECTION
STA. 206+75.00-207+50.00
NOT TO SCALE



TYPICAL SECTION
STA. 205+75.00-206+75.00
NOT TO SCALE

PROJECT NAME: MENDON
PROJECT NUMBER: ER 020-2(39)

FILE NAME: z13bi88typ.dgn
PROJECT LEADER: E. ATKINS
DESIGNED BY: M. BRADLEY
TYPICAL SECTIONS SHEET 6

PLOT DATE: 11/13/2015
DRAWN BY: M. BRADLEY
CHECKED BY: E. ATKINS
SHEET 10 OF 72

REFER TO SHEET 4 FOR PROJECT NOTES.