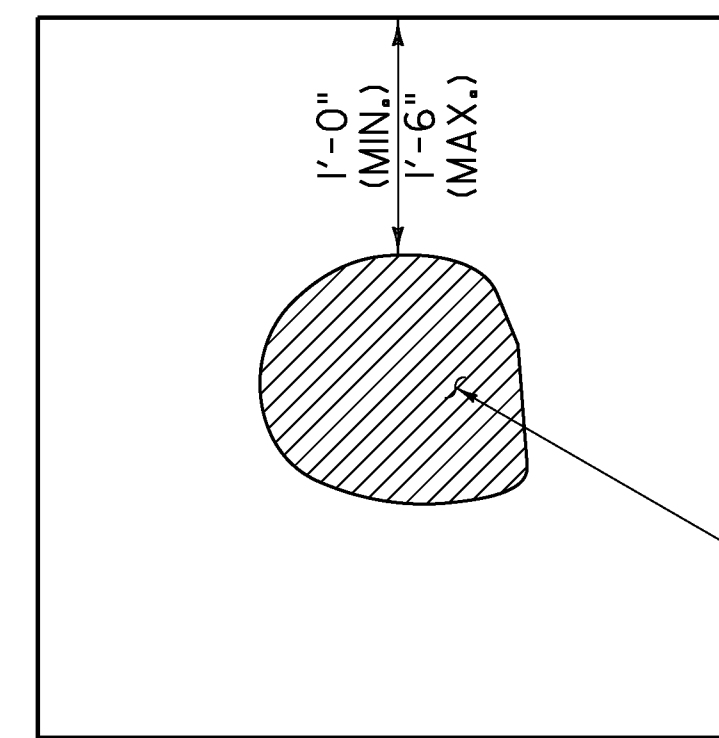
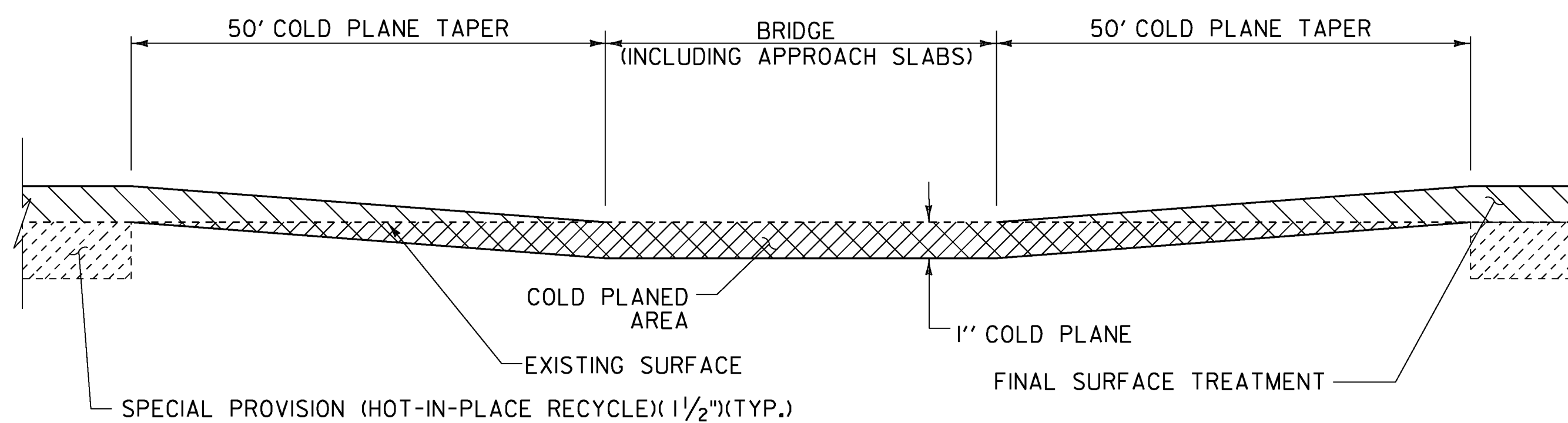


**COLD PLANE DETAIL AT BEGIN/END PROJECT AND AT ENDS VT RTE. 17 & 100B**



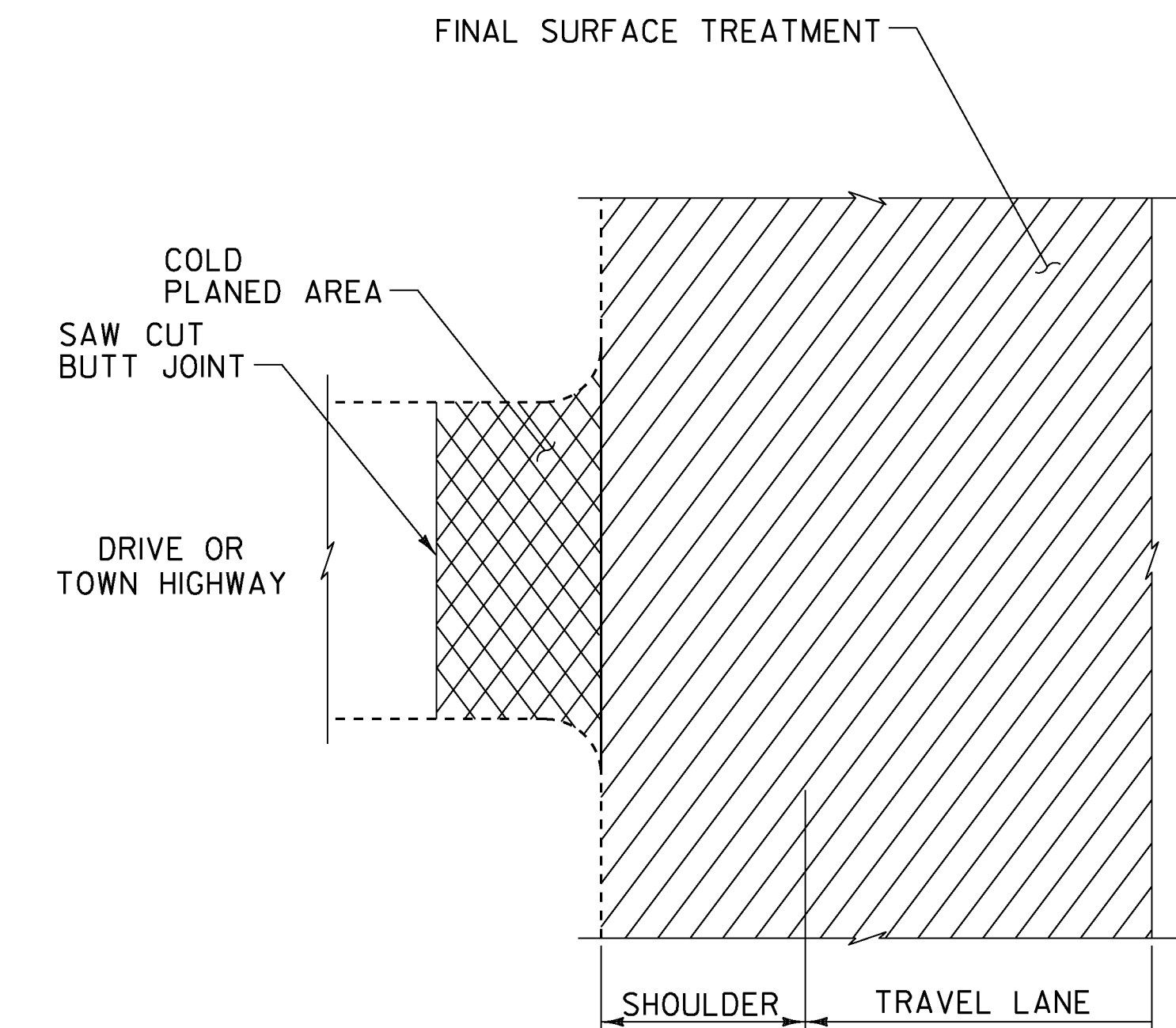
**TYPICAL - POT HOLE REPAIR**  
NOT TO SCALE



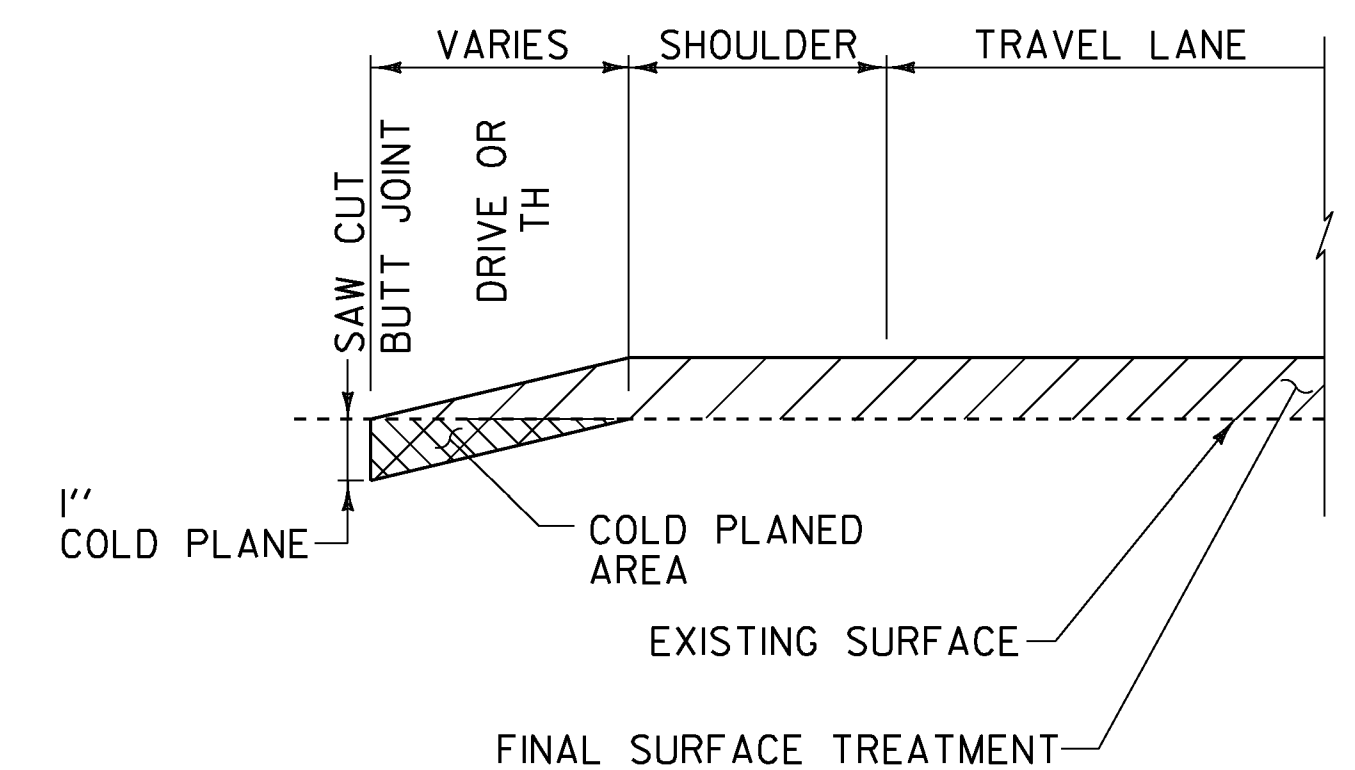
**BRIDGE COLD PLANE DETAIL**

**NOTES:**

1. REFER TO BRIDGE JOINT DETAIL SHEET AND STRUCTURES DETAIL SD-516.10. ALL NEW JOINTS TO BE PAID FOR UNDER ITEM 516.10, "BRIDGE EXPANSION JOINT, ASPHALTIC PLUG."
2. THE CONTRACTOR SHALL TAKE PRECAUTIONS TO AVOID DAMAGING DRAINAGE STRUCTURES AND EXPANSION JOINTS. ANY DAMAGE CAUSED BY THE CONTRACTOR SHALL BE REPAIRED BY THE CONTRACTOR AT THE SOLE EXPENSE OF THE CONTRACTOR.
3. THE CONTRACTOR SHALL TAKE PRECAUTIONS TO AVOID THE ACCUMULATION OF DEBRIS IN THE DRAINAGE STRUCTURES LOCATED AT CURB LINE AND IN THE EXPANSION JOINTS. THE CONTRACTOR SHALL EXAMINE THESE BRIDGE FEATURES ON A DAILY BASIS TO ENSURE THAT DEBRIS HAS NOT ACCUMULATED. ANY DEBRIS WHICH IS PRESENT SHALL BE REMOVED BY THE CONTRACTOR AT NO COST TO THE STATE.
4. THE CONTRACTOR SHALL USE CAUTION WHEN COLD PLANING AND PAVING OPERATIONS OCCUR ON BRIDGE DECKS. SHOULD ANY DAMAGE OCCUR TO THE DECK OR MEMBRANE AS A RESULT OF THESE OPERATIONS THE ENGINEER SHALL CONTACT THE VTRANS CONSTRUCTION STRUCTURES ENGINEER TO PROVIDE AN ASSESSMENT OF THE DAMAGE AND RECOMMEND ANY NECESSARY REPAIRS. THE CONSTRUCTION STRUCTURES ENGINEER WILL ALSO DETERMINE IF THE DAMAGE WAS AVOIDABLE. IF THE CONTRACTOR IS DETERMINED BY THE RESIDENT ENGINEER TO BE AT FAULT FOR THE DAMAGE, THE RECOMMENDED REPAIRS SHALL BE COMPLETED BY THE CONTRACTOR AT NO COST TO THE STATE.



**COLD PLANE DETAILS AT DRIVES & TOWN HIGHWAYS**



**COLD PLANE DETAILS**

PROJECT NAME: WAITSFIELD-MORETOWN  
PROJECT NUMBER: STP SURF(39)

FILE NAME: I3b168\p13b168.dgn PLOT DATE: 06-MAY-2014  
PROJECT LEADER: FOWLER DRAWN BY: BULLOCK  
DESIGNED BY: BULLOCK CHECKED BY: FOWLER  
IPARM FILE NAME: p13b168cpd.i SHEET 23 OF 26

NOT TO SCALE