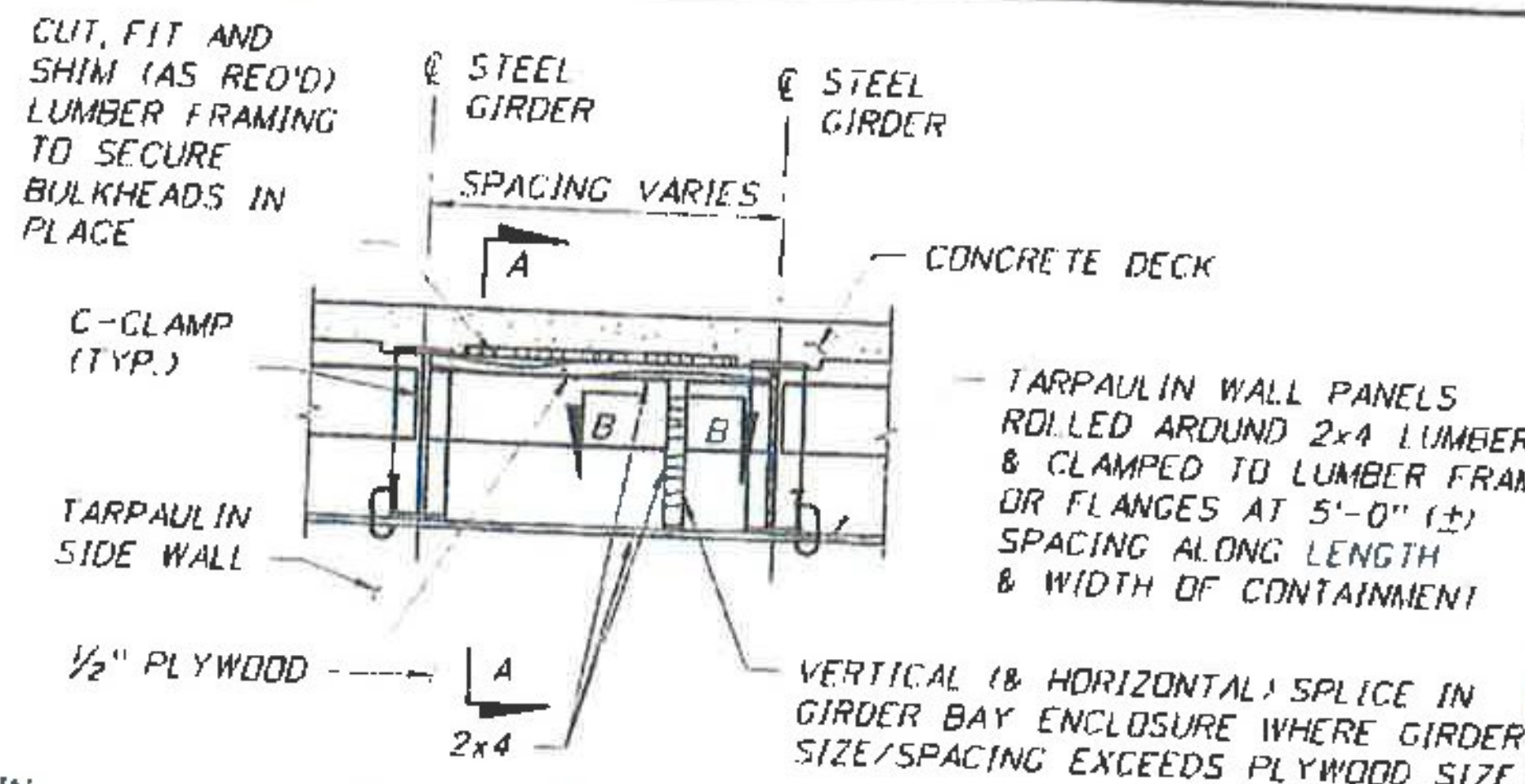
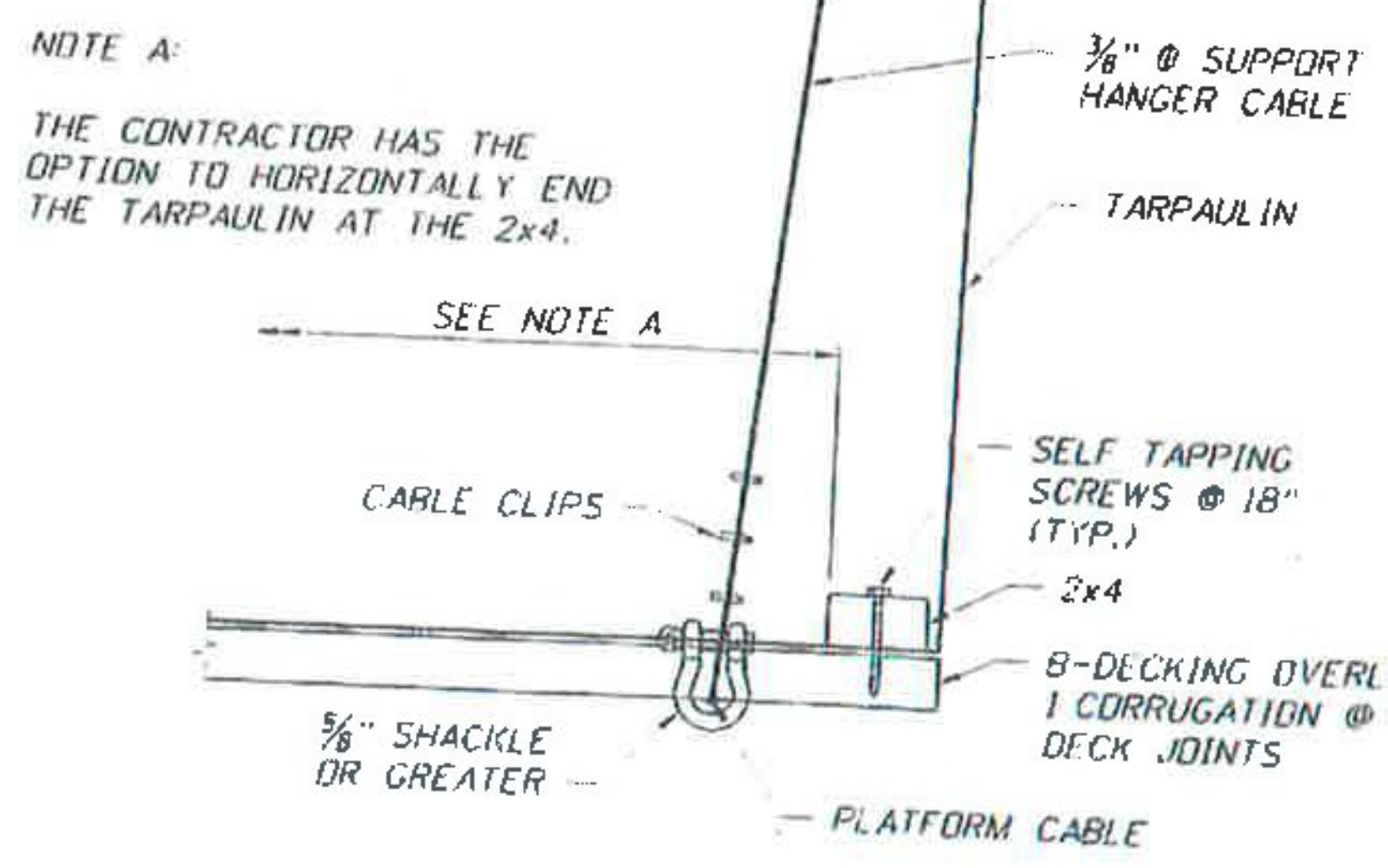


**METAL DECKING DETAIL**  
(100% TIE-OFF PER OSHA REQUIRED AT ENDS OF METAL DECKING)

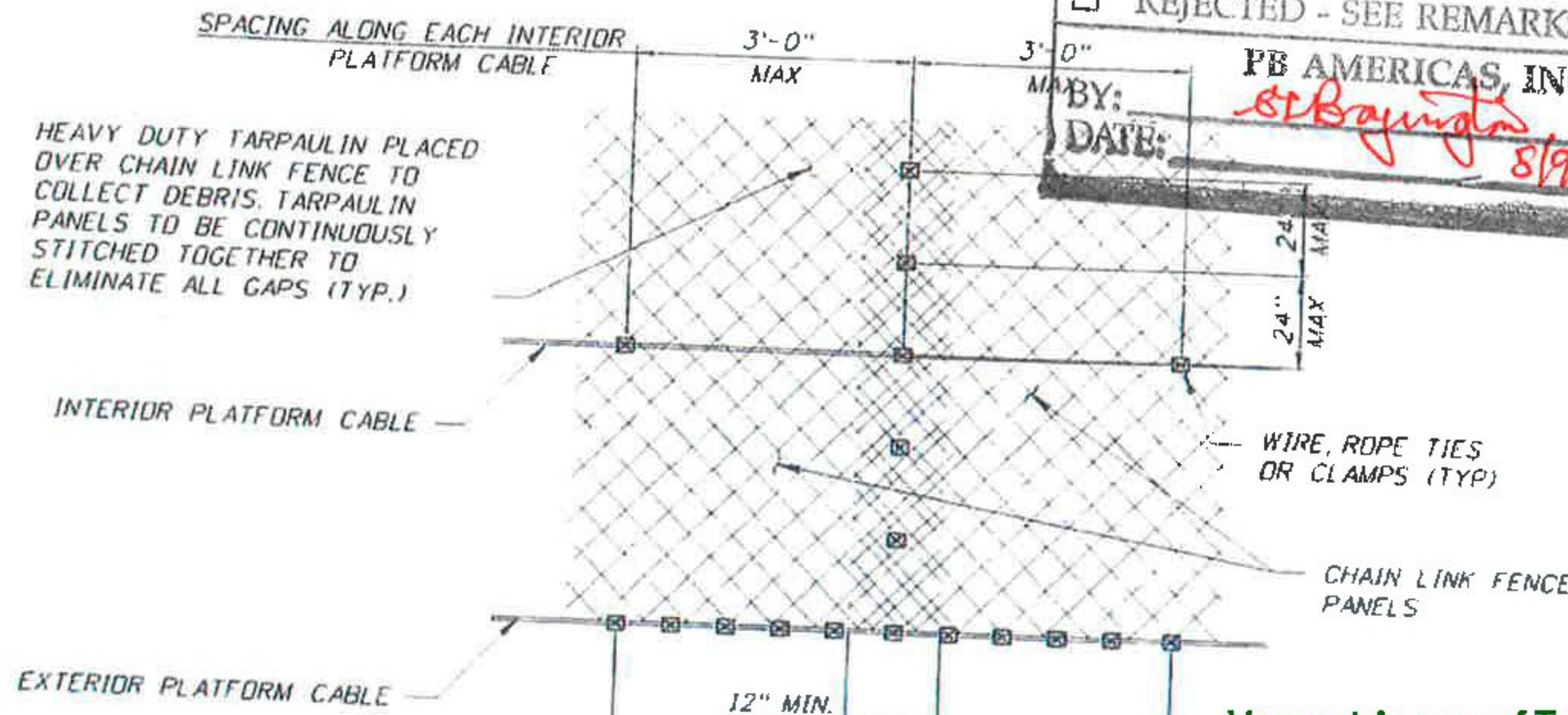


**GIRDER BAY ENCLOSURE**

SUBMITTAL REVIEW	
Review is only for general conformity to the contract drawings and specifications and shall not relieve the contractor of his entire responsibility under the contract, including among other things, dimensions to be confirmed and correlated at the jobsite, and information that pertains to the fabrication processes or to techniques of construction.	
<input checked="" type="checkbox"/>	NO EXCEPTIONS TAKEN
<input type="checkbox"/>	MAKE CORRECTIONS NOTED
<input type="checkbox"/>	RESUBMITTAL NOT REQUIRED
<input type="checkbox"/>	AMEND AND RESUBMIT
<input type="checkbox"/>	REJECTED - SEE REMARKS
PB AMERICAS, INC. BY: <i>SP Brayton</i> DATE: <i>8/9/16</i>	



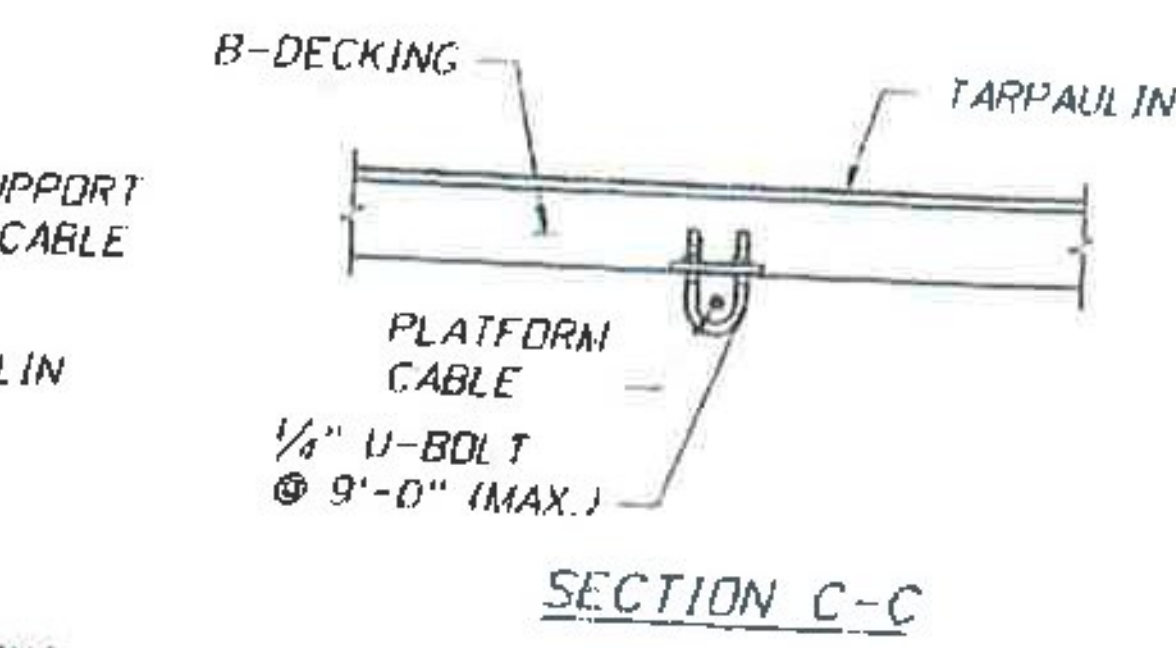
**METAL DECKING END DETAIL**



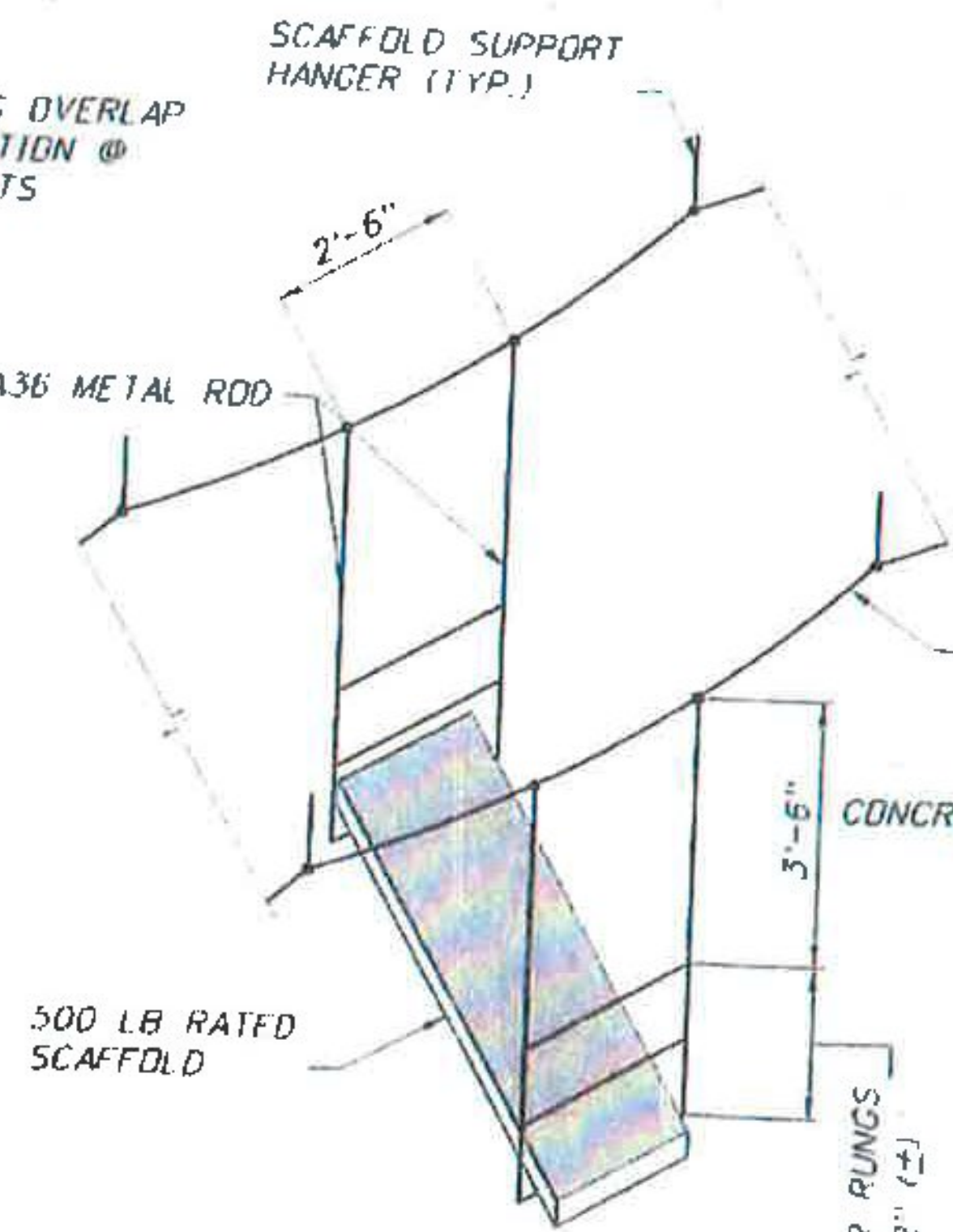
**CHAIN LINK FENCE LAYOUT**

CABLE CLIP INSTALLATION			
CABLE DIA	MIN. CABLE TURNBACK, IN	MIN. TORQUE FT-LBS	NO. OF CLIPS
3/8"	11"	45	3
1/2"	11.5"	65	3
5/8"	12"	95	3
3/4"	12"	95	3

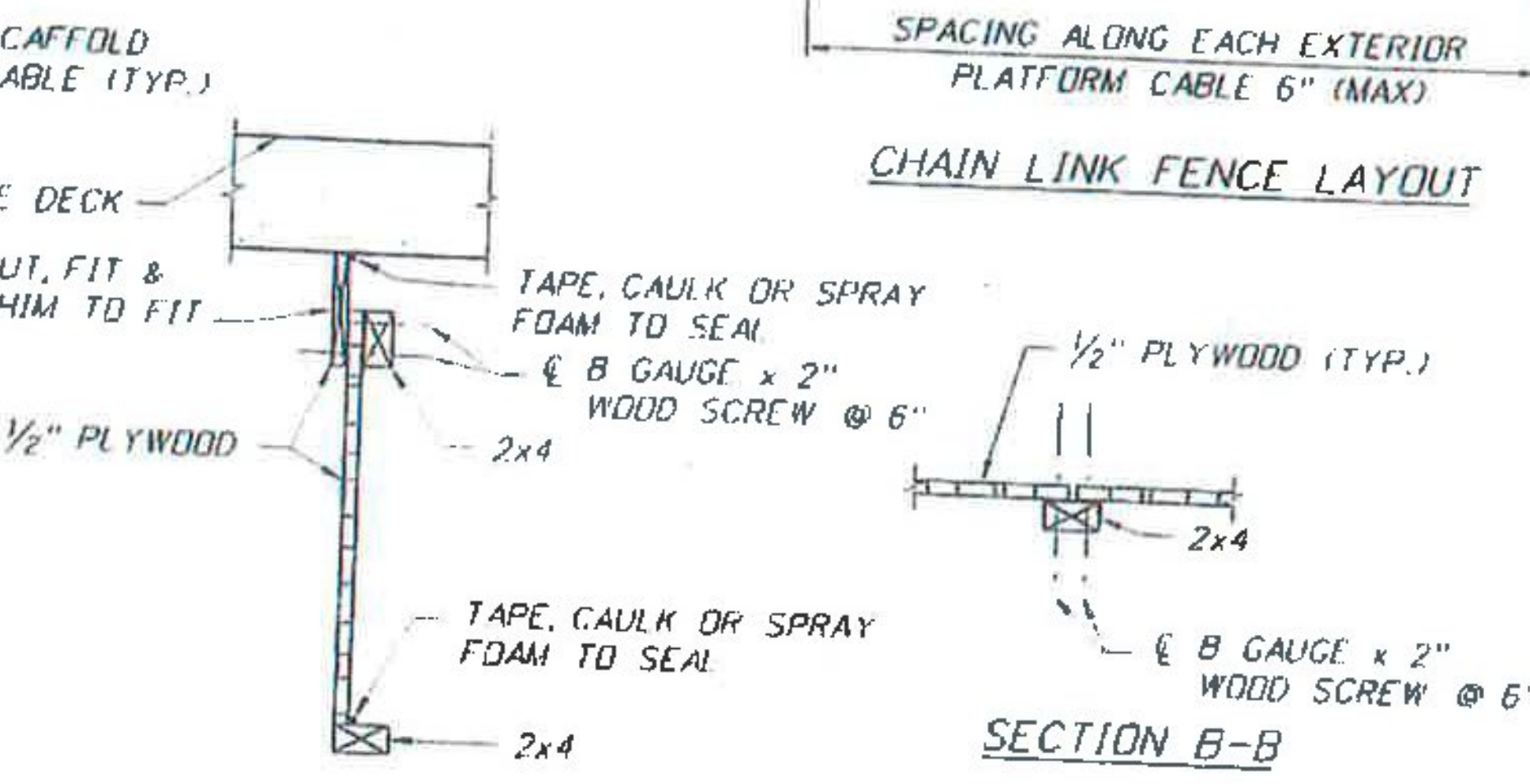
NOTE:  
ALL CABLES & CLIPS SHALL BE INSTALLED IN ACCORDANCE WITH THE MANUFACTURER'S RECOMMENDED PROCEDURES. IF CABLES SEPARATE AT 60° MAX. ANGLE, ADD ONE ADDITIONAL CLIP.



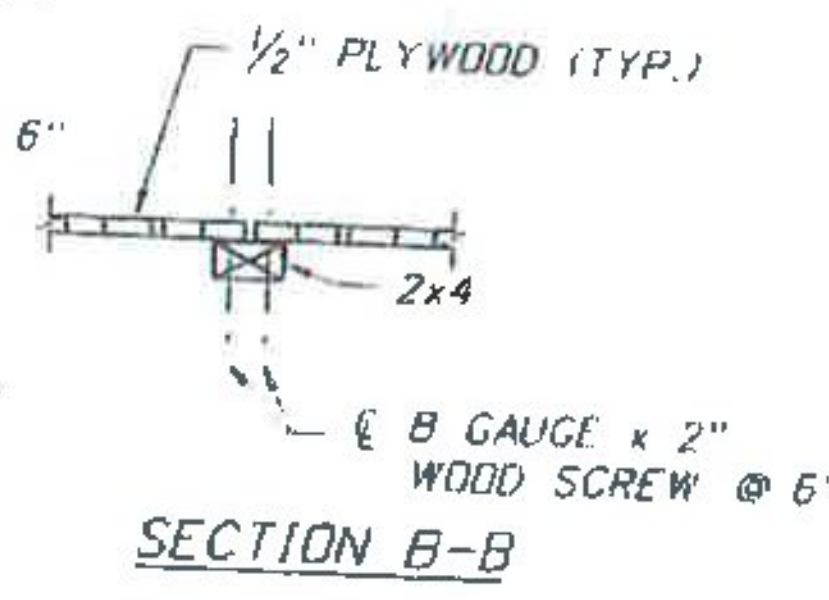
**SECTION C-C**



**SCAFFOLD ISOMETRIC**  
(OPTIONAL SUSPENDED SCAFFOLD)



**SECTION A-A**



**SECTION B-B**

Vermont Agency of Transportation  
**RECEIVED**  
 ON: **May 10, 2016**  
 and Checked for  
**CONFORMANCE**  
 BY: Mark Sargent DATE: 05/13/2016



REVISIONS		DESCRIPTION	DATE	BY
NO.	DATE			
PAUL STEJLE P.E. P.E. LICENSE NUMBER 107795 A2B ENGINEERING, LLC. 5406 N. HOOVER BLVD., SUITE 12 TAMPA, FL 33634				
<b>MONOKO, LLC.</b> 1037 PENINSULA AVENUE TARPON SPRINGS, FL 34689 PHONE (727) 940-3244 FAX (727) 279-8795				
DRAWN BY: <b>BDN 11/15</b> CHECKED BY: <b>PDB 11/15</b> DESIGNED BY: <b>MAT 11/15</b> CHECKED BY: <b>PRS 11/15</b>	VERMONT AGENCY OF TRANSPORTATION ROAD NO. COUNTY PROJECT NO. <b>BENNINGTON RUTLAND BF BPNT (16)</b>		SHEET TITLE: <b>CONTAINMENT MISCELLANEOUS DETAILS (3 OF 4)</b> PROJECT NAME: <b>FIVE BRIDGES ON OR OVER US ROUTE 7</b>	
REF. DWG. NO. <b>C-16</b>			BRIDGE NO. <b>BRIDGE NOS. ALL</b>	