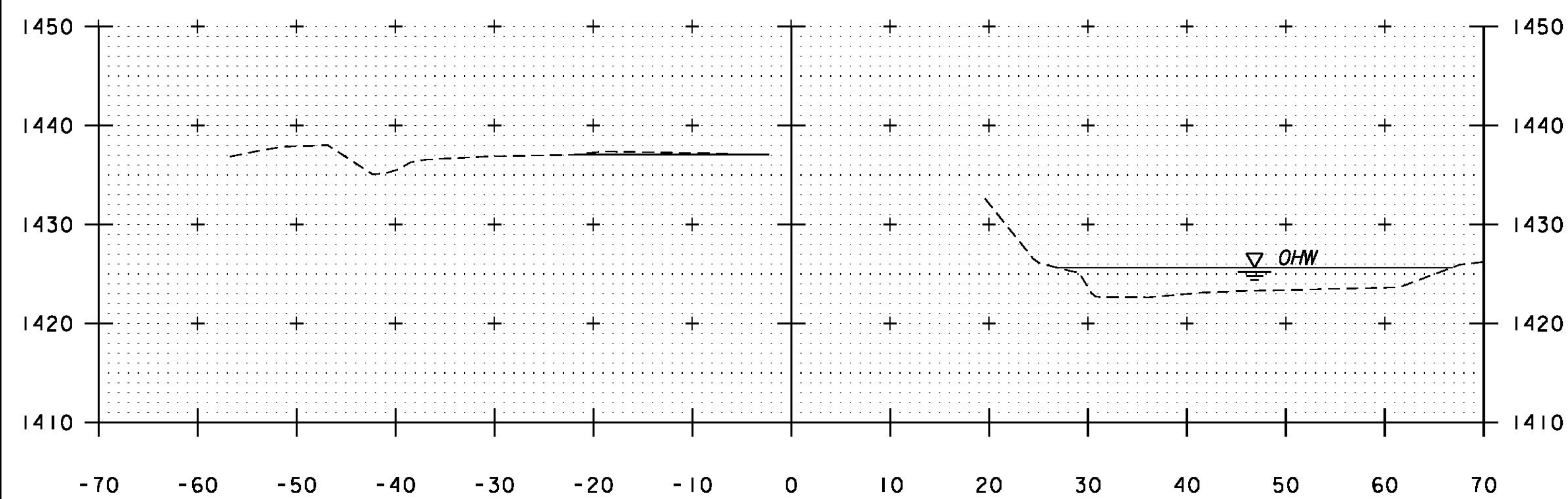
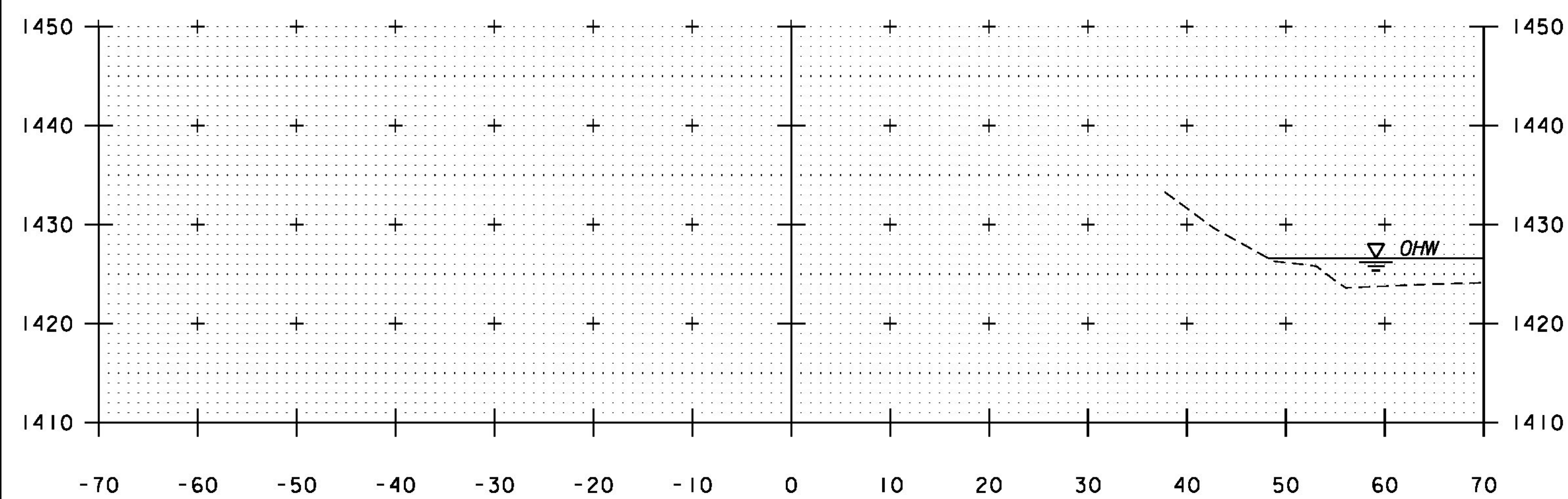


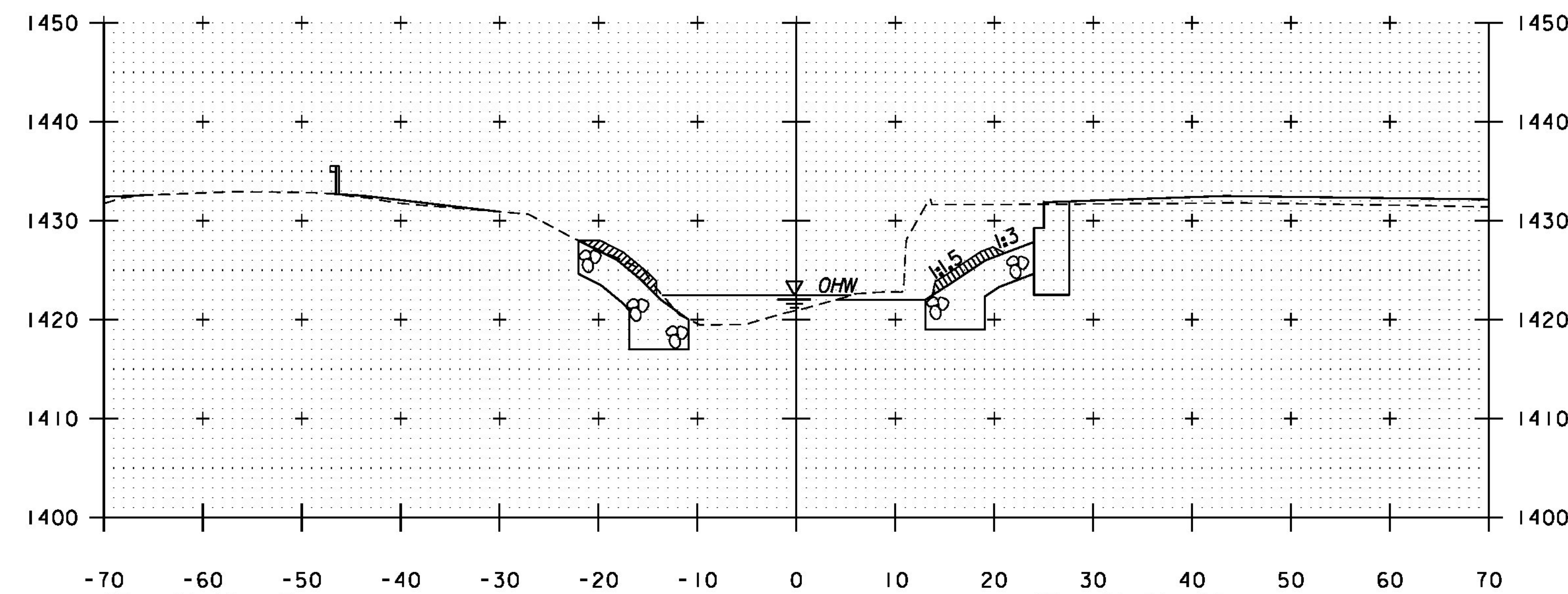
60+50



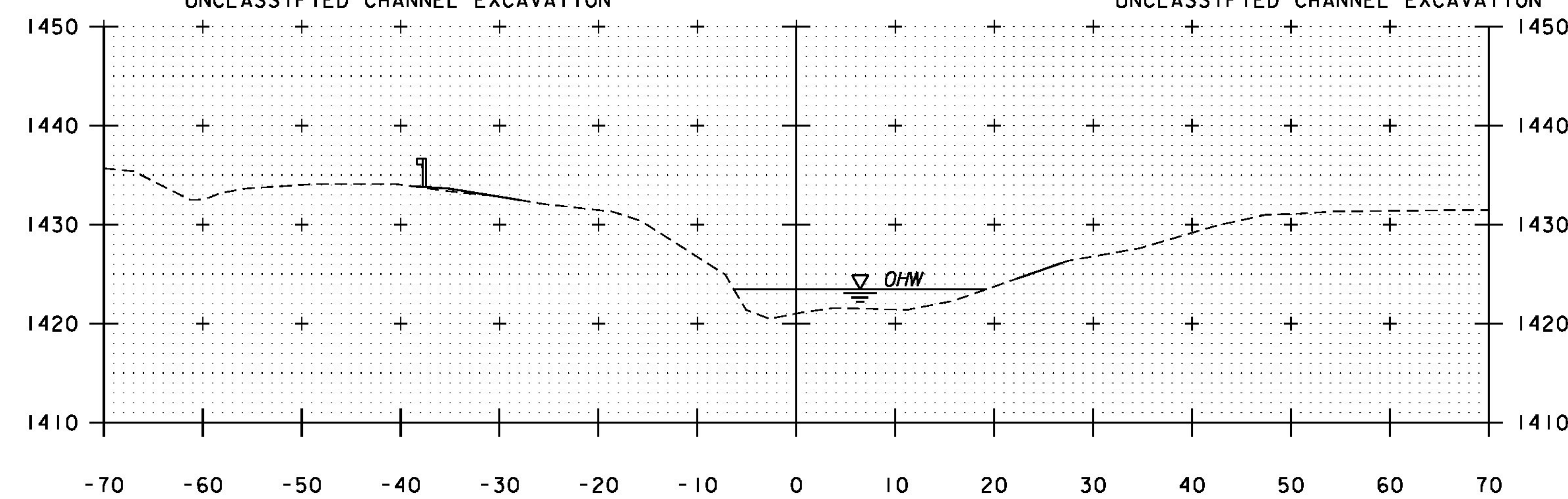
60+25



60+00



61+00



60+75

CHANNEL CROSS SECTIONS
STA. 60+00 - 61+00



PROJECT NAME: WESTON	PLOT DATE: 10/2/2015
PROJECT NUMBER: BF 013-2(13)	DRAWN BY: J.J. WESTCOTT
FILE NAME: z13b076xsl.dgn	CHECKED BY: S.E. BURBANK
PROJECT LEADER: S.E. BURBANK	SHEET 61 OF 68
DESIGNED BY: J.J. WESTCOTT	CHANNEL CROSS SECTIONS (1 OF 2)