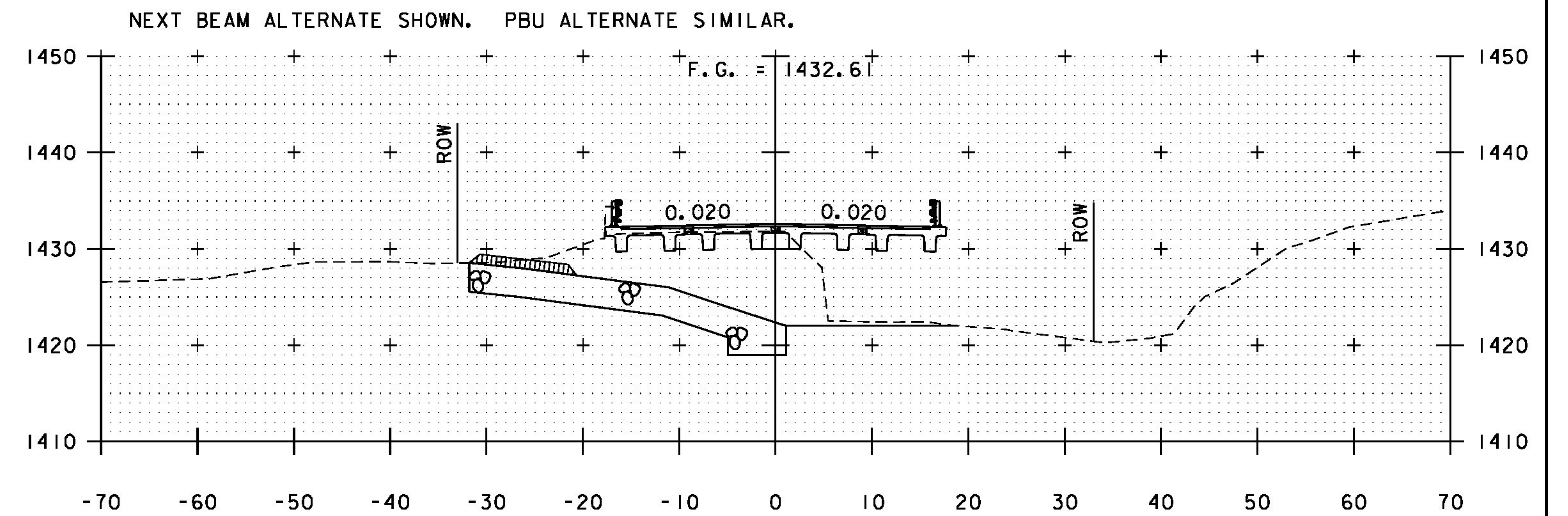
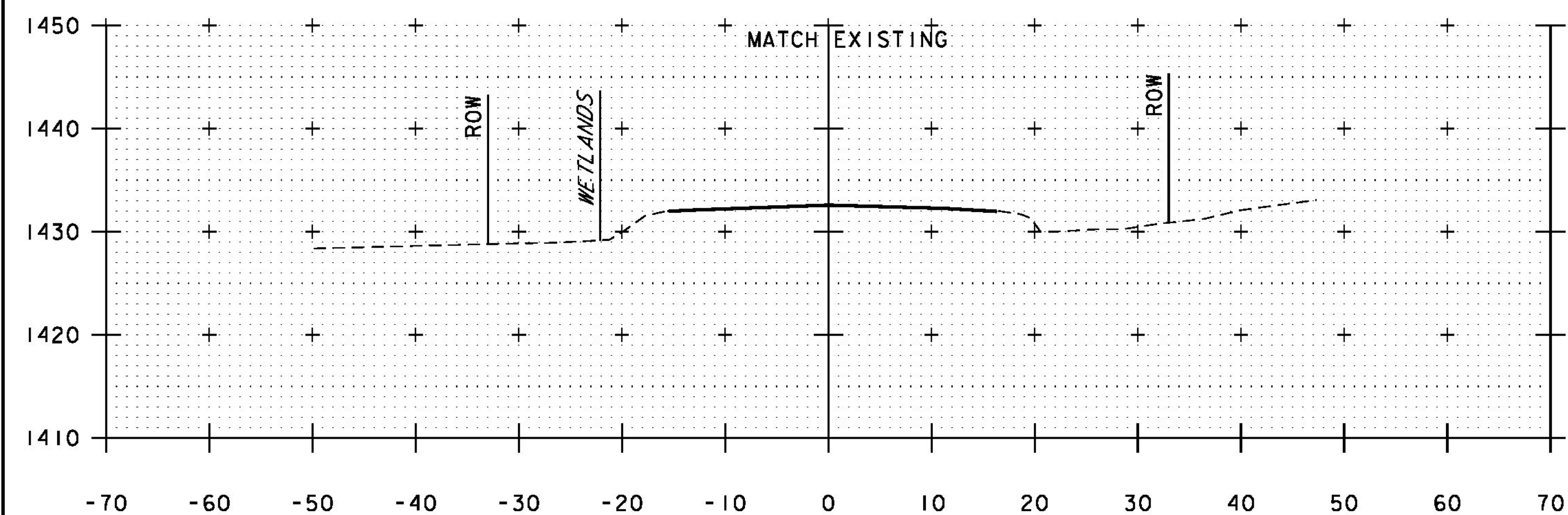


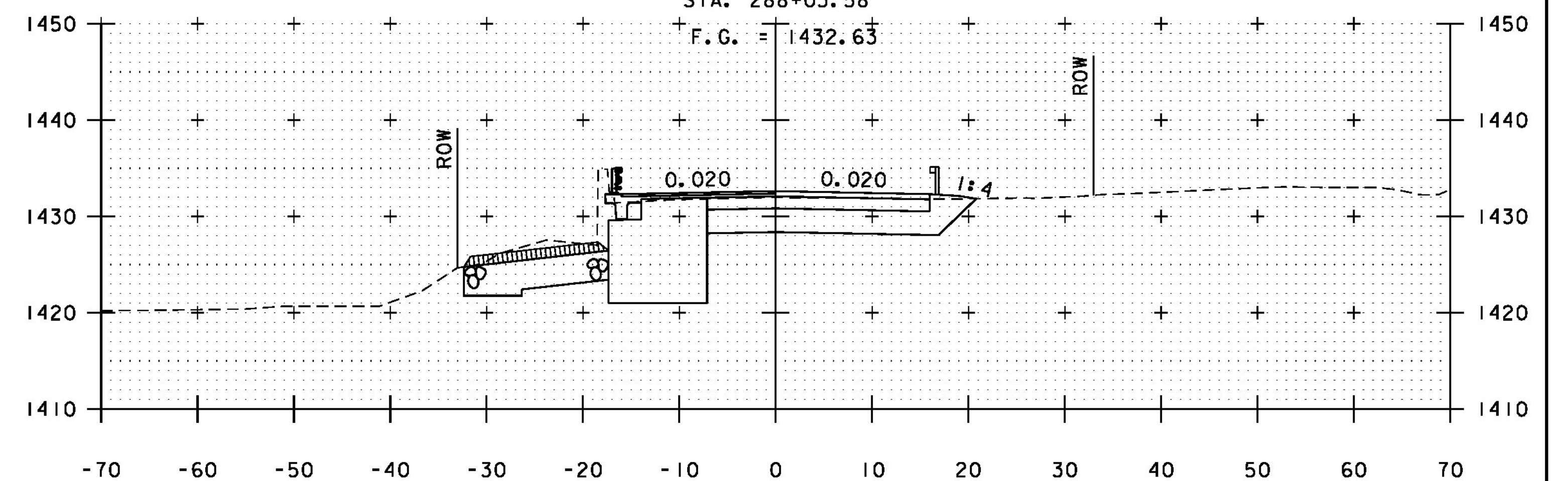
287+00



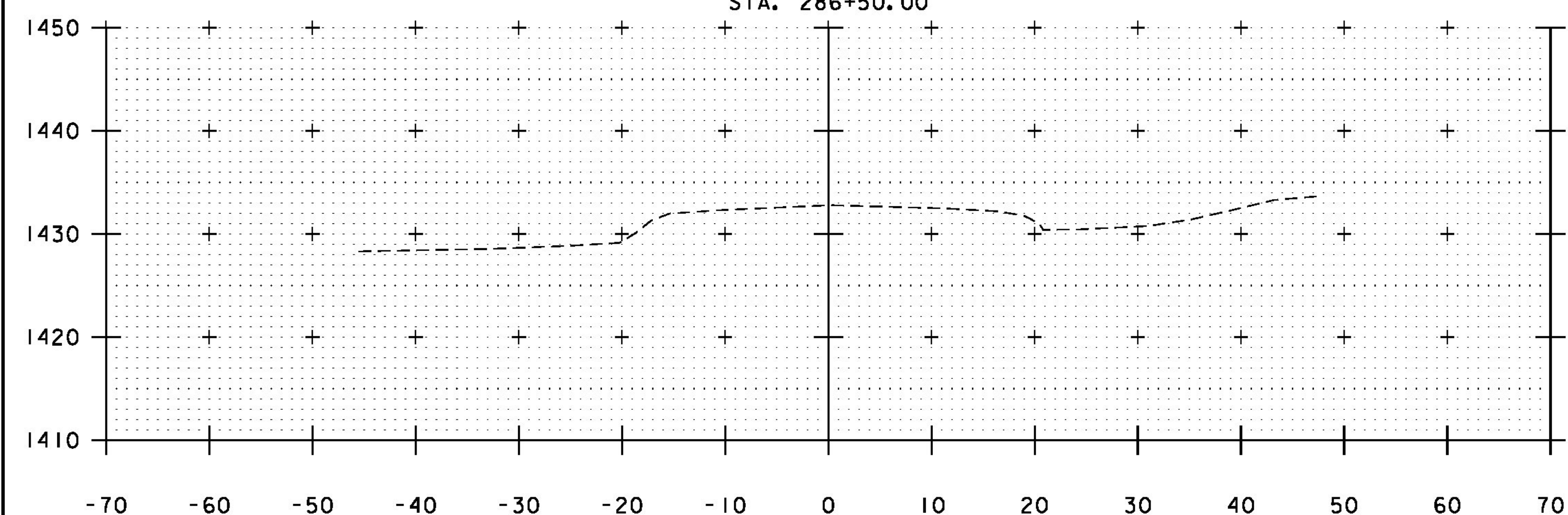
288+50  
BEGIN BRIDGE  
STA. 288+03.58



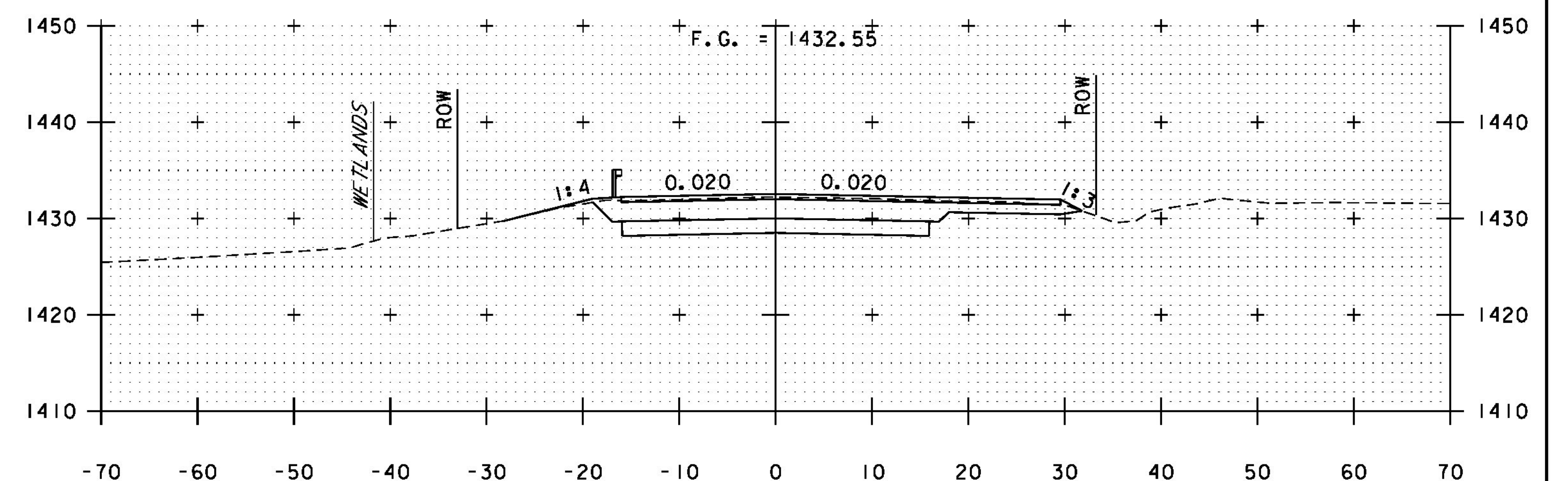
286+50  
BEGIN APPROACH  
STA. 286+50.00



288+00



286+00



287+50  
BEGIN PROJECT  
STA. 287+40.00

ROADWAY CROSS SECTIONS  
STA. 286+00 - 288+50



PROJECT NAME: WESTON  
PROJECT NUMBER: BF 013-2(13)

FILE NAME: z13b076xsl.dgn  
PROJECT LEADER: S.E. BURBANK  
DESIGNED BY: J.J. WESTCOTT  
ROADWAY CROSS SECTIONS (1 OF 2)

PLOT DATE: 10/2/2015  
DRAWN BY: J.J. WESTCOTT  
CHECKED BY: S.E. BURBANK  
SHEET 55 OF 68