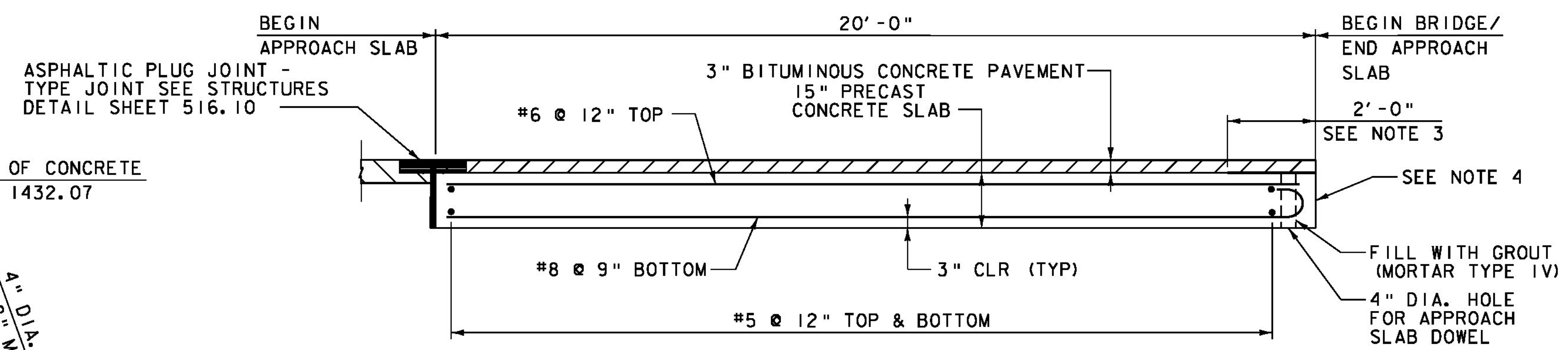
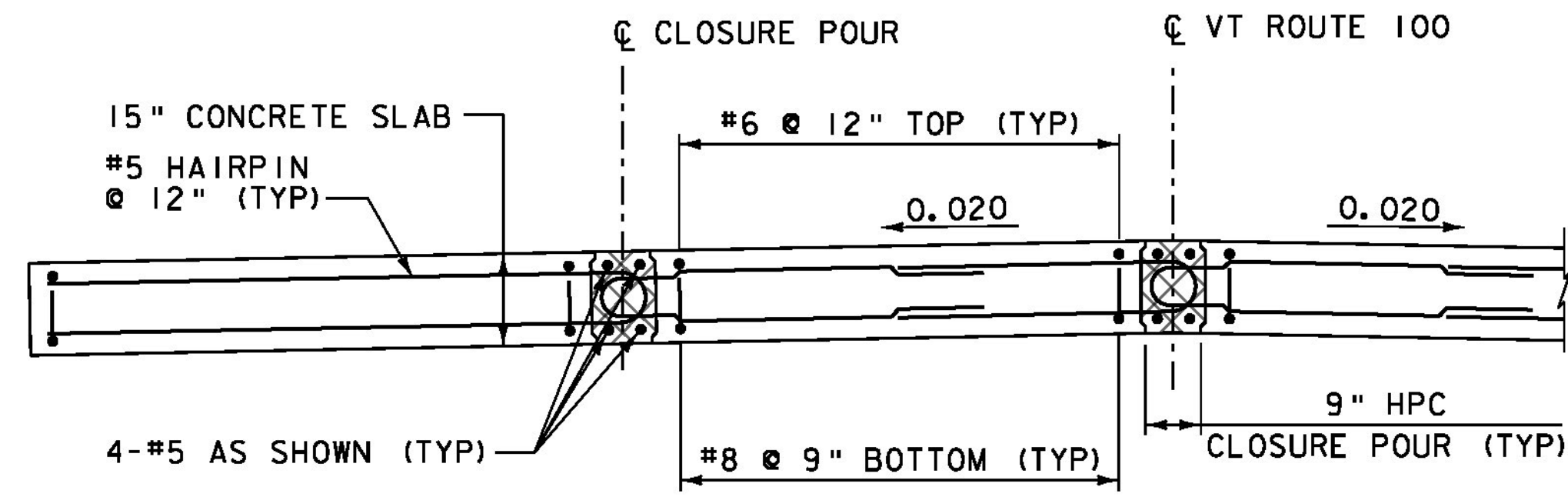


APPROACH SLAB NO. 1 PLAN
SCALE 1/2" = 1'-0"

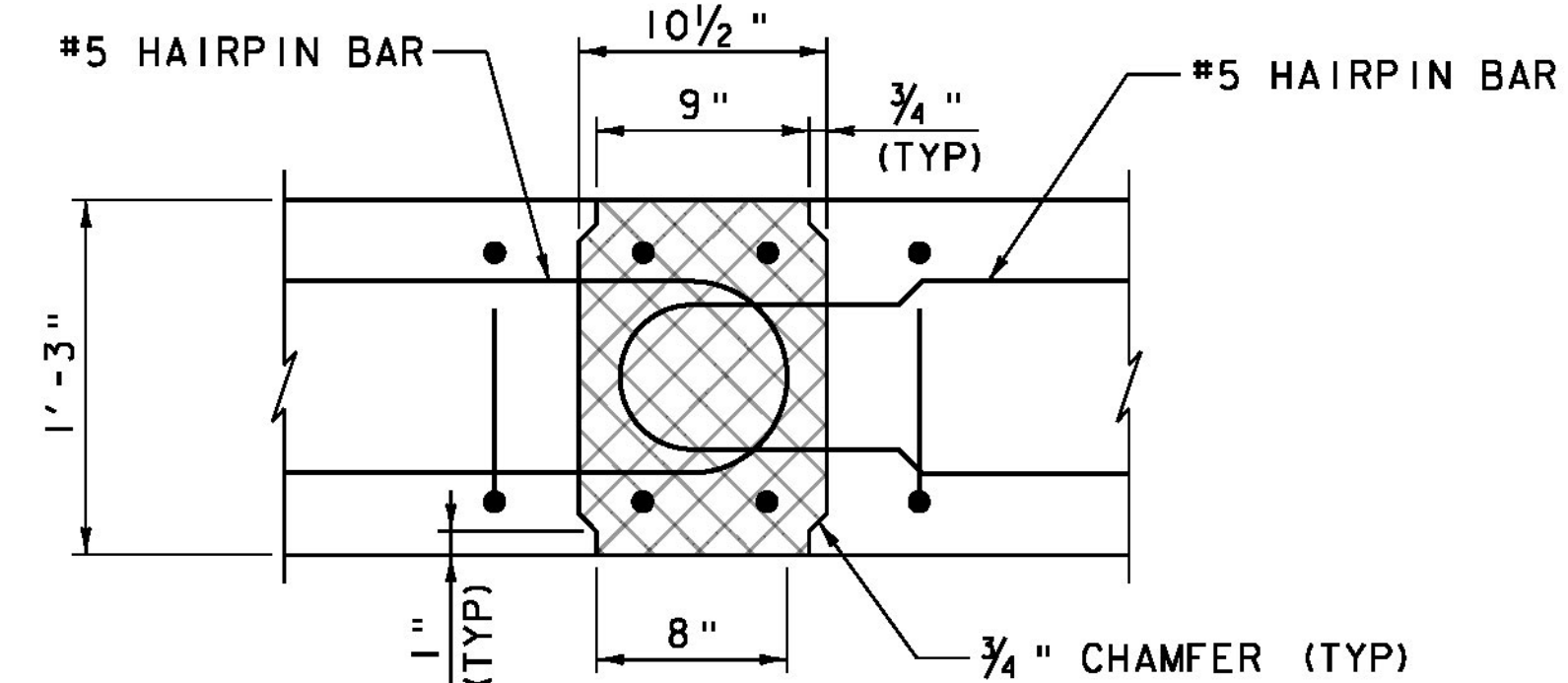


SECTION A-A
SCALE 1/2" = 1'-0"

LIMITS OF SPECIAL PROVISION (HIGH PERFORMANCE CONCRETE, RAPID SET) (FPO) CLOSURE POUR



SECTION B-B
SCALE 1/2" = 1'-0"



JOINT DETAIL
SCALE 1/2" = 1'-0"

NOTE:
 NF = NEAR FACE
 FF = FAR FACE
 EF = EACH FACE
 ▲ = CUT TO FIT IN FIELD
 3" CLEAR, UNLESS OTHERWISE SPECIFIED ON THE PLANS.
 2'-2" BAR LAP UNLESS OTHERWISE SPECIFIED ON THE PLANS.

- NOTES:**
- LIFTING POINTS IN APPROACH SLABS TO BE DESIGNED BY PRECASTER AND SUBMITTED WITH CALCULATIONS.
 - CONTRACTOR SHALL INCLUDE IN THE FABRICATION DRAWINGS THE METHOD AND DETAILS FOR ESTABLISHING CONTINUOUS CONTACT WITH SUBGRADE AND SUPPORT FOR PRECAST APPROACH SLABS.
 - MEMBRANE WATERPROOFING, SPRAY APPLIED SHALL BE APPLIED 2'-0" ONTO APPROACH SLAB FROM BEGIN/END BRIDGE.
 - FRONT FACE OF APPROACH SLAB SHALL BE VERTICAL WHEN PLACED ON APPROACH SLAB SEAT.

PROJECT NAME: WESTON	FILE NAME: z13b076slab.dgn	PLOT DATE: 10/2/2015
PROJECT NUMBER: BF 013-2(13)	PROJECT LEADER: S.E. BURBANK	DRAWN BY: J.J. WESTCOTT
	DESIGNED BY: J.J. WESTCOTT	CHECKED BY: S.E. BURBANK
	PRECAST APPROACH SLABS (1 OF 2)	SHEET 51 OF 68

