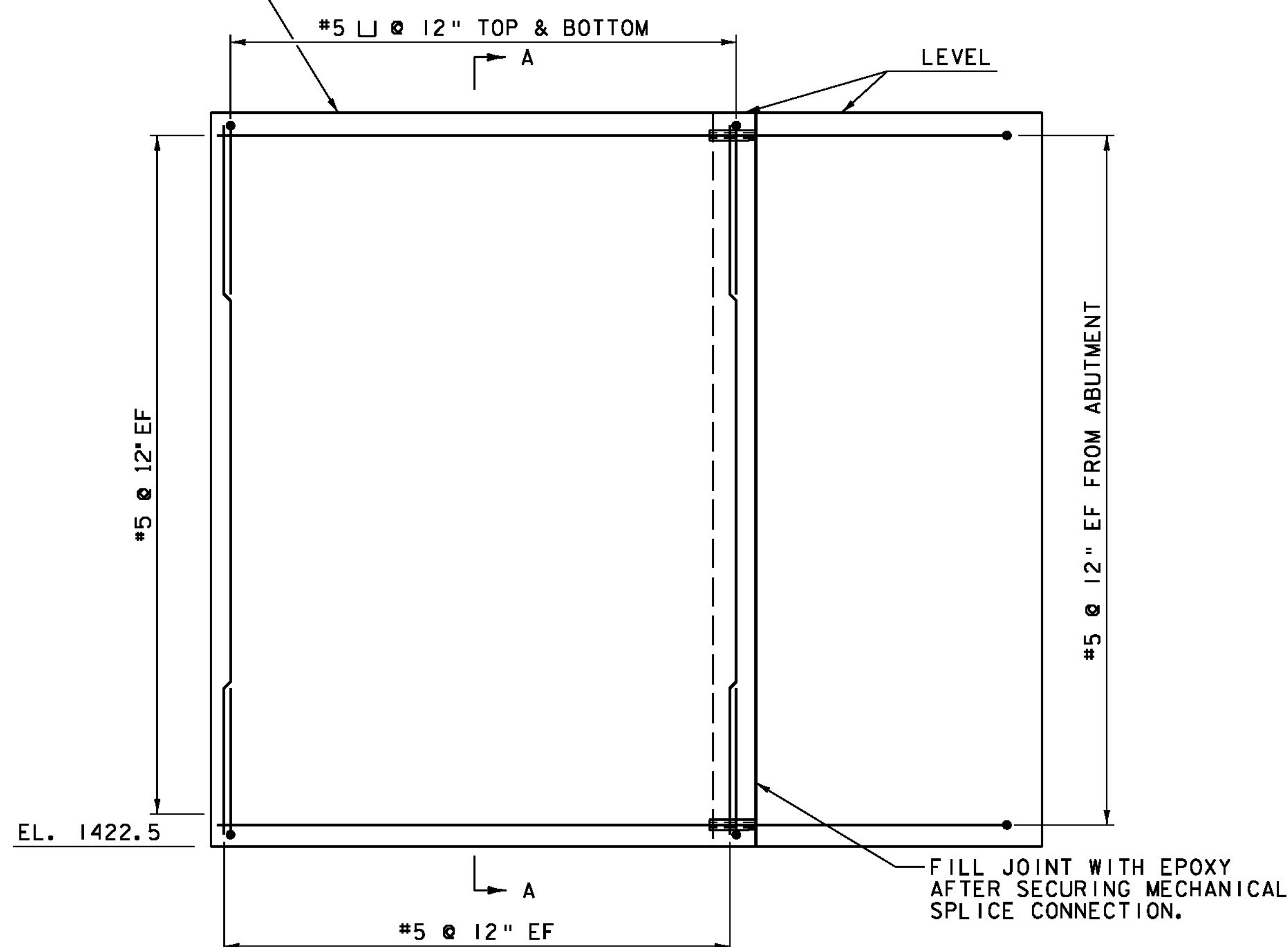


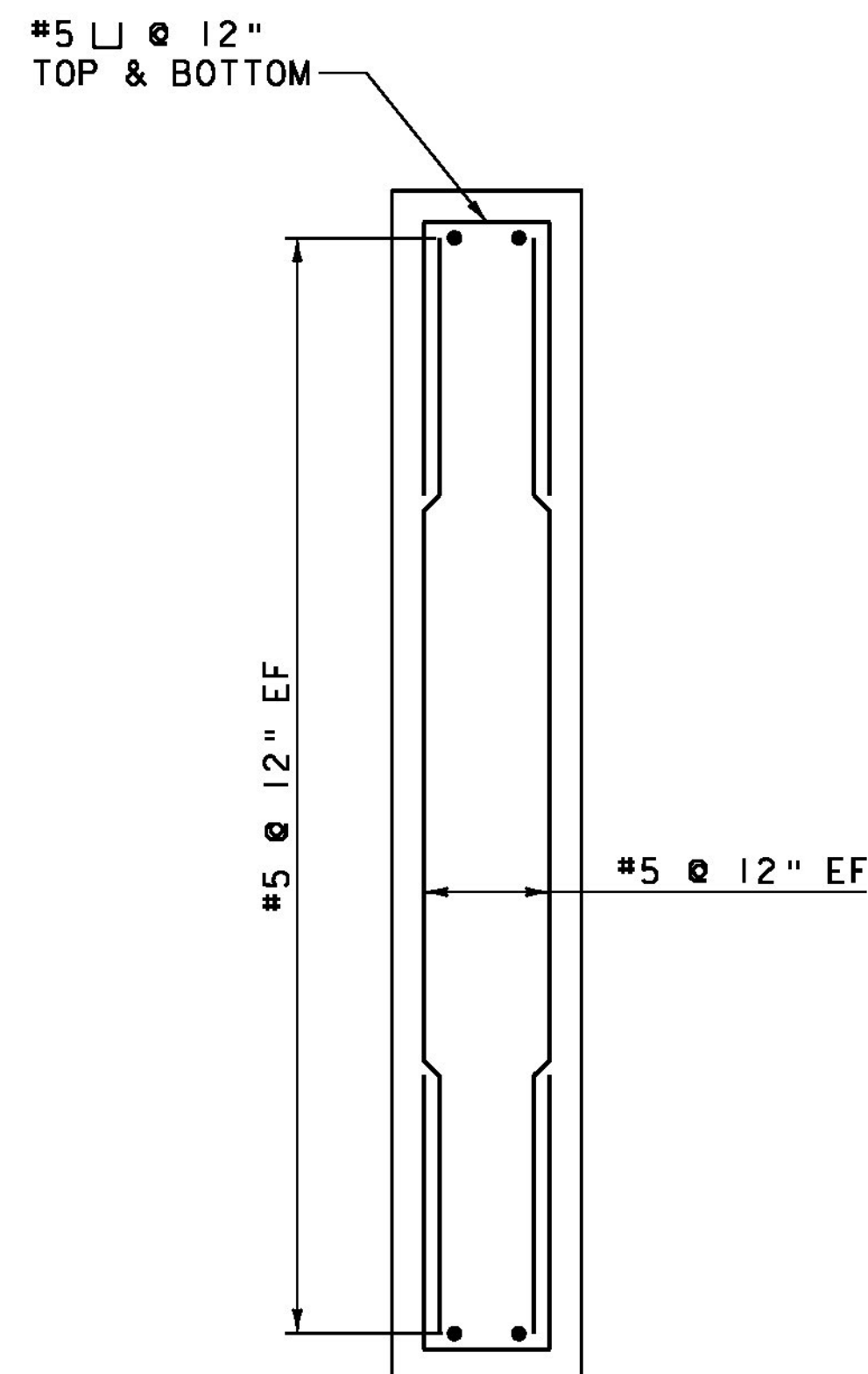
NOTE:
 NF = NEAR FACE
 FF = FAR FACE
 EF = EACH FACE
 ▲ = CUT TO FIT IN FIELD
 3" CLEAR, UNLESS OTHERWISE SPECIFIED ON THE PLANS.
 2'-2" BAR LAP UNLESS OTHERWISE SPECIFIED ON THE PLANS.

WW 1 EL. 1432.31
 WW 2 EL. 1432.32
 WW 3 EL. 1432.27
 WW 4 EL. 1432.24

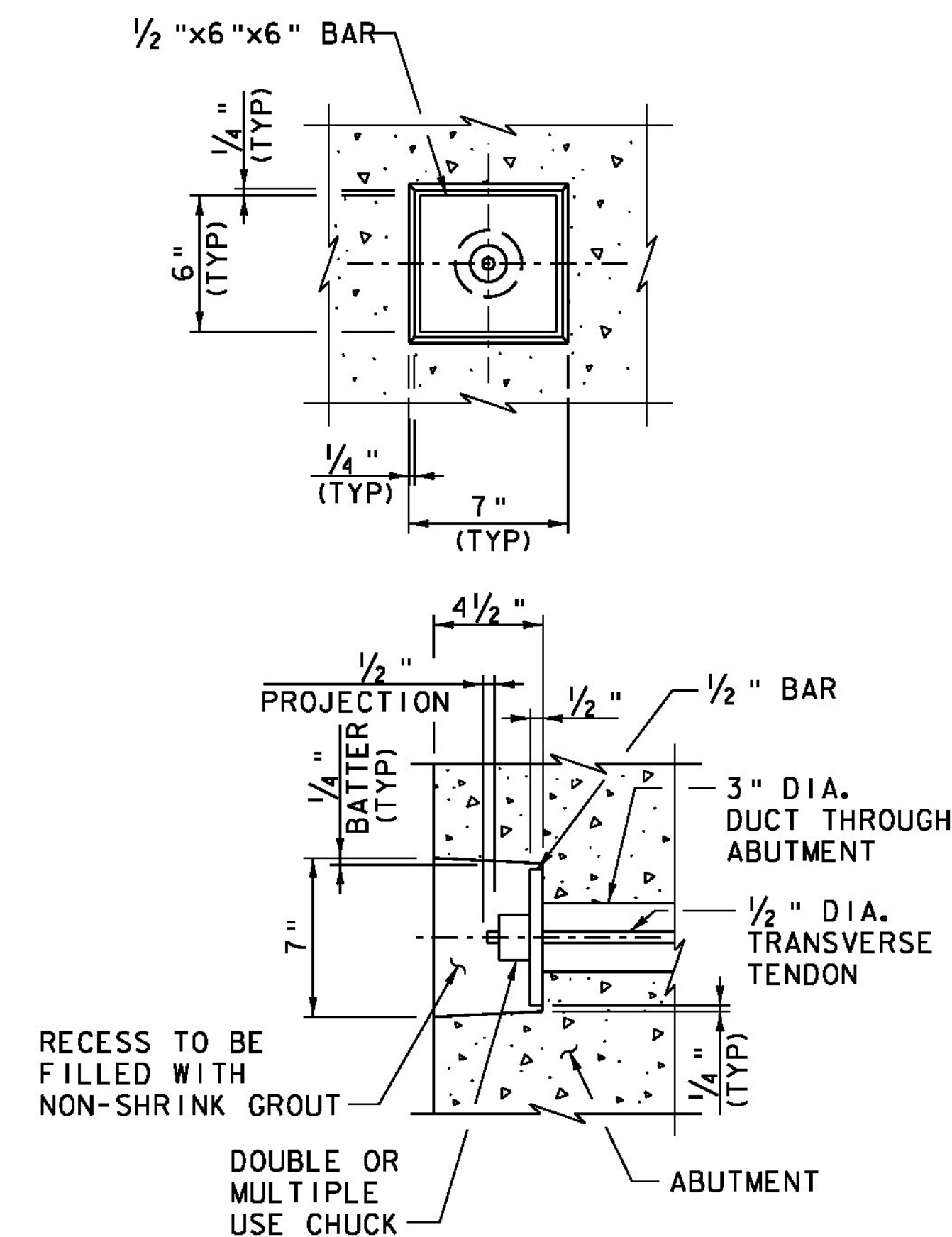
WINGWALL NO. 1, 2, 3, & 4 PLAN
 SCALE 3/4" = 1'-0"



WINGWALL NO 2 ELEVATION
 WINGWALL 1, 3, AND 4 SIMILAR
 SCALE 3/4" = 1'-0"



SECTION A-A
 SCALE 3/4" = 1'-0"



TRANSVERSE TENDON DETAIL
 NOT TO SCALE

TRANSVERSE TENDON NOTES:

- MORTAR FOR EXTERIOR POCKETS SHALL BE THE SAME COLOR AND TEXTURE AS THE ABUTMENT CONCRETE.
- OTHER ANCHORAGE SYSTEMS MAY BE SUBSTITUTED WITH THE APPROVAL OF THE ENGINEER. ALTERNATE ANCHORAGE SYSTEMS SHALL BE WATER TIGHT AND CORROSION PROOF.
- TRANSVERSE TENDONS SHALL BE COVERED BY A SEAMLESS POLYPROPYLENE SHEATH (WITH CORRSION INHIBITING GREASE BETWEEN THE STRAND/ANCHOR AND THE SHEATH) FOR THE FULL LENGTH OF THE TENDON/ANCHOR, EXCEPT AT THE ANCHORAGE LOCATION.

NOTES:

- PAYMENT FOR ALL REINFORCING STEEL AND MECHANICAL CONNECTORS WILL BE INCLUDED IN THE UNIT PRICE BID FOR THE APPROPRIATE PRECAST CONTRACT ITEM. THE CONTRACTOR SHALL PROVIDE THREE (3) MECHANICAL CONNECTORS ASSEMBLED PER SPLICE SIZE FOR TESTING. THE ASSEMBLY SHALL BE WITNESSED BY THE ENGINEER.
- ALL REINFORCING STEEL IN WINGWALLS SHALL MEET REQUIREMENTS OF SECTION 507 FOR LEVEL II REINFORCING. ALL MECHANICAL CONNECTORS IN WINGWALLS SHALL MEET THE REQUIREMENTS OF SECTION 507 FOR LEVEL I (EPOXY COATED) REINFORCING.
- THE BRIDGE PLAQUE FURNISHED BY THE AGENCY SHALL BE CAST INTO WINGWALL 2. ALL WORK TO INSTALL THE PLAQUE SHALL BE INCIDENTAL TO THE APPROPRIATE PRECAST CONTRACT ITEM. SEE SD-502.00 FOR FURTHER DETAILS.
- PAYMENT FOR EPOXY GROUT WILL BE CONSIDERED INCIDENTAL TO APPROPRIATE PRECAST PAY ITEM.

PROJECT NAME: WESTON
 PROJECT NUMBER: BF 013-2(13)

FILE NAME: z13b076sub2.dgn
 PROJECT LEADER: S.E. BURBANK
 DESIGNED BY: J.J. WESTCOTT
 WINGWALL DETAILS

PLOT DATE: 10/2/2015
 DRAWN BY: J.J. WESTCOTT
 CHECKED BY: L.S. CHERVINCKY
 SHEET 49 OF 68

