
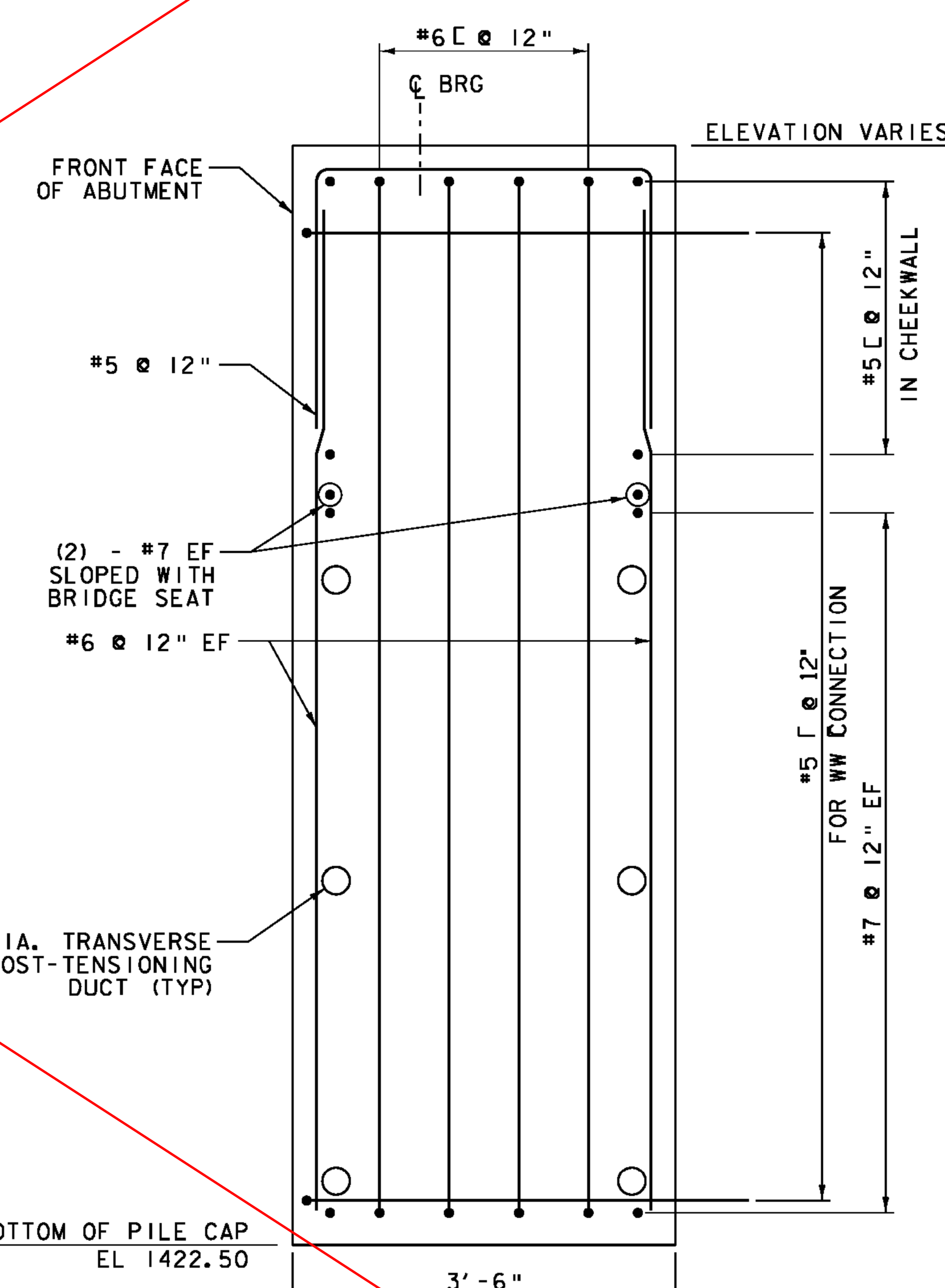
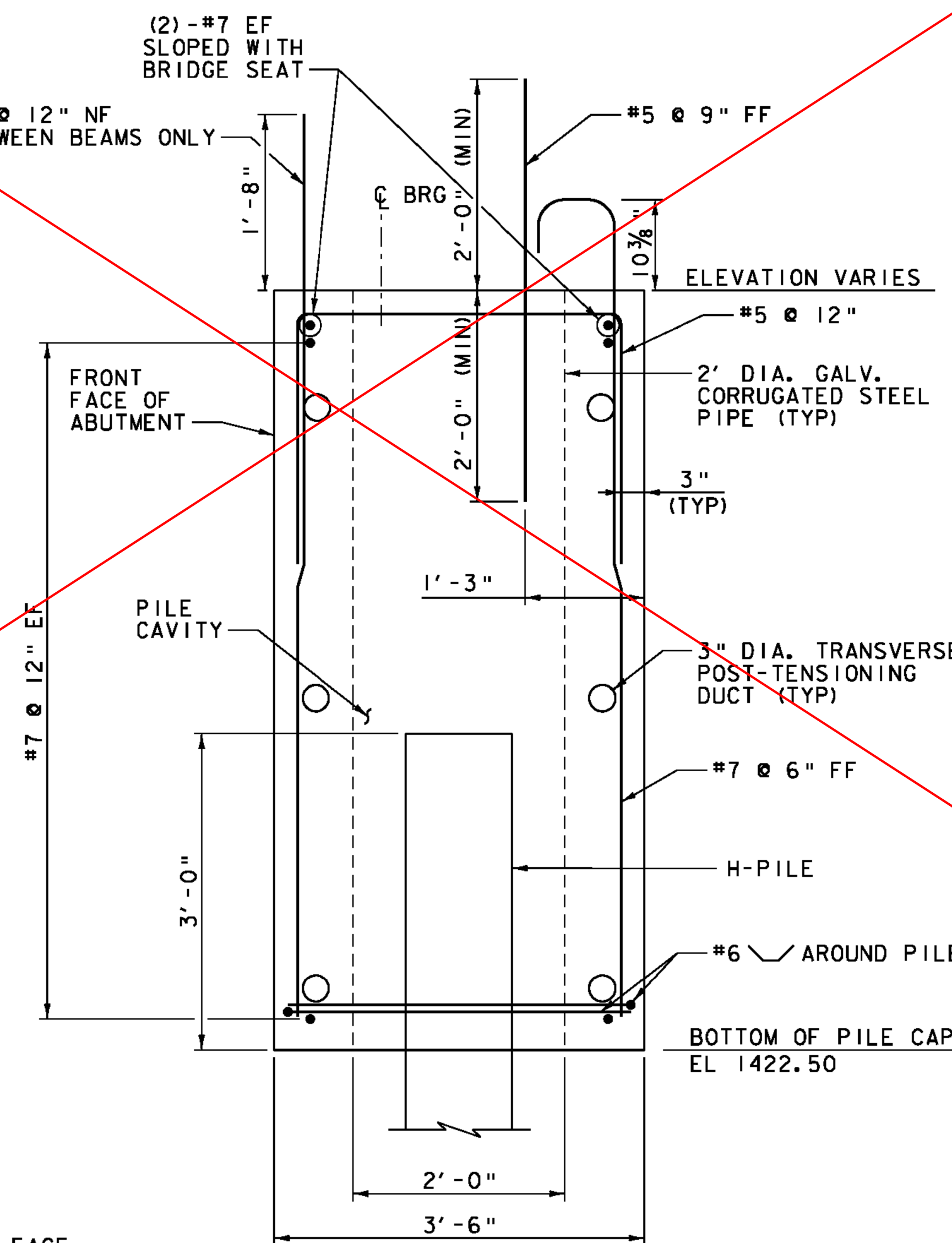
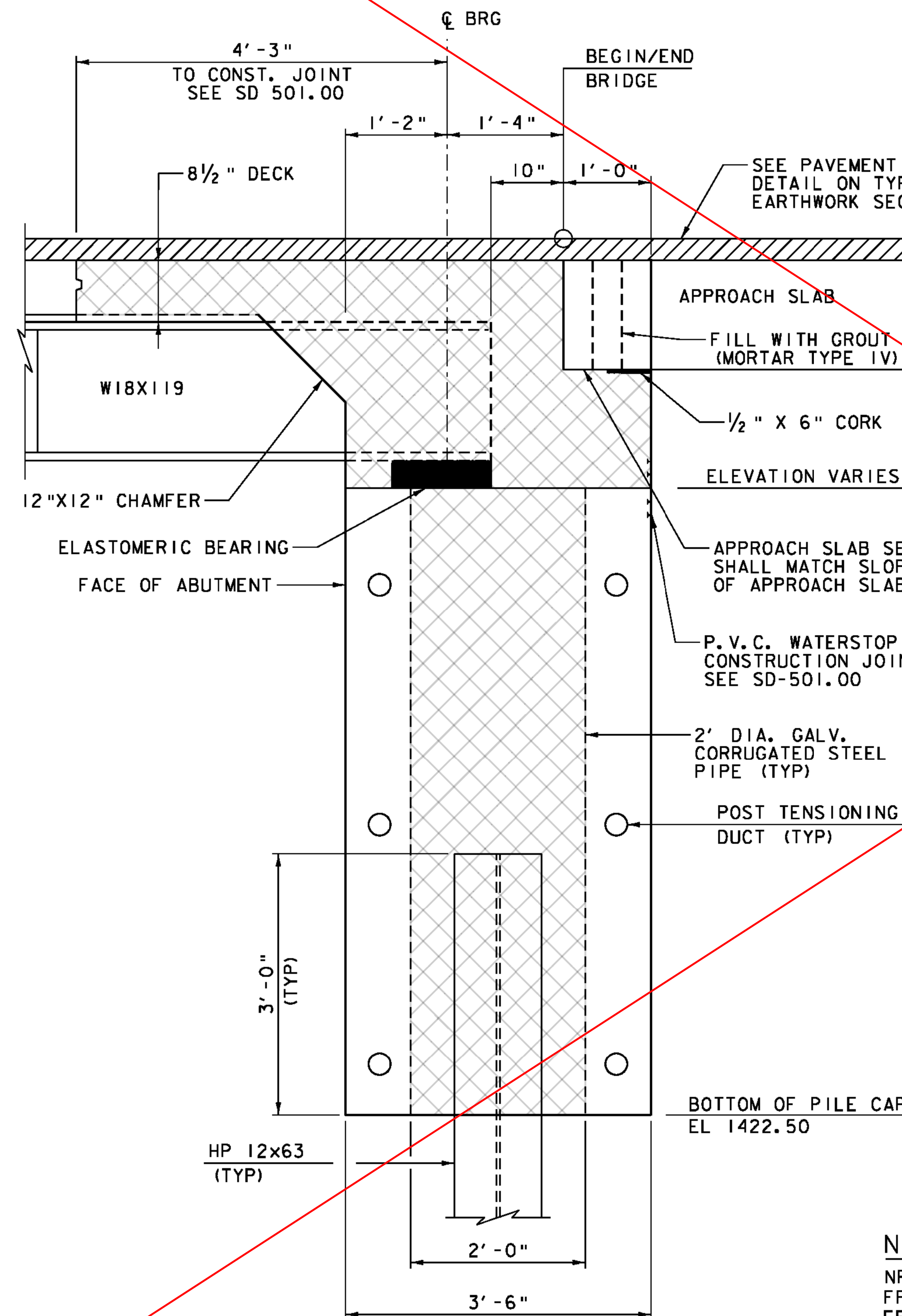


**NOTES:**

1. ABUTMENTS SHALL BE PRECAST CONCRETE ACCORDING TO THE APPROPRIATE PRECAST ITEM.
2. SEE PROJECT NOTES FOR ADDITIONAL FABRICATION, CONSTRUCTION, AND SEQUENCE NOTES.
3. ELEVATIONS SHOWN ARE FOR ABUTMENT NO 1 AND ABUTMENT NO 2.

 LIMITS OF SPECIAL PROVISION (HIGH PERFORMANCE CONCRETE, RAPID SET) (FPQ) CLOSURE POUR



**NOTE:**  
 NF = NEAR FACE  
 FF = FAR FACE  
 EF = EACH FACE  
 $\blacktriangle$  = CUT TO FIT IN FIELD  
 3" CLEAR, UNLESS OTHERWISE SPECIFIED ON THE PLANS.  
 2'-2" BAR LAP UNLESS OTHERWISE SPECIFIED ON THE PLANS.



PROJECT NAME: WESTON	PLOT DATE: 10/2/2015
PROJECT NUMBER: BF 013-2(13)	DRAWN BY: J.J. WESTCOTT
FILE NAME: z13b076sub2.dgn	CHECKED BY: L.S. CHERVINCKY
PROJECT LEADER: S.E. BURBANK	SHEET 46 OF 68
DESIGNED BY: J.J. WESTCOTT	
PBU ABUTMENT SECTIONS	