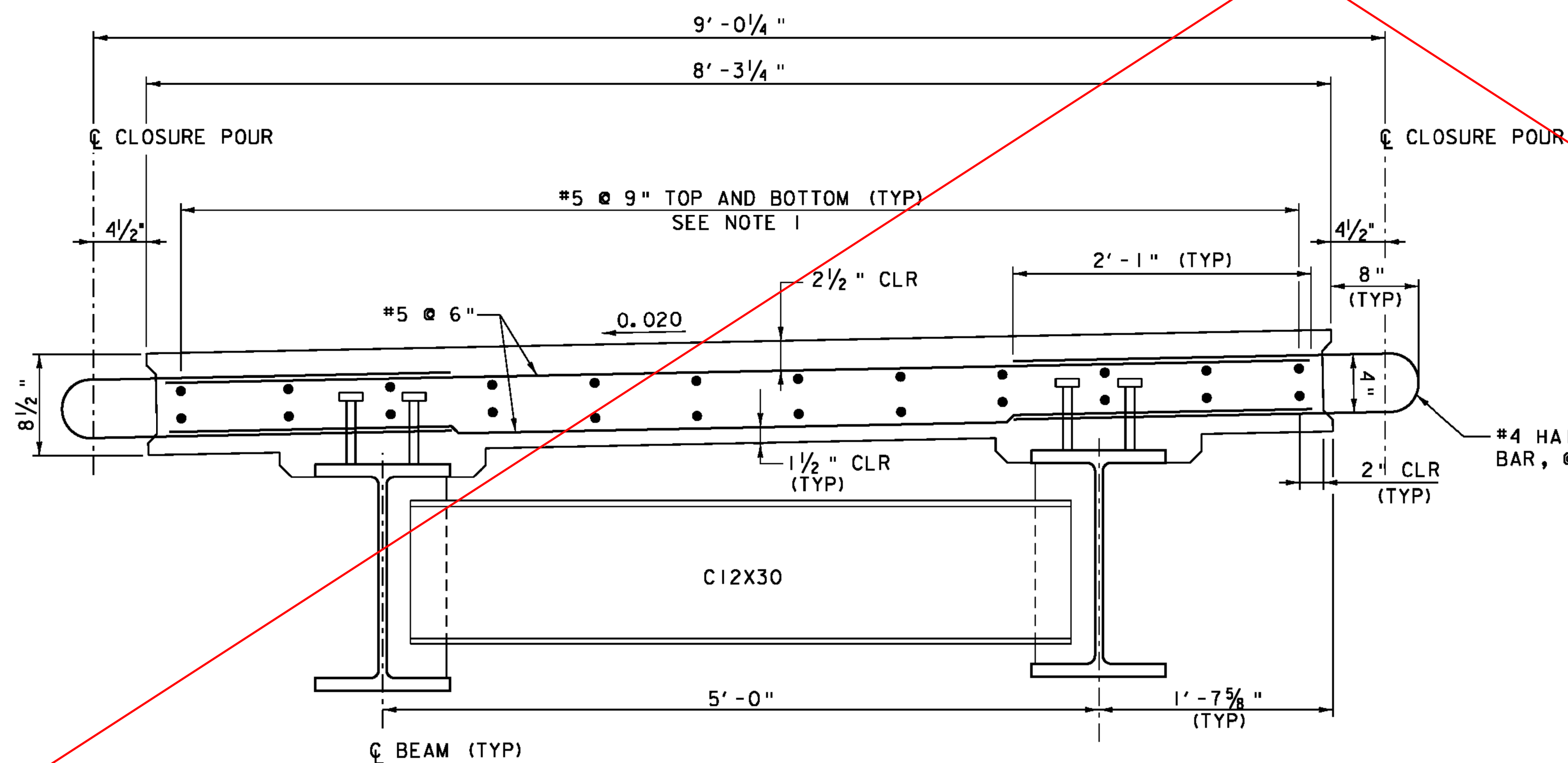


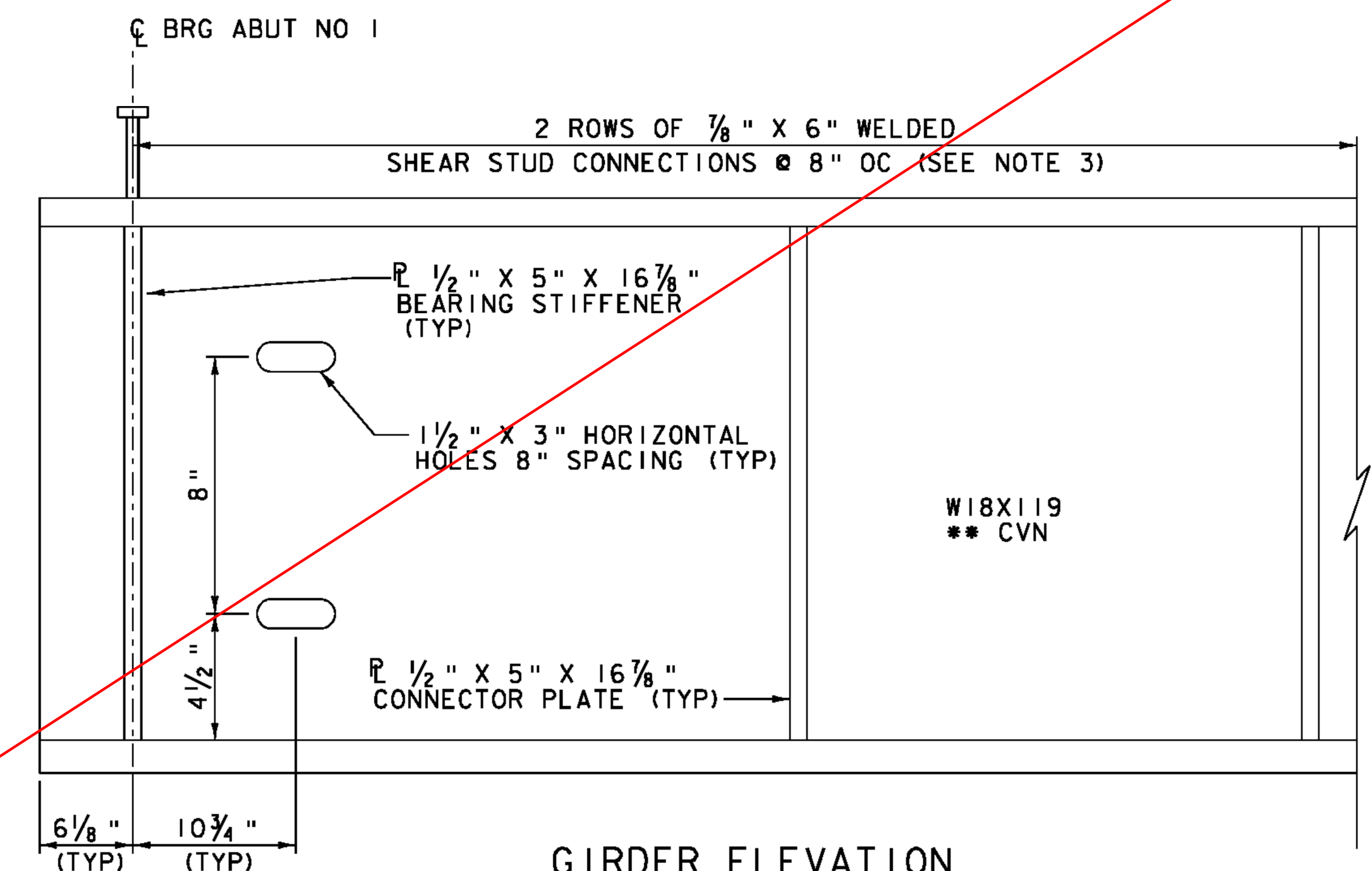
EXTERIOR MODULE DETAIL

(PBU 1 SHOWN, PBU 4 HAS LIP OPPOSITE HAND)
SCALE 1/2" = 1'-0"



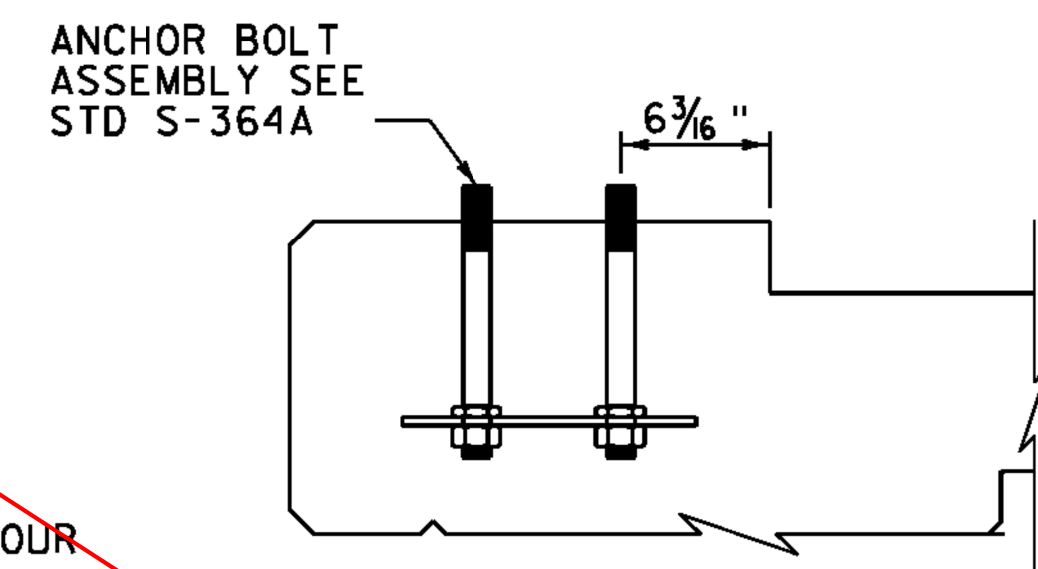
INTERIOR MODULE DETAIL

SCALE 1/2" = 1'-0"



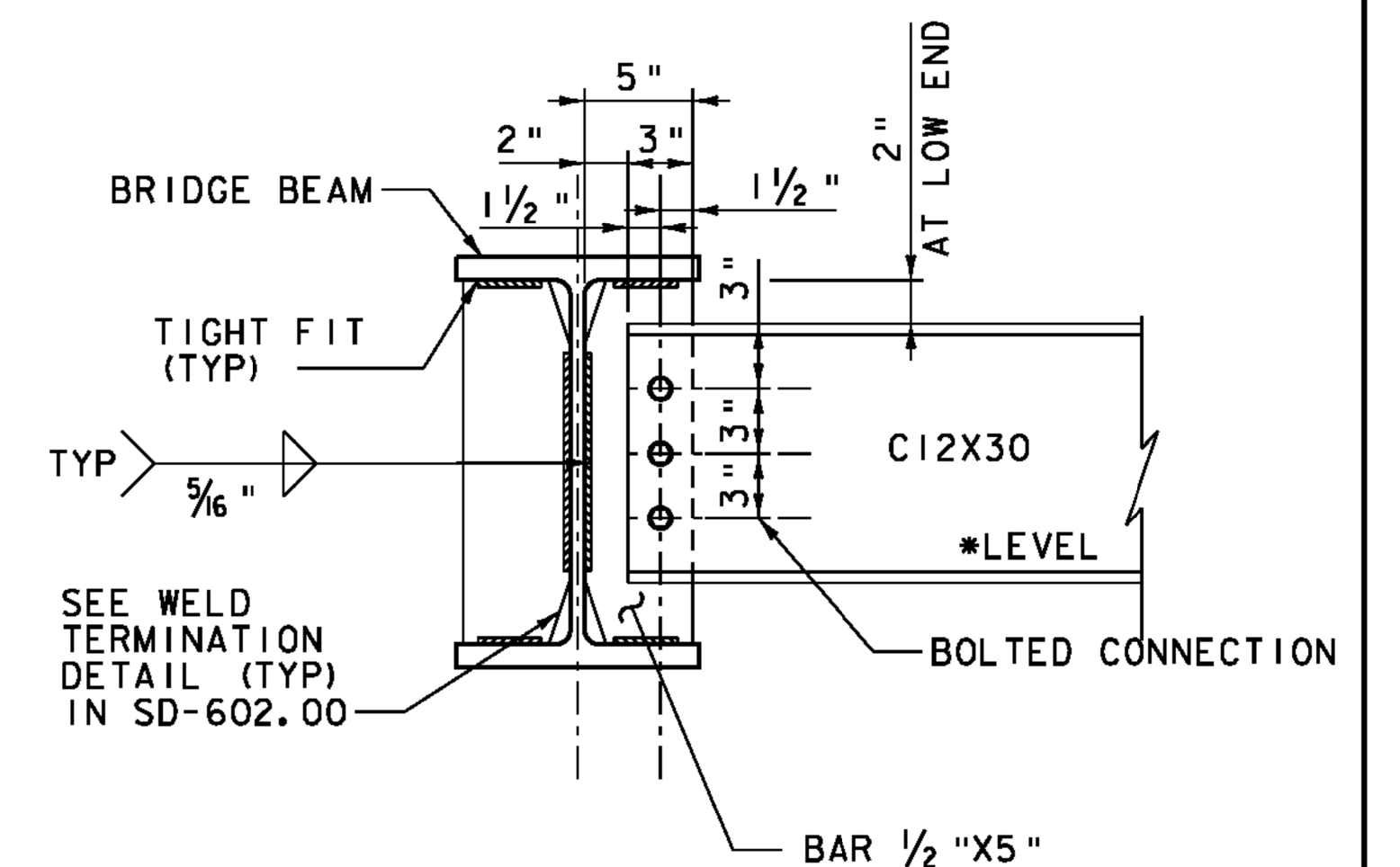
GIRDER ELEVATION

NOT TO SCALE



POST DETAIL

SCALE 1/2" = 1'-0"



INTERMEDIATE DIAPHRAGMS FOR BRIDGE BEAM

SCALE 1/2" = 1'-0"

NOTE:

- NF = NEAR FACE
- FF = FAR FACE
- EF = EACH FACE
- ▲ = CUT TO FIT IN FIELD
- 3" CLEAR, UNLESS OTHERWISE SPECIFIED ON THE PLANS.
- 2'-2" BAR LAP UNLESS OTHERWISE SPECIFIED ON THE PLANS.
- * TO BE STAGGERED WITH ADJACENT BEAM
- ** CVN DENOTES THAT CHARPY V-NOTCH TEST IS REQUIRED

NOTE:

1. MINIMUM LONGITUDINAL LAP SPLICE IS 1'-9".
2. TRANSVERSE REINFORCING ORIENTED WITH CENTERLINE OF BEARING. STAGGER BARS BETWEEN ADJACENT PBU'S.
3. THE COST OF SHEAR CONNECTORS WILL BE CONSIDERED INCIDENTAL TO ITEM 900.640 "SPECIAL PROVISION (PREFABRICATED BRIDGE UNIT SUPERSTRUCTURE) (FPQ)".



PROJECT NAME: WESTON
PROJECT NUMBER: BF 013-2(13)

FILE NAME: z13b076sup2.dgn
PROJECT LEADER: S.E. BURBANK
DESIGNED BY: J.D. KEENER
PBU DETAILS

PLOT DATE: 10/2/2015
DRAWN BY: K.G. BARRY
CHECKED BY: M.J. MOZIER
SHEET 42 OF 68