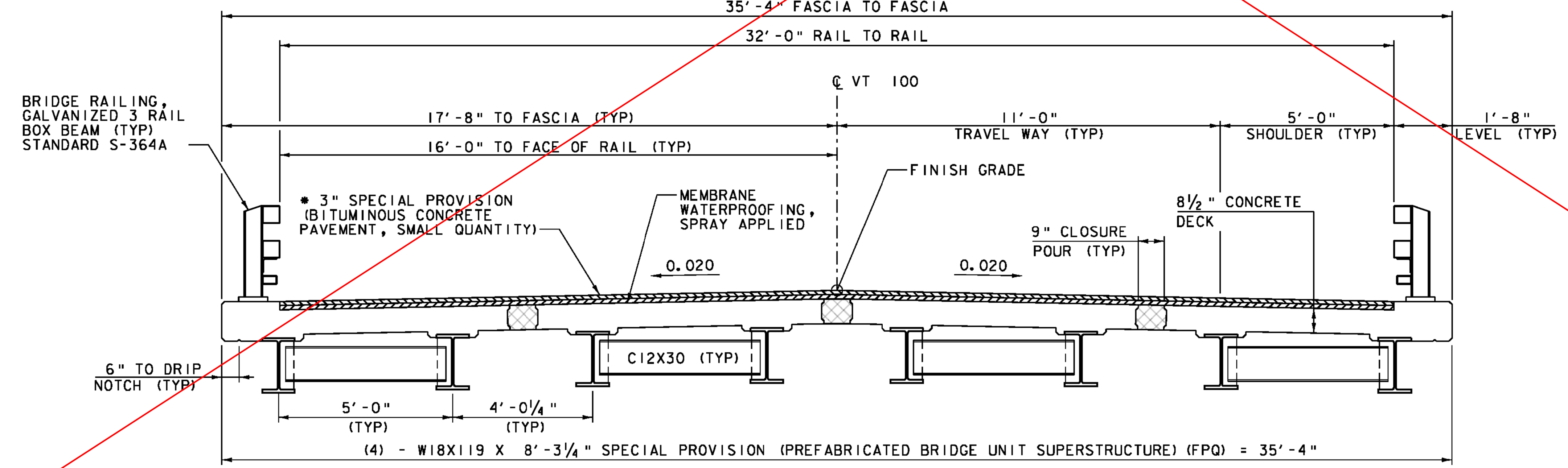
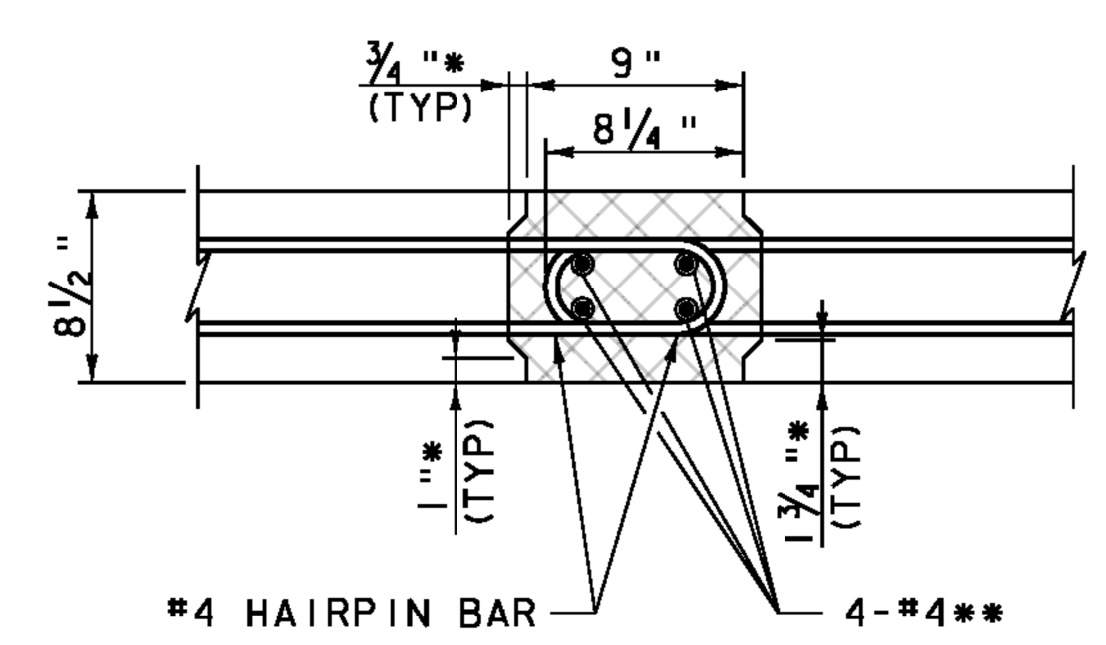
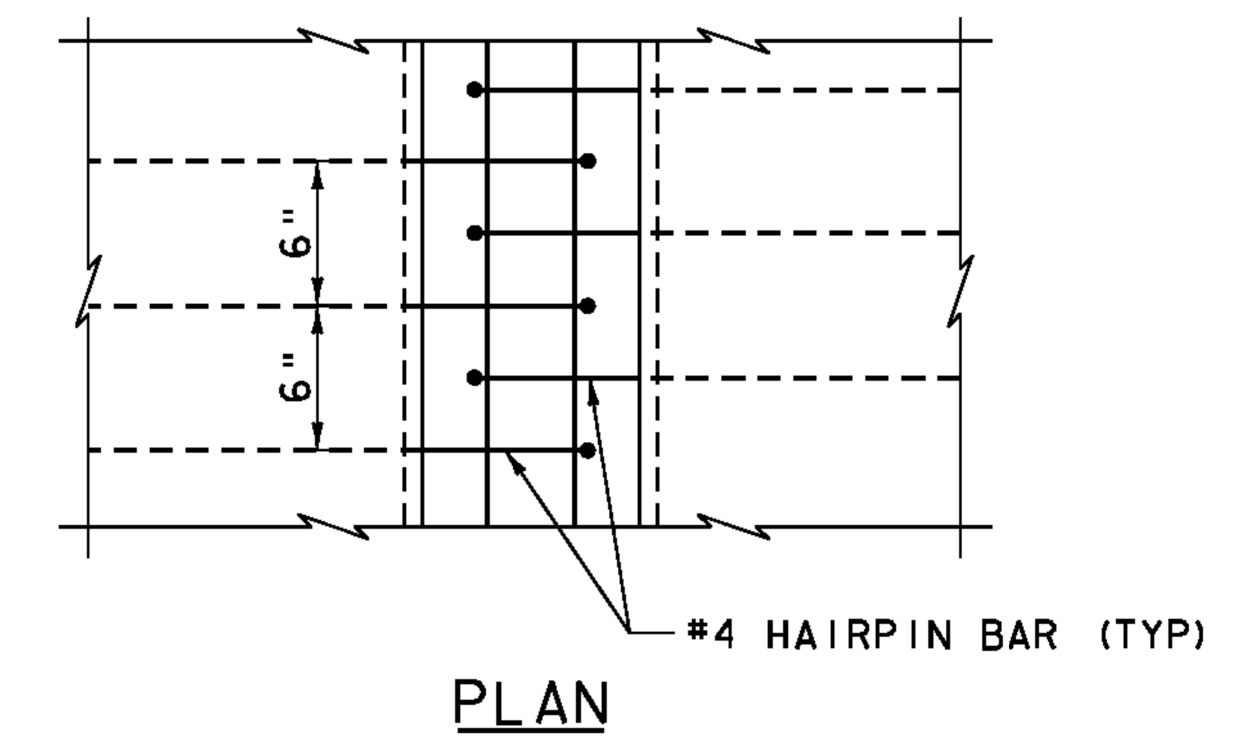
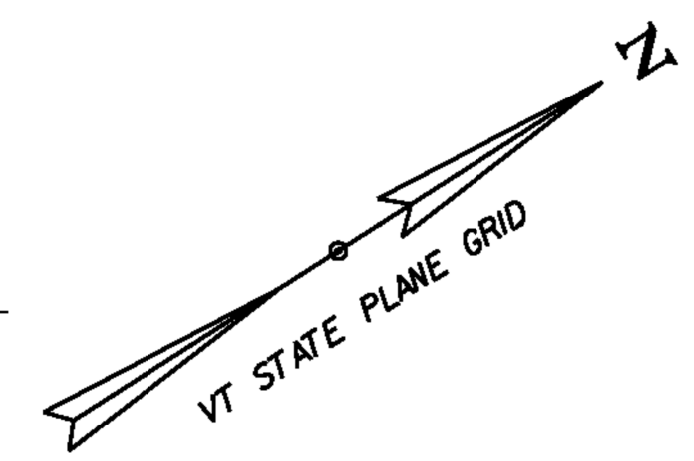


**BRIDGE PLAN**  
SCALE 1/4" = 1'-0"



**TYPICAL BRIDGE SECTION PBU ALTERNATE**  
SCALE 1/2" = 1'-0"



**SECTION**  
**FLANGE CONNECTION DETAILS**  
NOT TO SCALE

- ☒ = SPECIAL PROVISION (HIGH PERFORMANCE CONCRETE, RAPID SET) (FPQ)
- \* DIMENSIONS ARE TO KEY IN JOINT
- \*\* FOUR #4 BARS SHALL BE PLACED AS SHOWN ALONG ENTIRE LENGTH OF JOINT. PAYMENT SHALL BE INCIDENTAL TO "SPECIAL PROVISION (PREFABRICATED BRIDGE UNIT SUPERSTRUCTURE) (FPQ)".

PROJECT NAME:	WESTON	PLOT DATE:	10/2/2015
PROJECT NUMBER:	BF 013-2(13)	DRAWN BY:	K.G. BARRY
FILE NAME:	z13b076sup2.dgn	DESIGNED BY:	J.D. KEENER
PROJECT LEADER:	S.E. BURBANK	CHECKED BY:	M.J. MOZIER
PBU FRAMING PLAN			SHEET 41 OF 68

