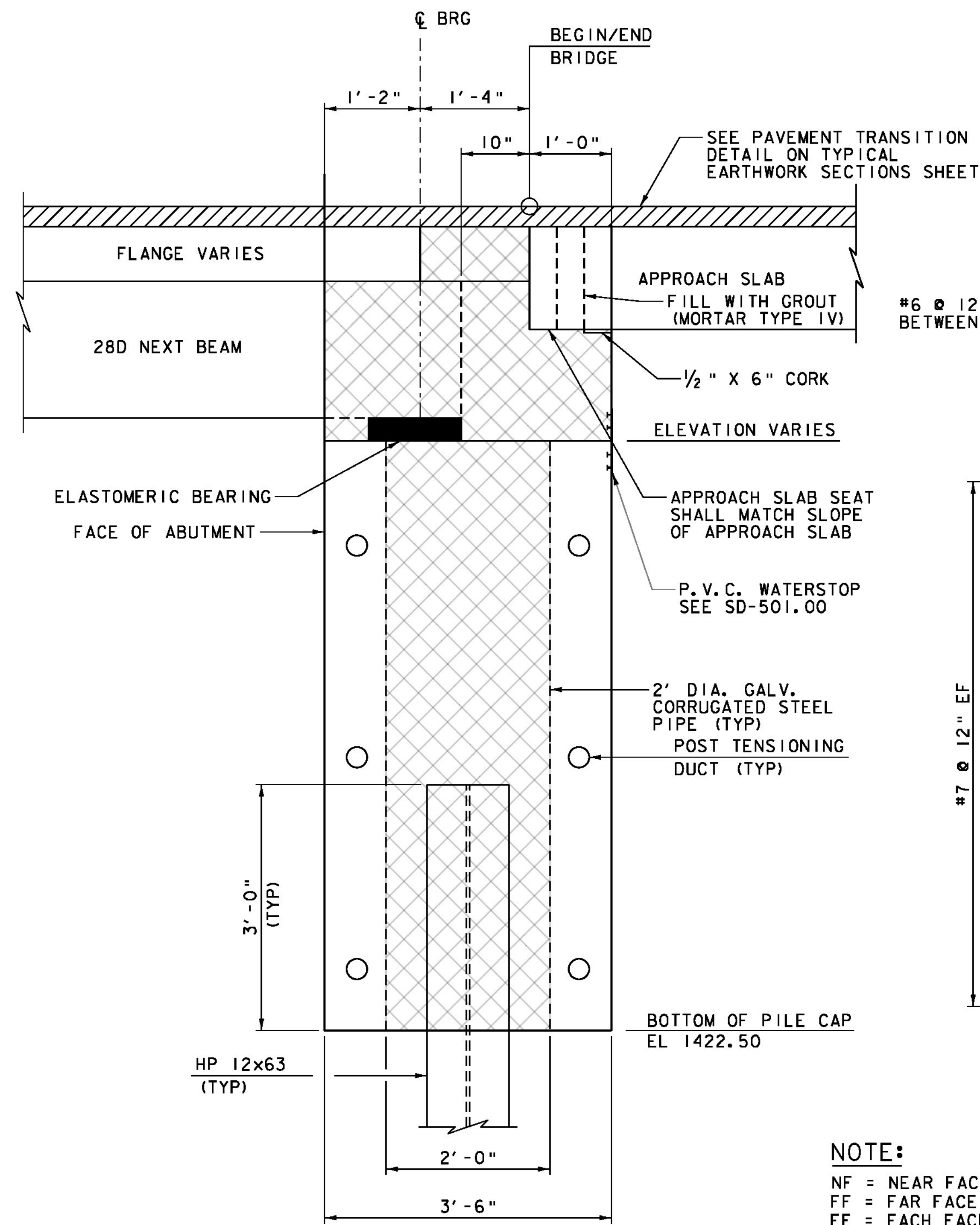


NOTES:

1. ABUTMENTS SHALL BE PRECAST CONCRETE ACCORDING TO THE APPROPRIATE PRECAST ITEM.
2. SEE PROJECT NOTES FOR ADDITIONAL FABRICATION, CONSTRUCTION, AND SEQUENCE NOTES.
3. ELEVATIONS SHOWN ARE FOR ABUTMENT NO 1 AND ABUTMENT NO 2.

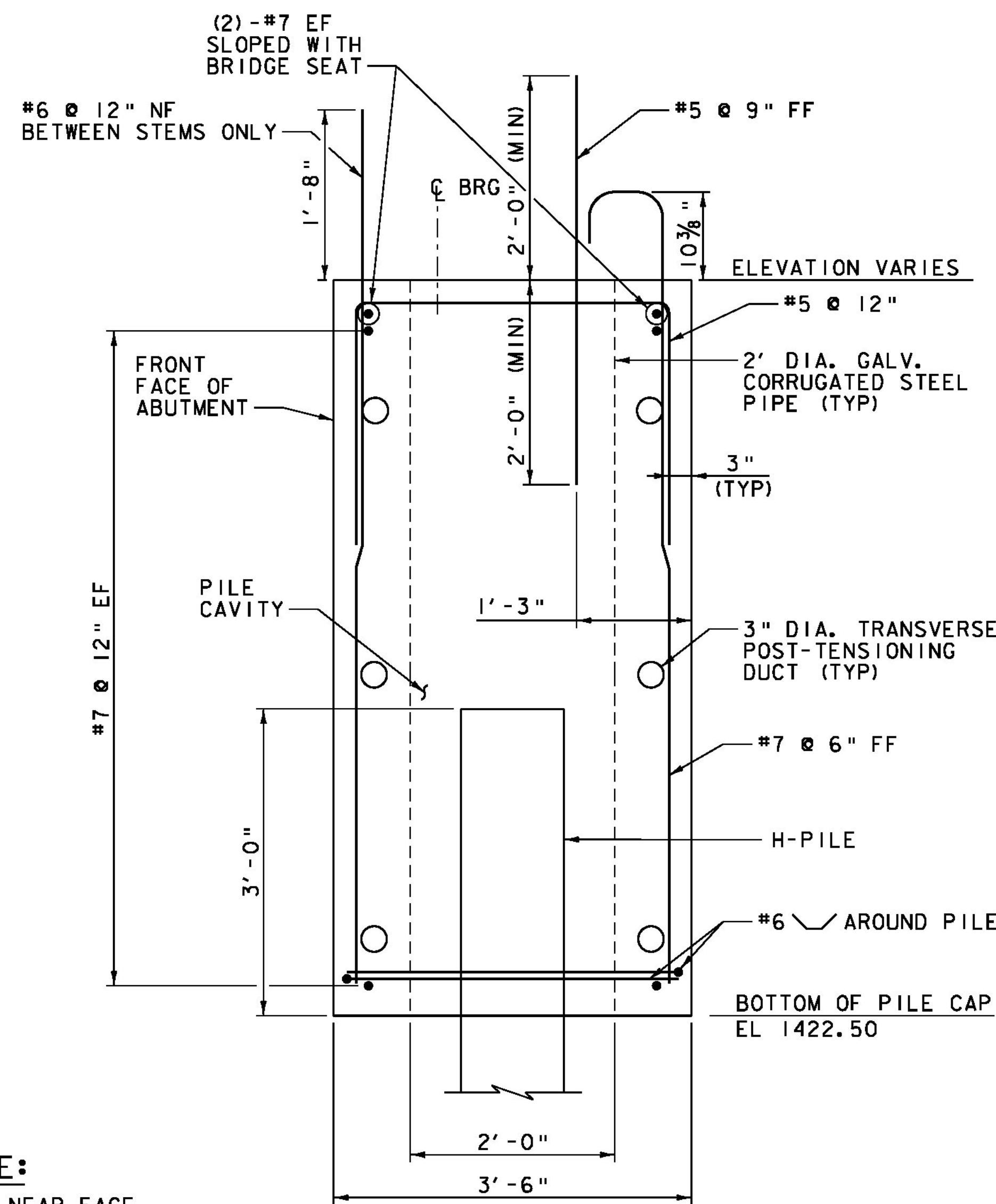
 LIMITS OF SPECIAL PROVISION (HIGH PERFORMANCE CONCRETE, RAPID SET) (FPQ) CLOSURE POUR



BRIDGE END DETAIL

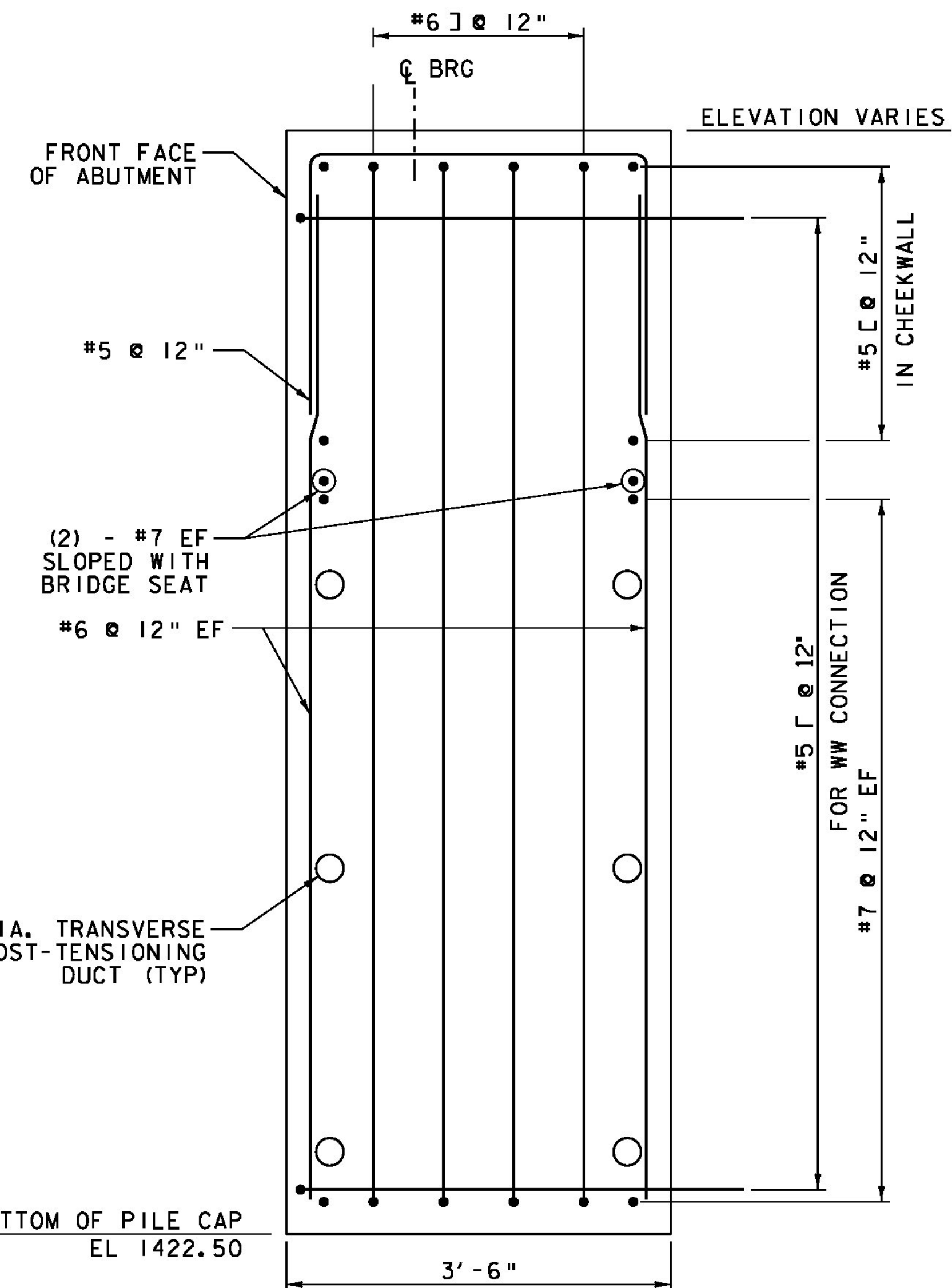
(ABUT NO 1 SHOWN, ABUT NO 2 SIMILAR, OPPOSITE HAND)
(DIMENSIONS ARE NORMAL TO ϕ BRG)

SCALE 1" = 1'-0"



SECTION A-A

SCALE 1" = 1'-0"



SECTION B-B

SCALE 1" = 1'-0"

NOTE:

- NF = NEAR FACE
- FF = FAR FACE
- EF = EACH FACE
- ▲ = CUT TO FIT IN FIELD
- 3" CLEAR, UNLESS OTHERWISE SPECIFIED ON THE PLANS.
- 2'-2" BAR LAP UNLESS OTHERWISE SPECIFIED ON THE PLANS.

PROJECT NAME: WESTON
PROJECT NUMBER: BF 013-2(13)

FILE NAME: z13b076subl.dgn
PROJECT LEADER: S.E. BURBANK
DESIGNED BY: J.J. WESTCOTT
NEXT BEAM ABUTMENT SECTIONS

PLOT DATE: 10/2/2015
DRAWN BY: J.J. WESTCOTT
CHECKED BY: L.S. CHERVINCKY
SHEET 38 OF 68

