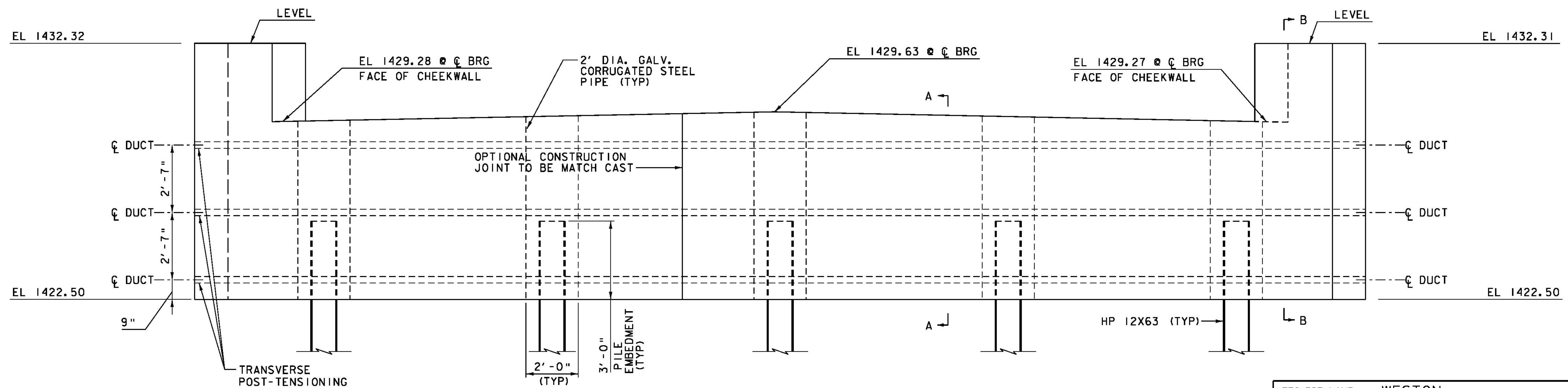


- NOTES:**
1. TRANSVERSE POST-TENSIONING AND ASSOCIATED ITEMS ONLY REQUIRED IF PILE CAP IS CONSTRUCTED OF MORE THAN ONE UNIT.
 2. THE BRIDGE SEAT SHALL HAVE A ROUGHENED FINISH. AREAS UNDER BEARING PADS SHALL BE TROWELED SMOOTH TO THE PROPOSED SLOPE.

ABUTMENT NO. 1 PLAN
SCALE 1/2" = 1'-0"



ABUTMENT NO. 1 ELEVATION
SCALE 1/2" = 1'-0"

SEE NEXT BEAM ABUTMENT SECTIONS SHEET FOR SECTIONS A-A AND B-B.

PROJECT NAME: WESTON	PLOT DATE: 10/2/2015
PROJECT NUMBER: BF 013-2(13)	DRAWN BY: J.J. WESTCOTT
FILE NAME: z13b076subl.dgn	CHECKED BY: L.S. CHERVINCKY
PROJECT LEADER: S.E. BURBANK	SHEET 36 OF 68
DESIGNED BY: J.J. WESTCOTT	
NEXT BEAM ABUT NO 1 PLAN & ELEVATION	

