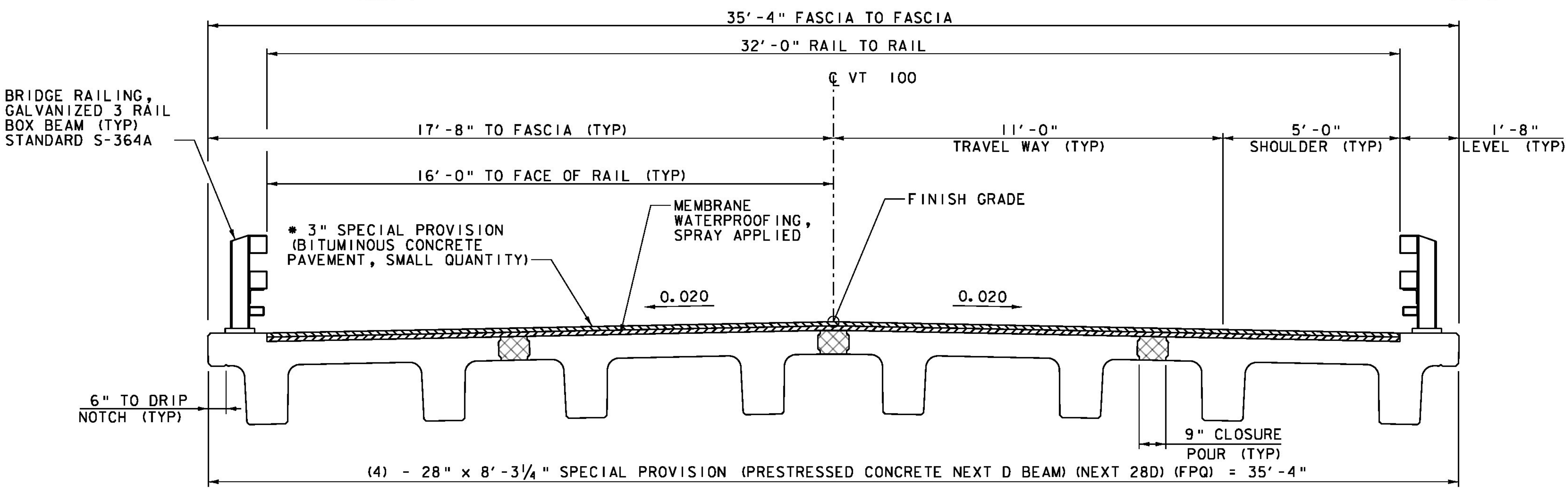
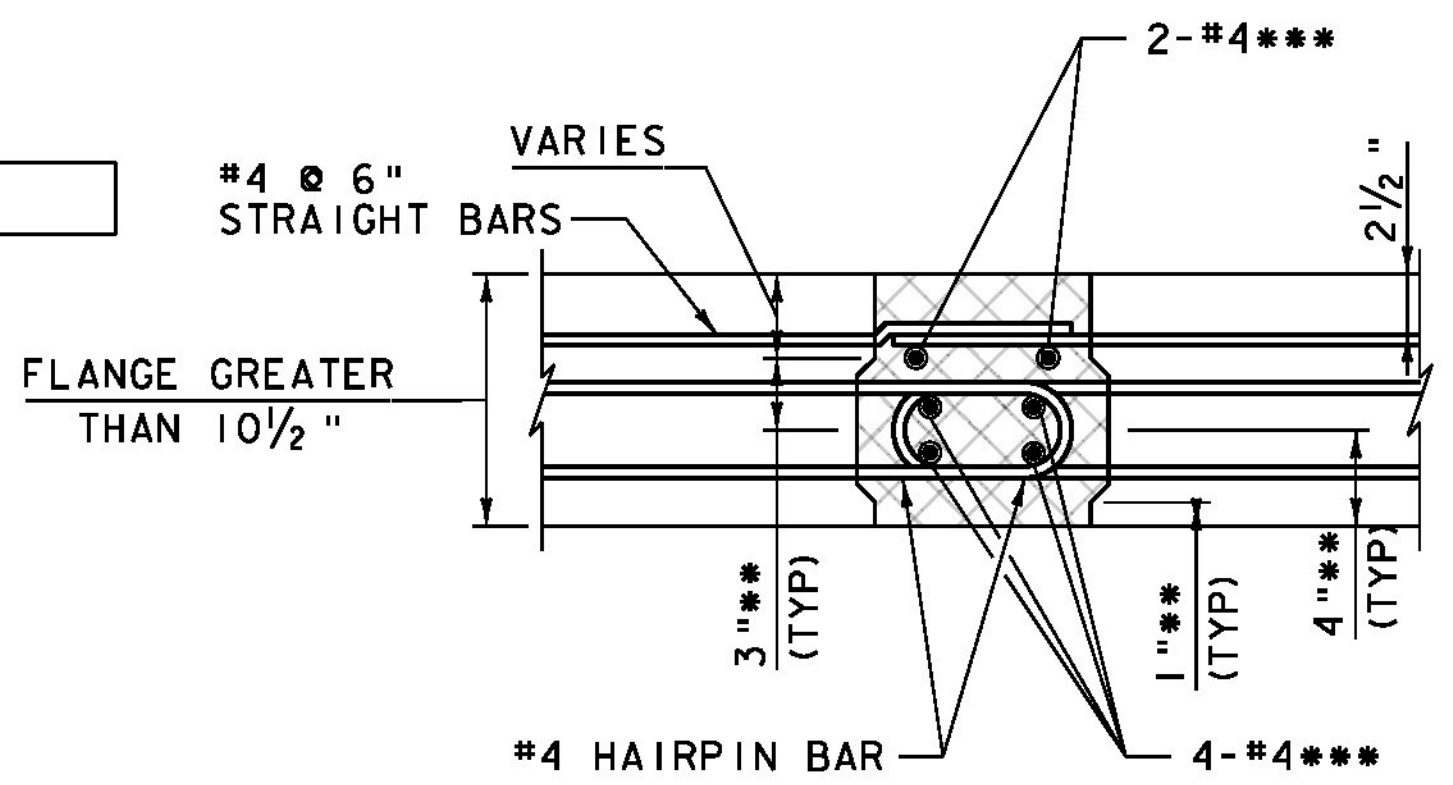
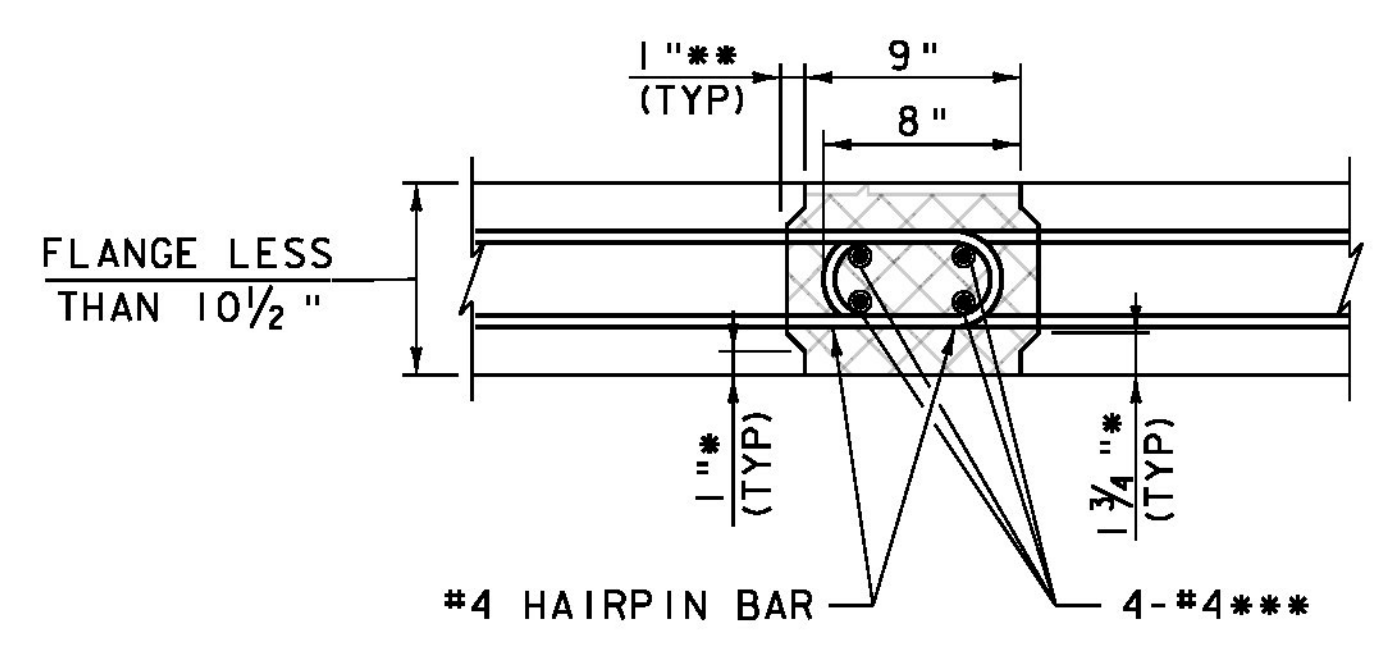
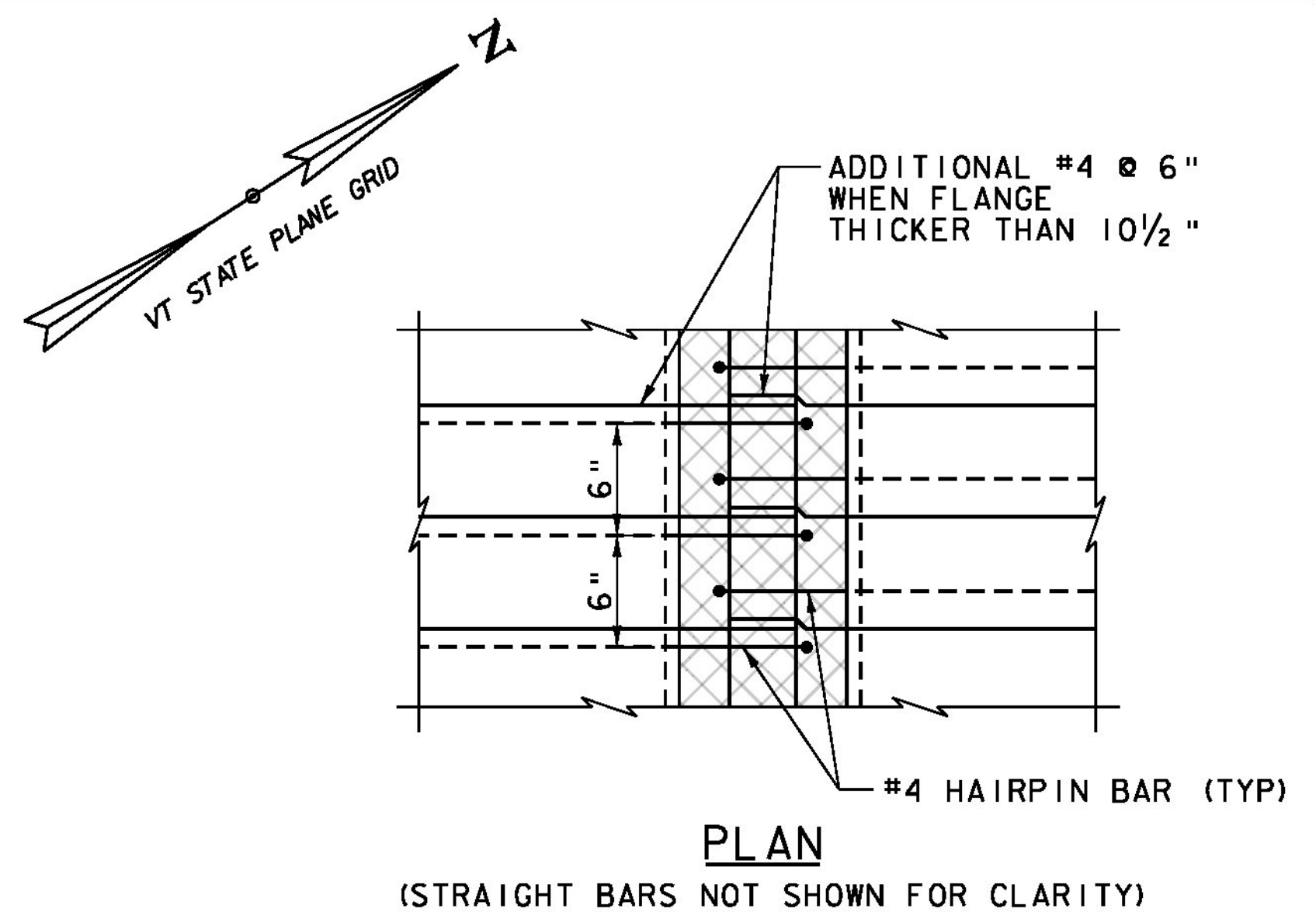


BRIDGE PLAN
SCALE 1/4" = 1'-0"



TYPICAL BRIDGE SECTION NEXT BEAM ALTERNATE
SCALE 1/2" = 1'-0"



SECTION
FLANGE CONNECTION DETAILS
SCALE 1/2" = 1'-0"

⊗ = SPECIAL PROVISION (HIGH PERFORMANCE CONCRETE, RAPID SET) (FPQ)
 ** DIMENSIONS ARE TO KEY IN JOINT
 *** #4 BARS SHALL BE PLACED AS SHOWN ALONG ENTIRE LENGTH OF JOINT. PAYMENT SHALL BE INCIDENTAL TO "SPECIAL PROVISION (PRESTRESSED CONCRETE NEXT D BEAM) (NEXT 28D) (FPQ)".

PROJECT NAME: WESTON	PLOT DATE: 10/2/2015
PROJECT NUMBER: BF 013-2(13)	DRAWN BY: K.C. BARRY
FILE NAME: z13b076supl.dgn	CHECKED BY: L.S. CHERVINCKY
PROJECT LEADER: S.E. BURBANK	SHEET 33 OF 68
DESIGNED BY: J.J. WESTCOTT	
NEXT BEAM FRAMING PLAN	

