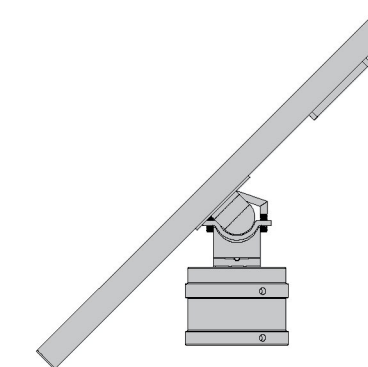
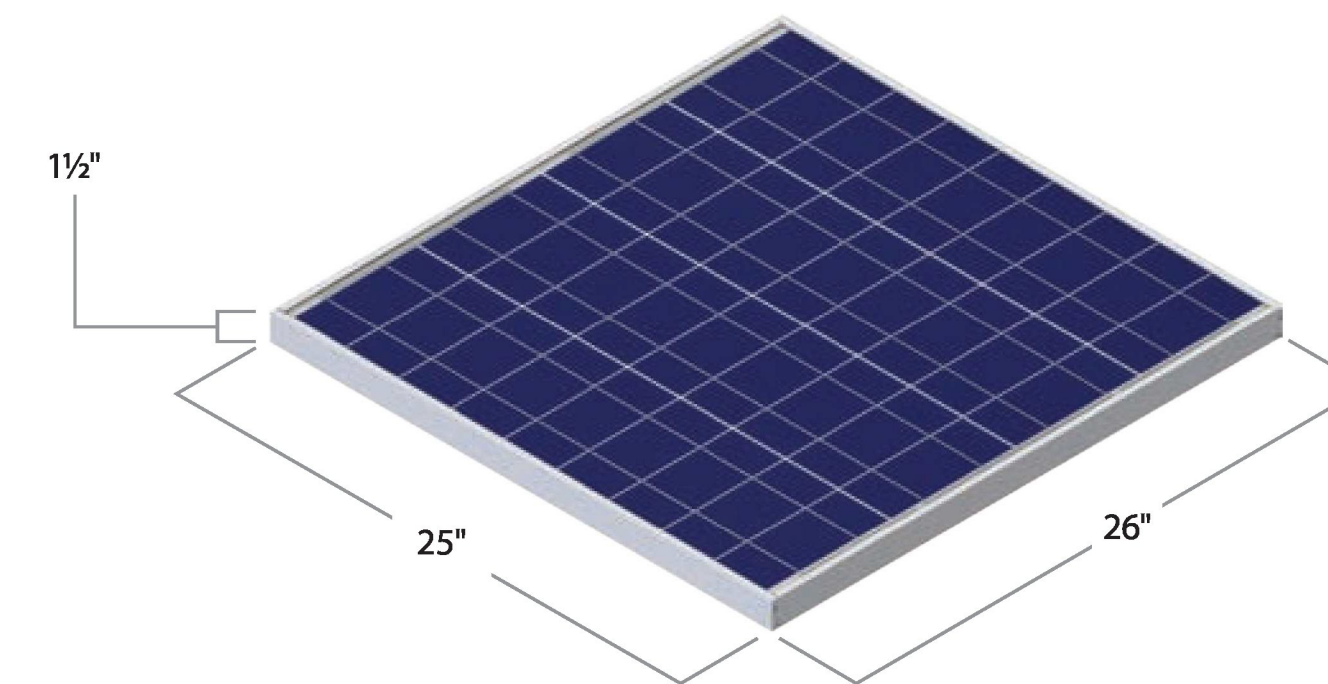
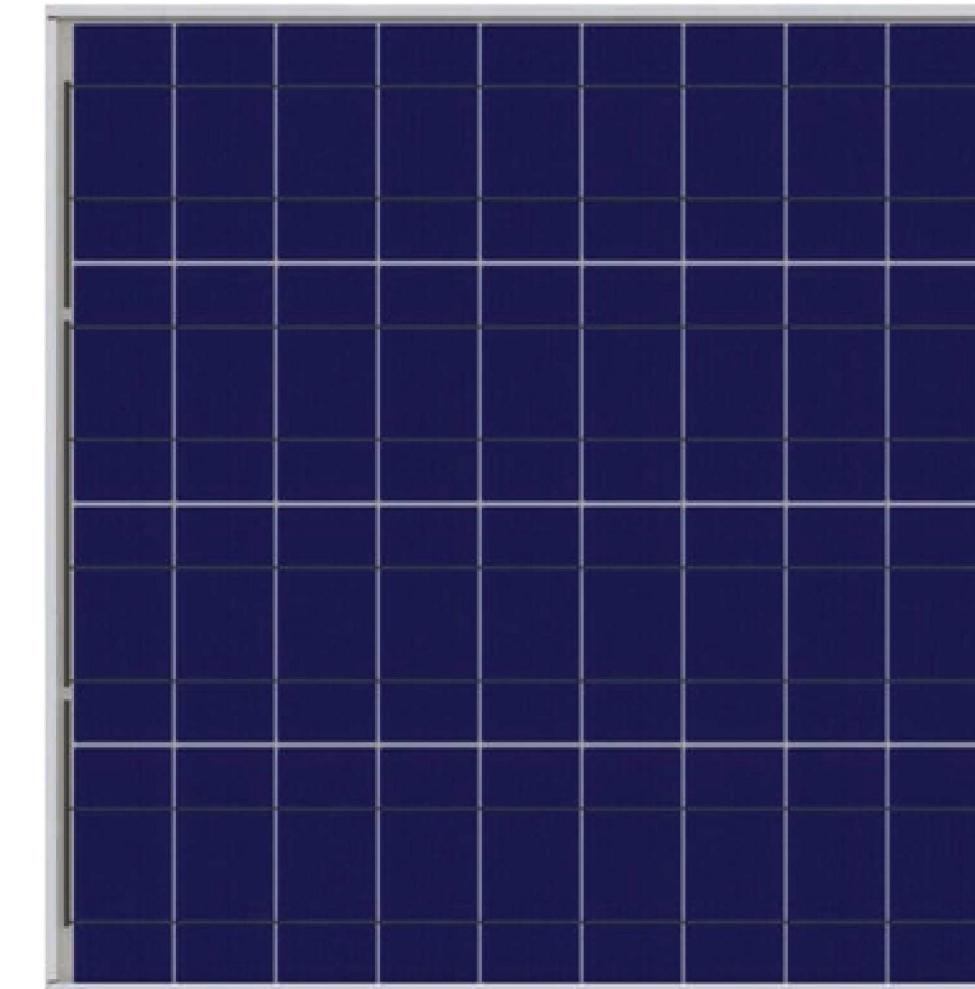


55 Watt Solar Panel

Electrical Specifications	
Max Power	55W
Nominal Voltage	12V
Open Circuit Voltage (Voc)	22.1V
Short Circuit Current (Isc)	3.31A
Maximum Power Voltage (Vpm)	18.18V
Maximum Power Current (Ipm)	3.1A
Physical Dimensions (without brackets)	
Length	26"
Width	25"
Depth (thickness)	1½"
Weight	14 lbs.
Glass	Tempered



55W Solar Panel with aluminum
4.5" OD pole mount 107525

1-800-236-0112 www.tapconet.com



Distributed by Traffic & Parking Control Co, Inc. 5100 West Brown Deer Road, Brown Deer WI 53223 U.S.A.
Phone 800-236-0112 FAX 800-444-0331 www.tapconet.com

1005-XXXXXX (08/01/14)