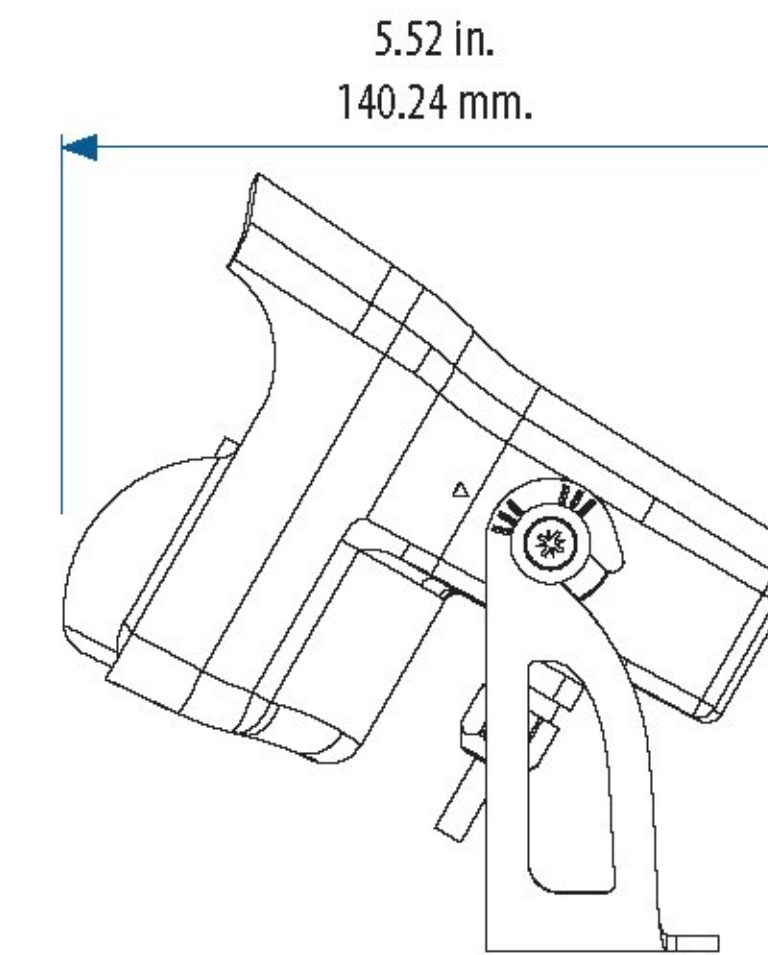
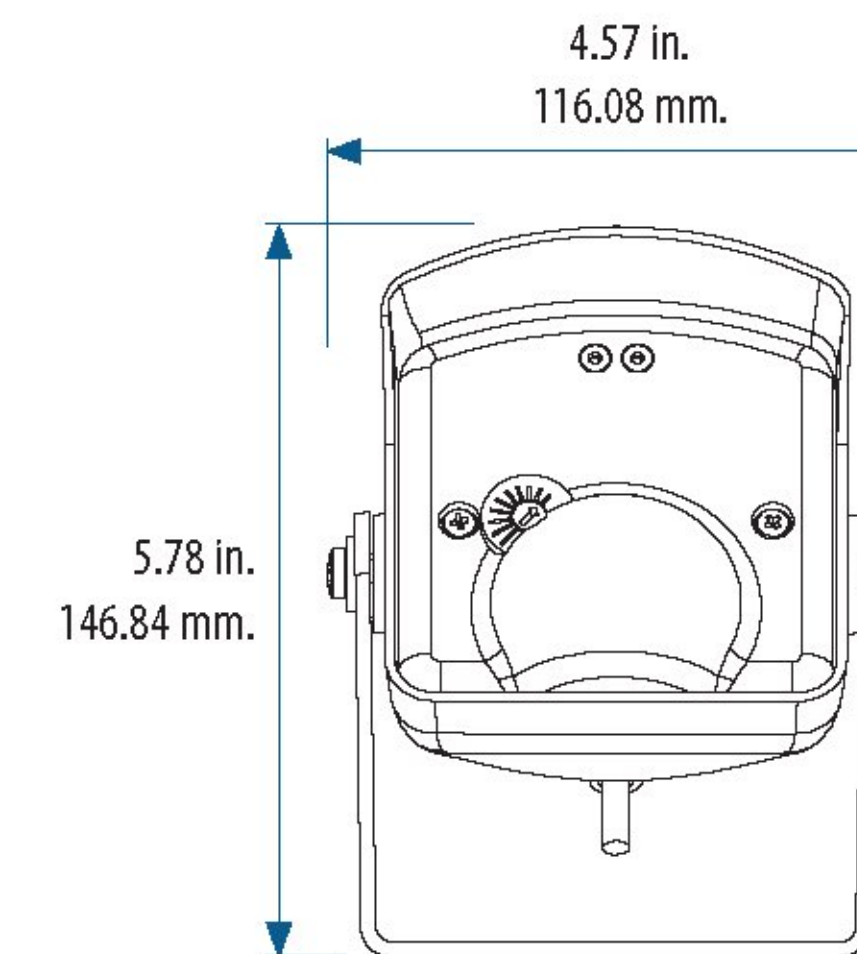


ACCEPTED

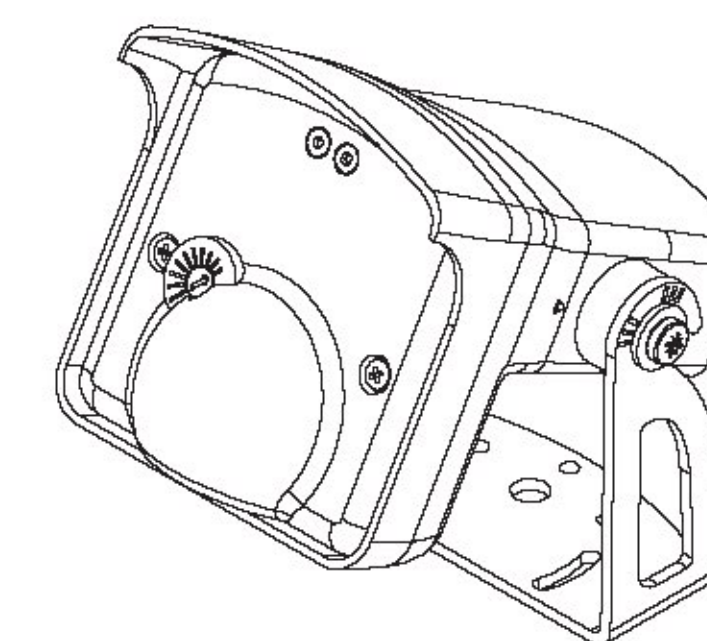
SPECIFICATION	MICROWAVE	INFRARED
Radiated frequency	24.175 GHz	875Nm
Radiated power density	< 5 mW/cm <sup>2</sup>	< 250 mW/m <sup>2</sup>
Detection mode	Motion	Presence
Detection field	13' x 16' (4m x 5m)	10' x 10' (3m x 3m)
Output hold time	0.5 sec. to 9 sec.	0.5 sec.
Reaction time	100ms	250ms
Minimum target speed	5cm/s (in sensor axis)	0cm/s
Tilt angle	-8° to 22° (relative to sensor front face)	15° to 45°
LED indication signal notification	Green	Red
Supply voltage	12 to 24VAC ± 10%	12 to 24VDC +30% / -5%
Main frequency	50 to 60Hz	
Power consumption	< 2W	
Relay output	2 Relays with switch-over contact (voltage free)	
Max. voltage	60 VDC / 125 VAC	
Max. current	1A (resistive)	
Max switching power	30W (DC) / 60VA (AC)	
Installation height	8' to 16' (2.5m to 5m)	
Temperature range	-22°F (-30°C) to + 140°F (60°C)	
Protection degree	NEMA-4	
Norm conformity	Electromagnetic compatibility (EMC) according to 2004/108/EEC, R&TTE: 1999/5/EC	
Dimensions	(D x W x H) 5" x 4" x 3.75" (127mm x 102mm x 96mm)	
Material housing	ABS	
Face	Polycarbonate	
Housing color	Black	
Face	Transparent purple	
Cable length	32' (10m)	



Side view



Front view



3D perspective



5100 West Brown Deer  
 Brown Deer, WI 53223  
 Ph: 262.814.7000 • 800.236.0112  
 Fax: 414.354.5480 • 800.444.0331  
 www.tapconet.com