



Motion and presence detector

Proven technologies

Active infrared and microwave technologies work together to provide precise presence and accurate motion detection in front of the door.

Superior coverage

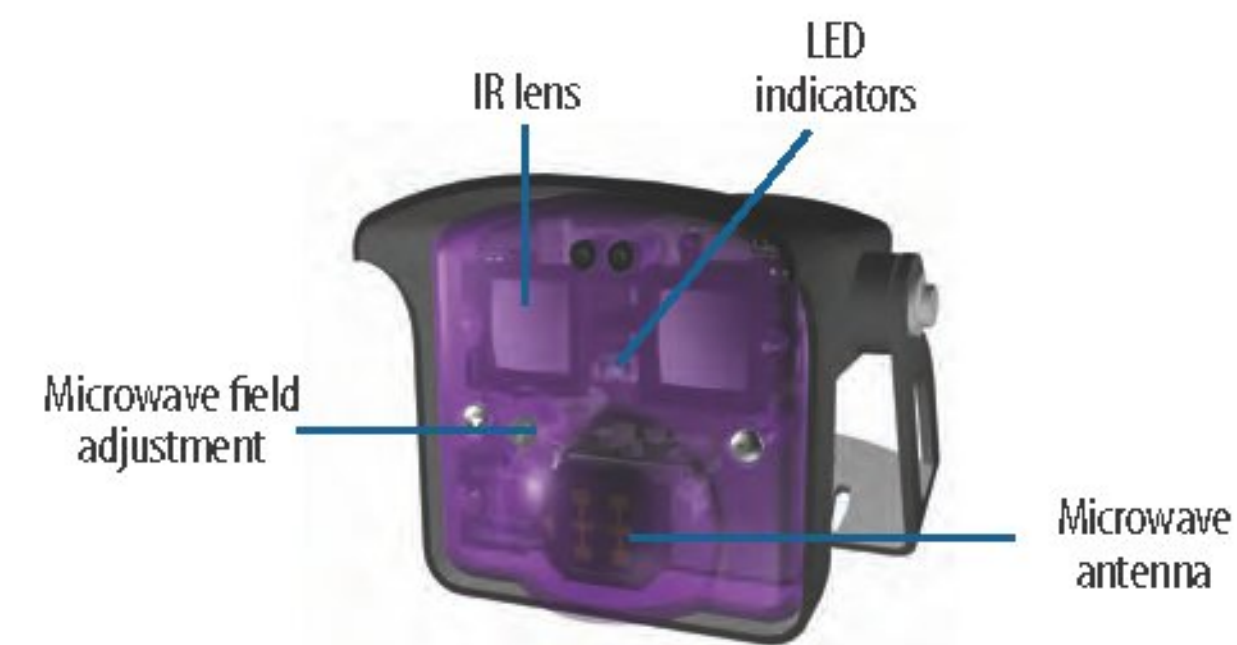
Maximum mounting height at 16 ft. Detection pattern up to 40 spots, equating to 10' x 10' coverage. The proven technology of the Falcon plus active infrared presence detection.

Durability for tough environments

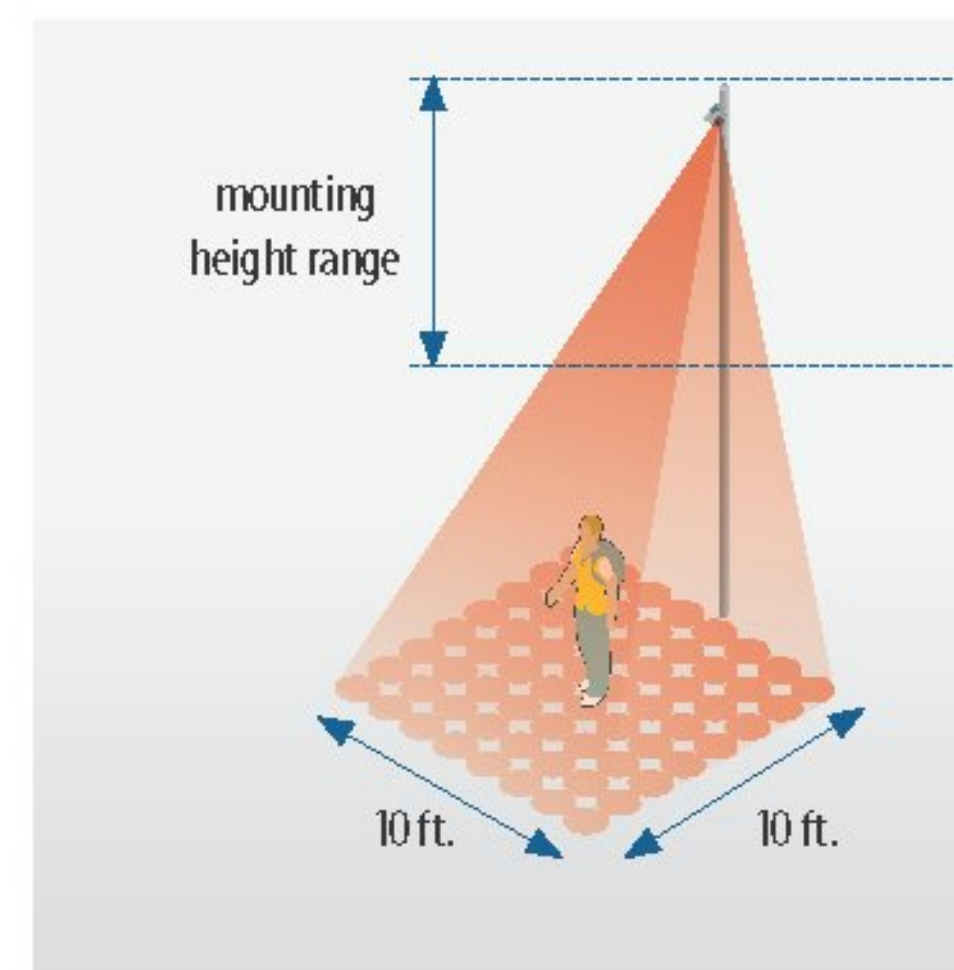
Impervious to door vibrations, light, sun and the environment; including rain and snow. The IS40 housing is rated NEMA-4.

Minimal installation and maintenance

Replaces the labor-intensive inductive loops with an easy-to-mount overhead installation. All adjustments are executed using the BEA remote control.

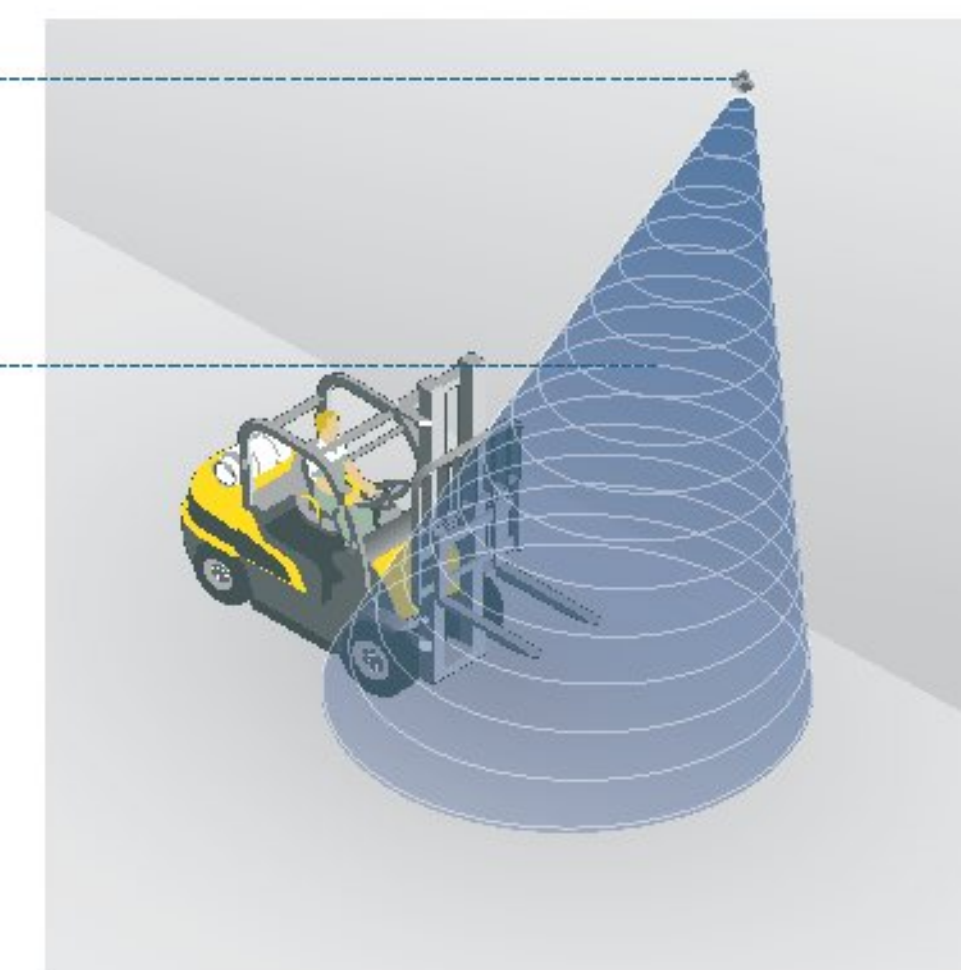


Dual sensors



INFRARED PRESENCE DETECTION

Detects objects at rest



MICROWAVE ACTIVATION

Detects objects in motion