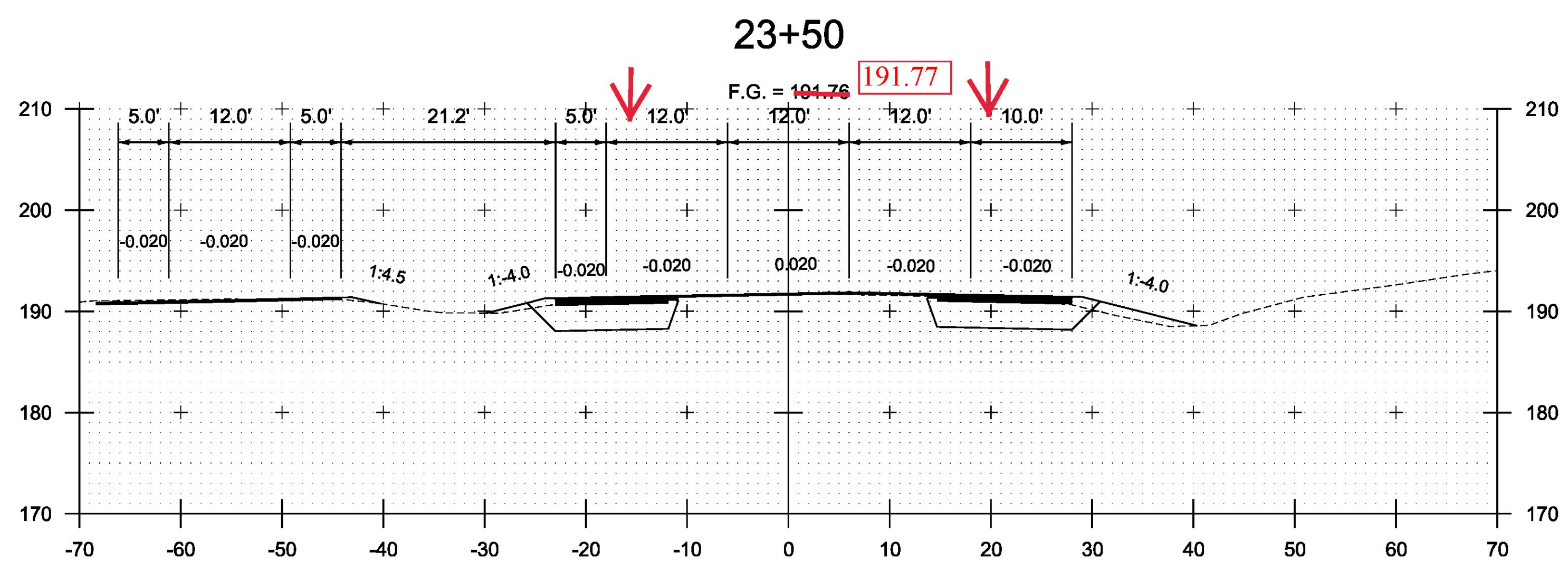
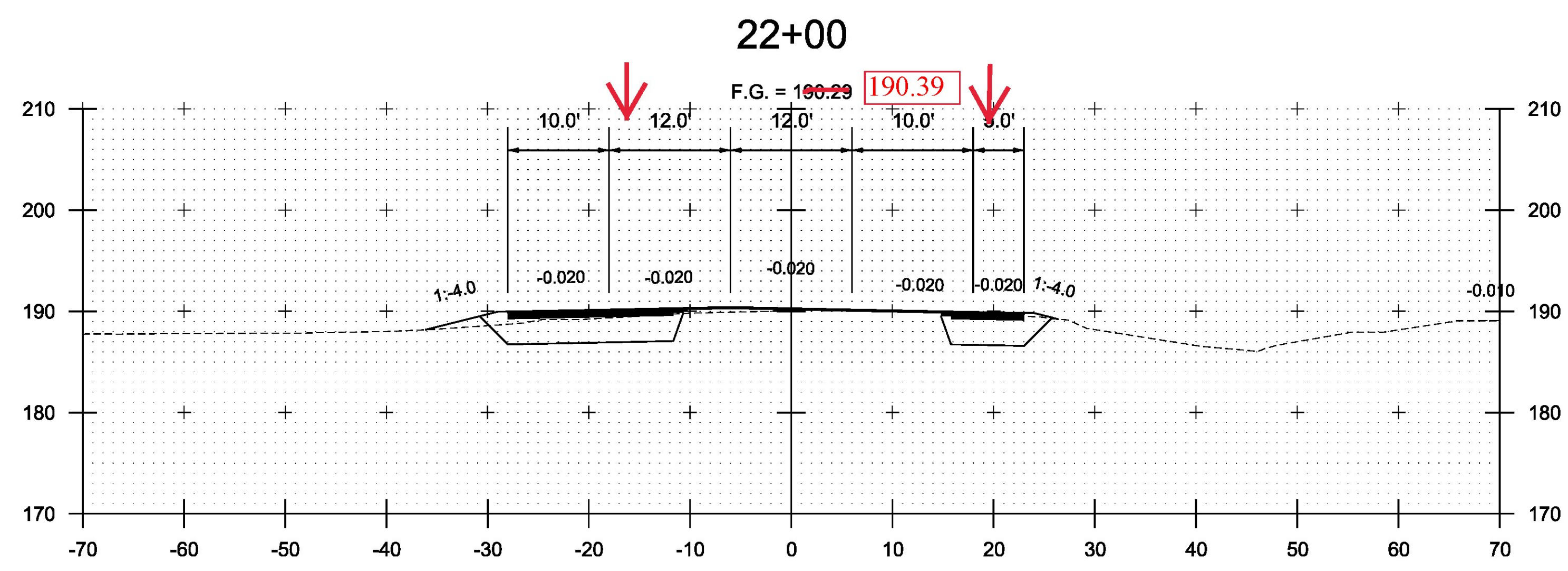
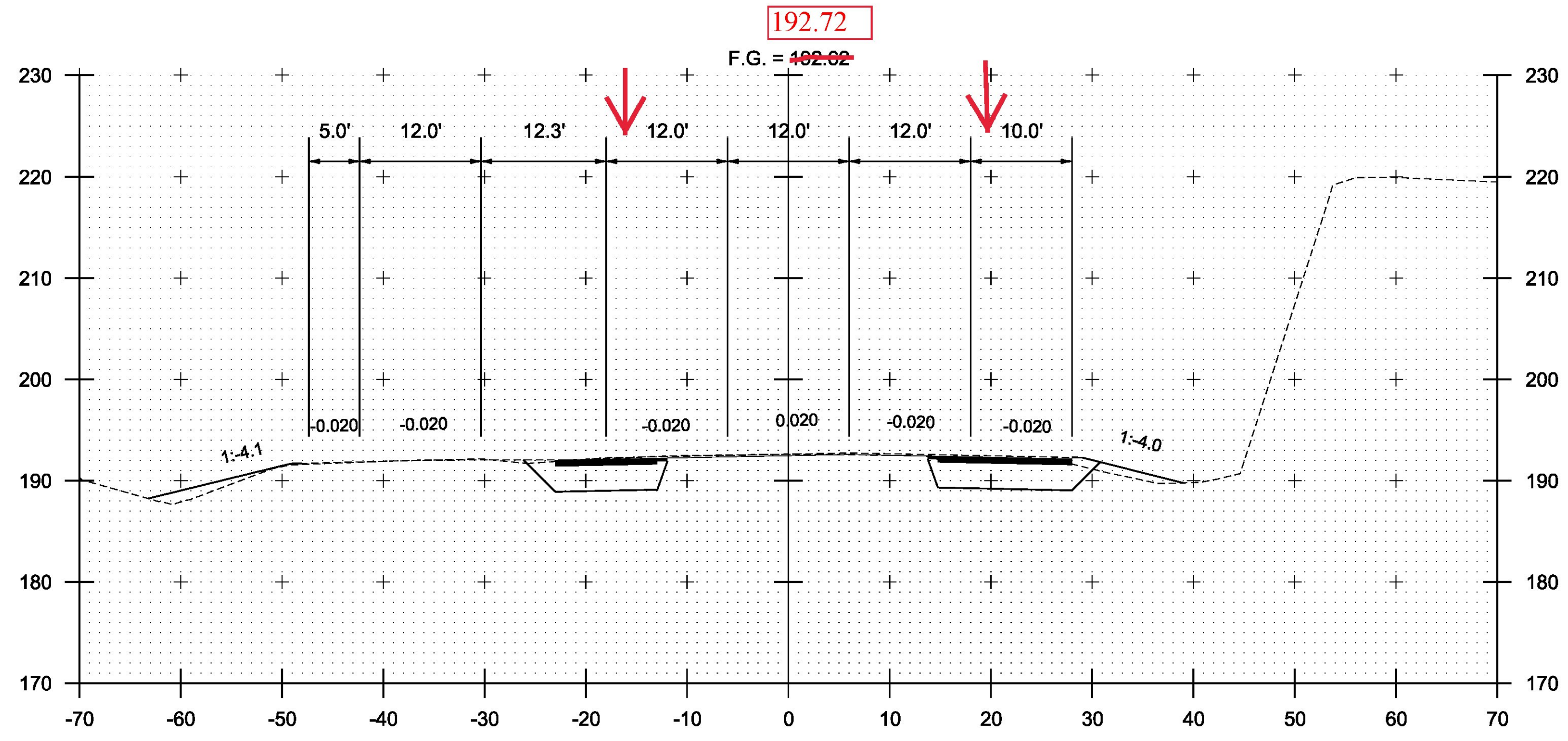
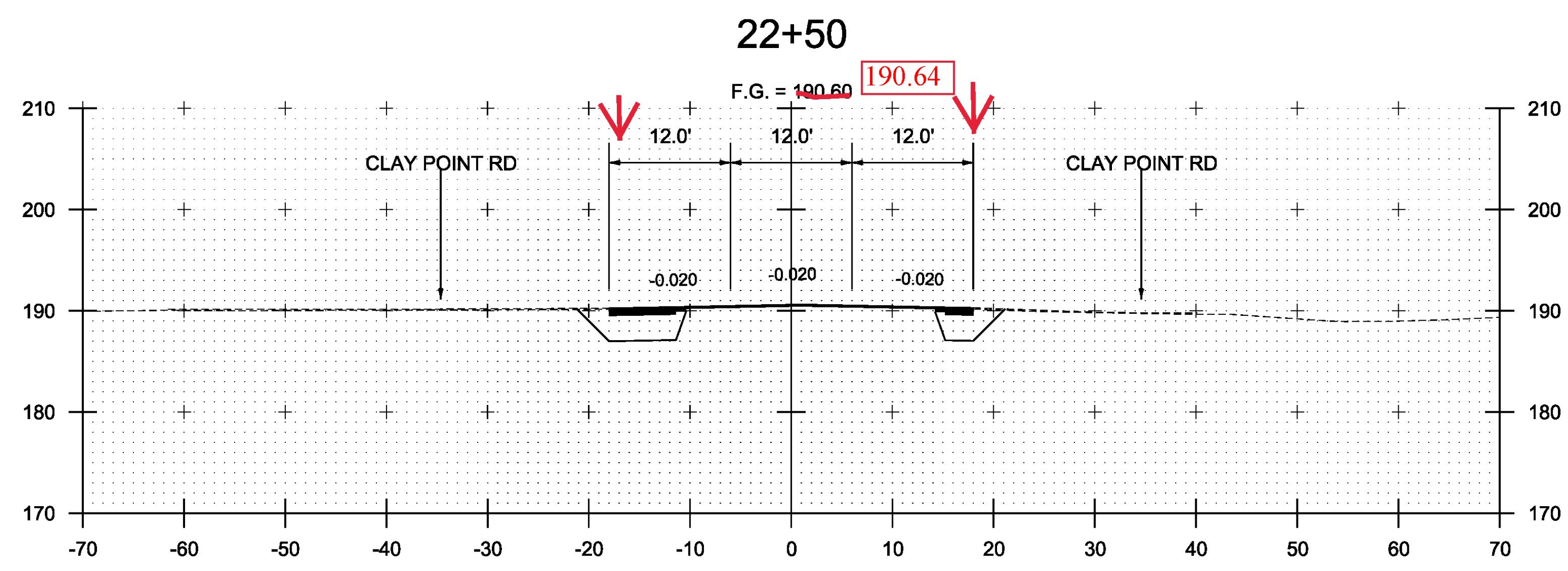


NOTE: APPROXIMATE LOCATION OF UNDERGROUND UTILITY. THE CONTRACTOR SHALL USE EXTREME CAUTION TO AVOID IMPACT TO UNDERGROUND UTILITY LINE DURING CONSTRUCTION. THE CONTRACTOR SHALL CONTACT THE UTILITY OWNER TO ESTABLISH THE EXACT LOCATION AND DEPTH. SEE UTILITY SPECIAL PROVISIONS FOR CONTACT INFORMATION.



21+50

23+00



STA. 21+50 TO STA. 23+50

PROJECT NAME: COLCHESTER	
PROJECT NUMBER: HES 028-1(28)	
FILE NAME: i3b028xsl.dgn	PLOT DATE: 12/7/2015
PROJECT LEADER: COBURN	DRAWN BY: M. BOGACZYK
DESIGNED BY: M. BOGACZYK	CHECKED BY: M. LACROIX
CROSS SECTION SHEET 5	SHEET 6 OF 9