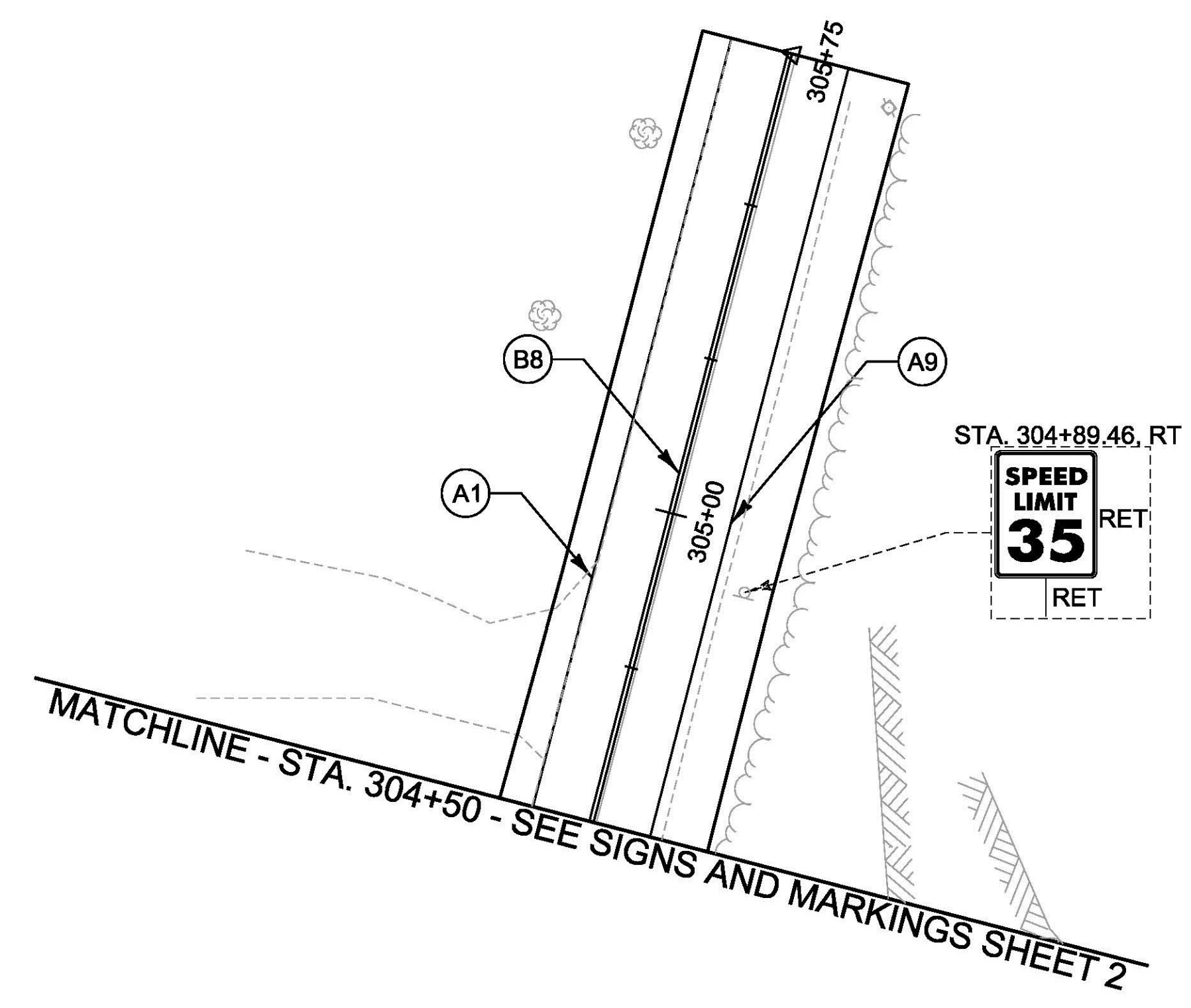
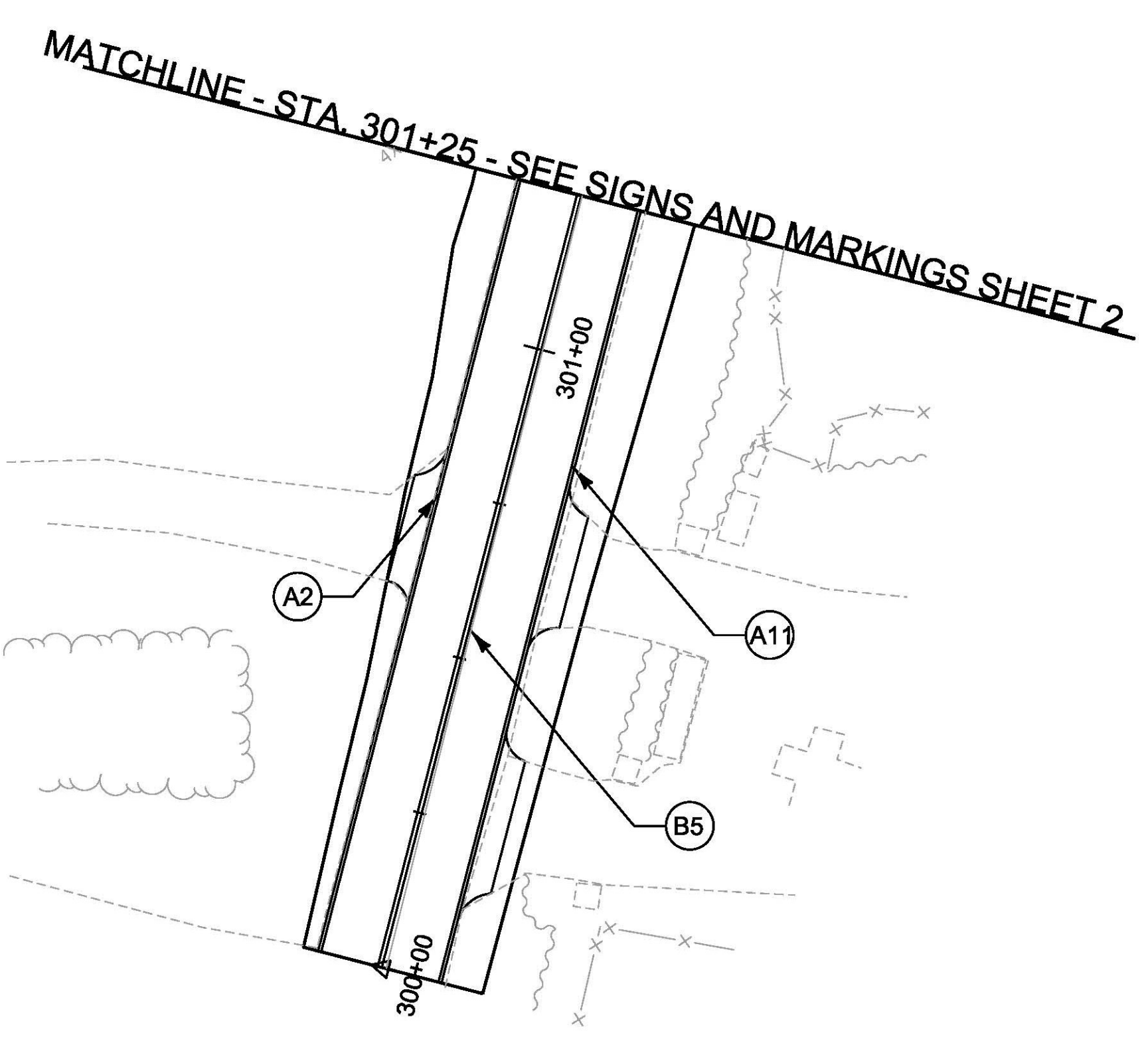
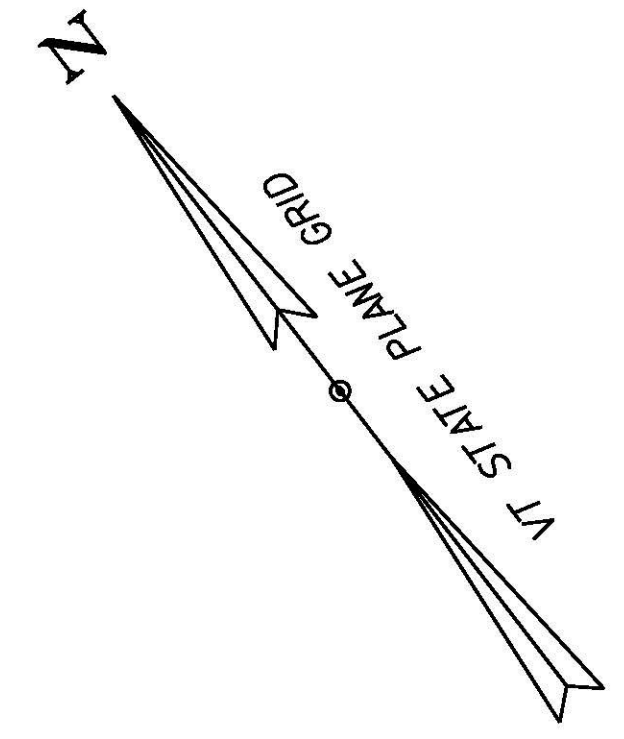


- DURABLE 4 INCH WHITE LINE, POLYUREA
- (A1) STA. 304+50.00, LT. - STA. 305+74.68, LT. (SOLID) (125')
 - (A2) STA. 300+00.00, LT. - STA. 301+25.00, LT. (SOLID) (125')
 - (A9) STA. 304+50.00, RT. - STA. 305+74.68, RT. (SOLID) (125')
 - (A11) STA. 300+00.00, RT. - STA. 301+25.00, RT. (SOLID) (125')

TRAFFIC SIGNS, TYPE A
SEE TRAFFIC SIGN SUMMARY SHEET

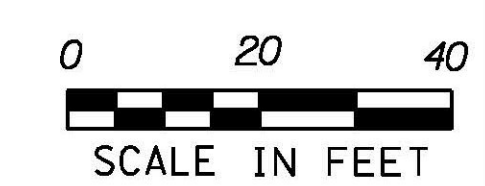
SQUARE TUBE SIGN POST AND ANCHOR
SEE TRAFFIC SIGN SUMMARY SHEET

- DURABLE 4 INCH YELLOW LINE, POLYUREA
- (B5) STA. 300+00.00, CL. - STA. 301+25.00, CL. (DOUBLE) (250')
 - (B8) STA. 304+50.00, CL. - STA. 305+74.68, CL. (DOUBLE) (250')



SIGN LEGEND

R	= Remove
S	= Salvage
N	= New
RET	= Retain
T&T	= Thinning & Trimming
B-B	= Back to Back
Existing	-----
NEW	_____



PROJECT NAME: COLCHESTER	
PROJECT NUMBER: HES 028-1(28)	
FILE NAME: t13b028+sl.dgn	PLOT DATE: 11/23/2015
PROJECT LEADER: P. COBURN	DRAWN BY: M. BOGACZYK
DESIGNED BY: M. BOGACZYK	CHECKED BY: M. LACROIX
TRAFFIC SIGN & PAVEMENT MARKING SHEET 5 SHEET	61 OF 91