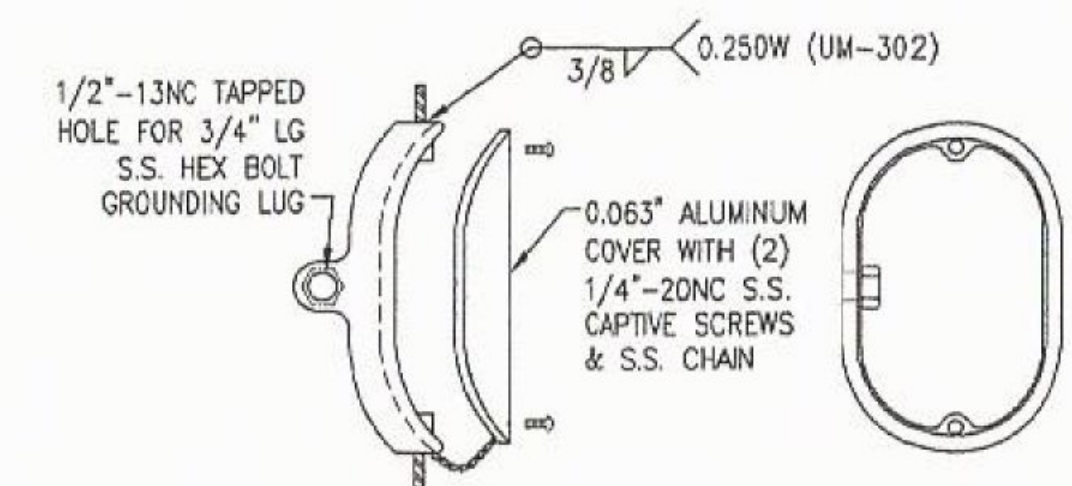


QTY	UMC DESIGN NUMBER	POLE TUBE SIZE	CLAMP-ON LUMINAIRE ARM DATA		BASE TYPE
			SPAN	UPPER ARM TUBE	
1	756-B147-Y1	0.250W-8.00x6.00x26'-0"	16'-0"	0.125W-4.00x2.40	SHOE

U.M.C.
POLE GA. DIA. & LGTH.
ARM GA. DIA. & LGTH.
SS K.S.I.
YEAR OF MFG.

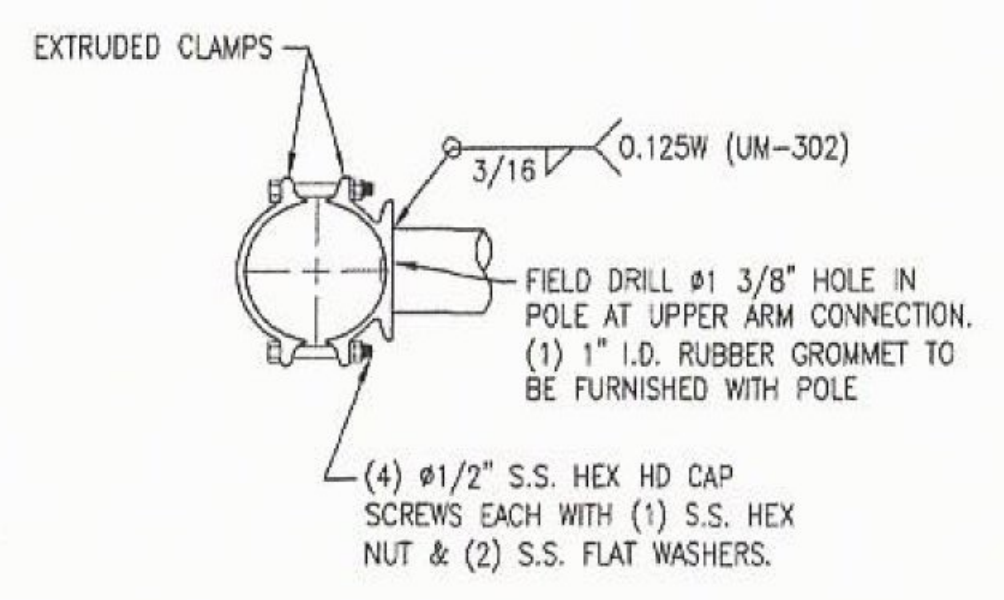
ID TAG DETAIL



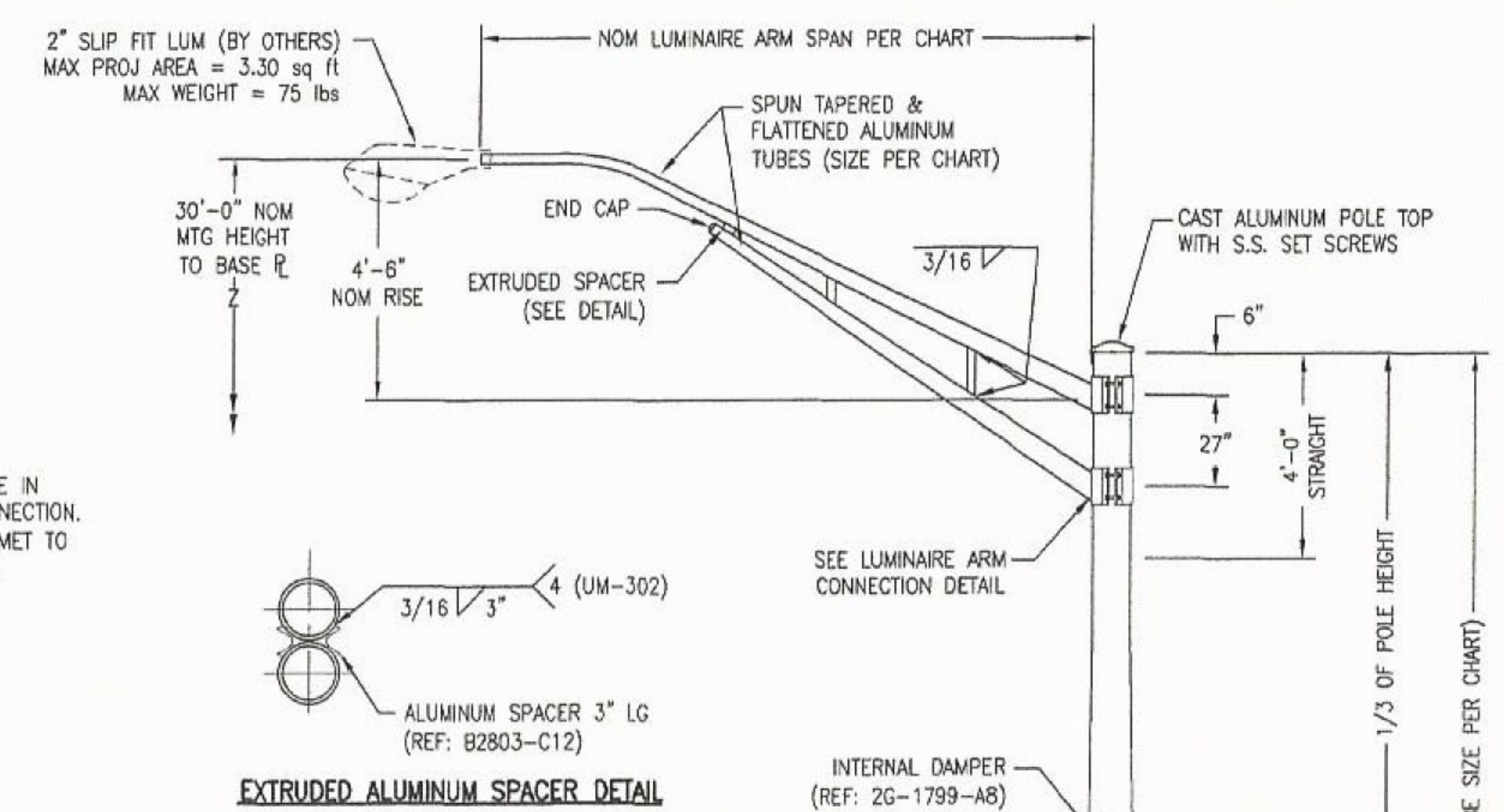
4"x8" HANDHOLE FRAME DETAIL

DESIGN CRITERIA:

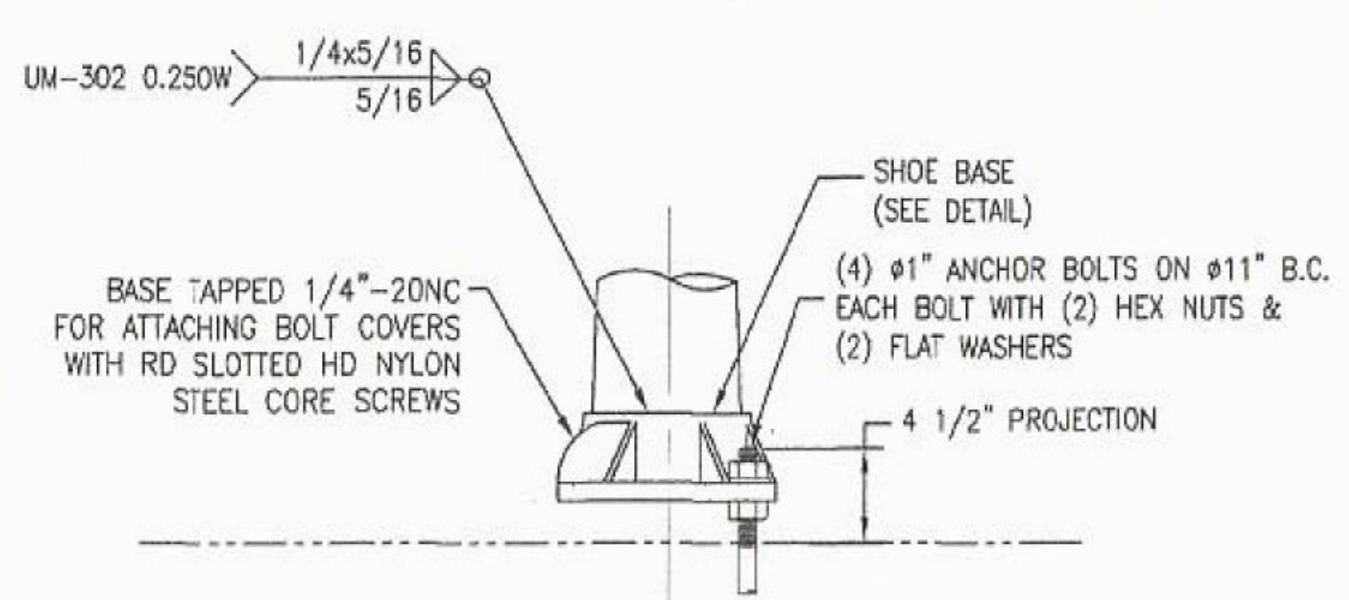
1. DESIGNED IN ACCORDANCE WITH 2013 AASHTO "STANDARD SPECIFICATIONS FOR STRUCTURAL SUPPORTS FOR HIGHWAY SIGNS, LUMINAIRES, AND TRAFFIC SIGNALS" FOR 100 MPH WIND ZONE.
2. ANCHOR BOLTS ANALYZED FOR STEEL STRENGTH ONLY. THE ANCHOR BOLT EMBEDMENT LENGTH SHOWN ON THIS DRAWING SHALL BE VERIFIED BY THE FOUNDATION ENGINEER.
3. WELDED ASSEMBLIES HEAT TREATED TO T6 TEMPER.
4. CUSTOMER TO CONFIRM ALL DIMENSIONS & ORIENTATIONS BEFORE RELEASING ORDER FOR MANUFACTURING.



LUMINAIRE ARM CONNECTION DETAIL



EXTRUDED ALUMINUM SPACER DETAIL



SHOE BASE DETAIL (8-1992)

MATERIAL SPECIFICATIONS	
TAPERED TUBE	ASTM B210, B221, B241 or B429 (6063-T6)
TRUSS ARM TUBES	ASTM 6063-T6
CAST HANDHOLE FRAME	ASTM B108 (356-T6)
HANDHOLE COVER	ASTM B209 (3003)
ANCHOR BOLTS	ASTM F1554 GR 55
ANCHOR BOLT NUTS	ASTM A563 GR A
FLAT WASHERS	ASTM F436
BOLT COVERS	ASTM B26 (319F or 356F)
SHOE BASE	ASTM B108 (356.0 T6)
EXTRUSIONS	ASTM B308 (6061 or 6063-T6)
POLE TOP	ASTM B26 (356.0F)
S.S. HARDWARE	AISI-300 SERIES (18-8)
STRUCTURE FINISH	POWDER COAT # 27038 SEMI GLOSS BLACK.
HARDWARE FINISH	HD GALV TO ASTM A153



STATE: VT	REQ / SO# : DVT-0608A-1	REV	DESCRIPTION	DATE	REV BY / CHK BY
PROJECT NAME: TOWN OF LUDLOW, HES SGNL(44) / RT 103			REVISIONS		
ROUND ALUMINUM LIGHTING POLES WINDSOR COUNTY, VERMONT					
DESIGNED BY	CHECKED BY	DATE	SCALE	ENG REF	
JEF	SAF	6/20/17	NTS	756-SERIES	
756-B147			REVISION	SHEET	
			RO	1 OF 1	



This document and the contents herein are proprietary and the property of Union Metal Corporation. This document is not to be copied, reproduced, or used for any reason except for the purposes which it was issued without the express written consent of Union Metal Corporation. Furthermore Union Metal Corporation reserves the right to recall this document and all copies at any time for any reason.