

**MATERIAL TOLERANCES**

PAVEMENT (TOTAL DEPTH ALL LAYERS)	+/- 1/4"
BASE COURSE	+/- 1/2"
SUBBASE	+/- 1"
SAND	+/- 1"

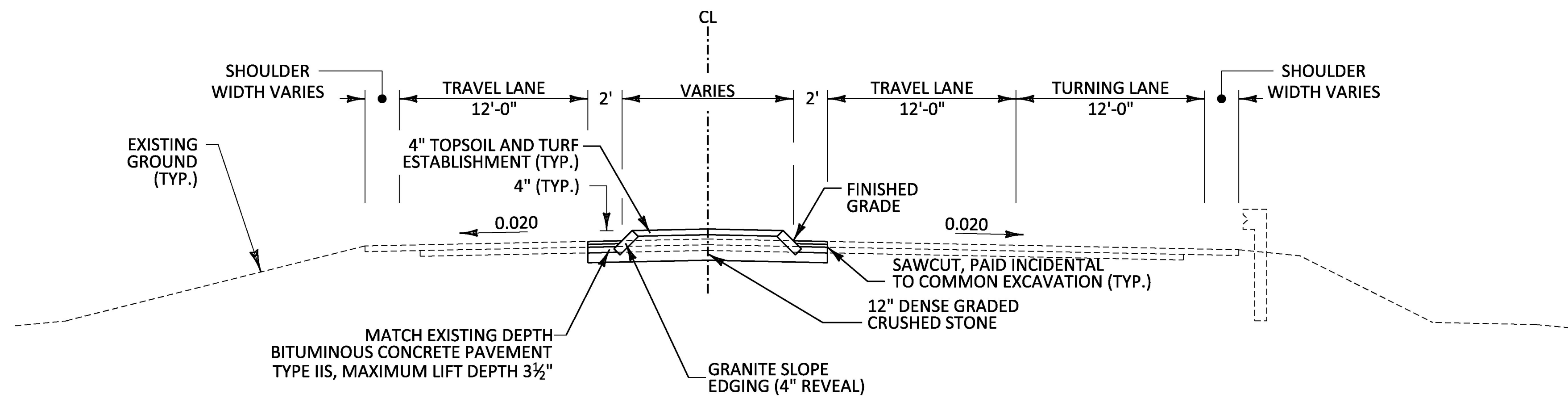
# TYPICAL SECTIONS

**SEEDING FORMULA**

- SEE EPSC DETAIL SHEET 2 TYPICAL FOR THE SEEDING FORMULA.

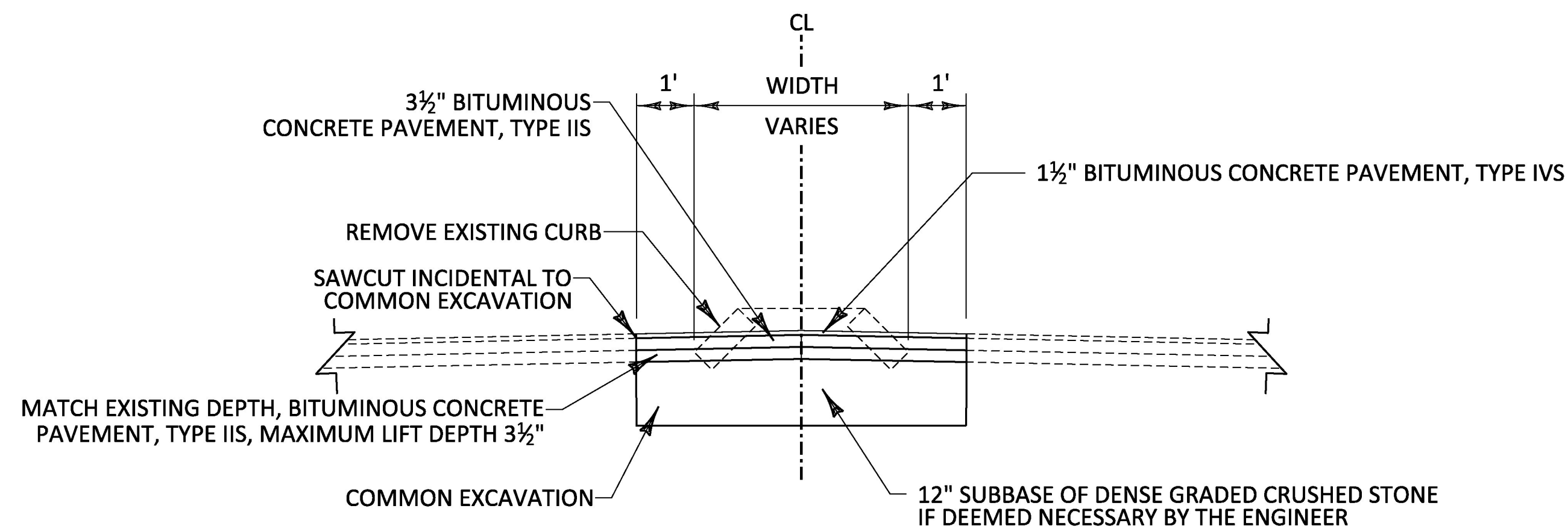
**GENERAL NOTES**

- TACK COAT: EMULSIFIED ASPHALT IS TO BE APPLIED AT THE RATE OF 0.025 GAL/SY BETWEEN SUCCESSIVE COURSES OF PAVEMENT AND 0.080 GAL/SY ON COLD PLANED SURFACES, OR AS DIRECTED BY THE ENGINEER.
- SLOPED GRANITE CURB TO BE INSTALLED WITH A 4 INCH REVEAL. WHERE CURB IS TO TIE INTO EXISTING CURB, MATCH THE EXISTING REVEAL.



**VT ROUTE 103 - GRANITE SLOPE EDGE INSTALLATION**

STA. 212+28.69, RT 6.57' - STA. 213+65.96, RT 6.58'  
 STA. 213+65.96, RT 6.58' - STA. 213+66.25, LT 8.92'  
 STA. 212+62.41, LT 8.72' - STA. 213+66.25, LT 8.92'



**CURB REMOVAL DETAIL**

STA 213+65.96, RT 6.58' - STA. 214+17.60, RT 3.40'  
 STA 213+66.25, LT 8.92' - STA. 214+17.60, RT 3.40'

NOTE: REMOVAL OF EXISTING GRANITE CURB AT ROADWAY WIDENING TO BE PAID UNDER ITEM 203.15 COMMON EXCAVATION

PROJECT NAME: LUDLOW  
 PROJECT NUMBER: HES SGNL(44)

FILE NAME: t13b020\_typ.dgn  
 PROJECT LEADER: P. COBURN  
 DESIGNED BY: M. BOGACZYK  
 TYPICAL SECTIONS SHEET 1

PLOT DATE: 4/19/2017  
 DRAWN BY: M. BOGACZYK  
 CHECKED BY: P. COBURN  
 SHEET 4 OF 43

**NOT TO SCALE**