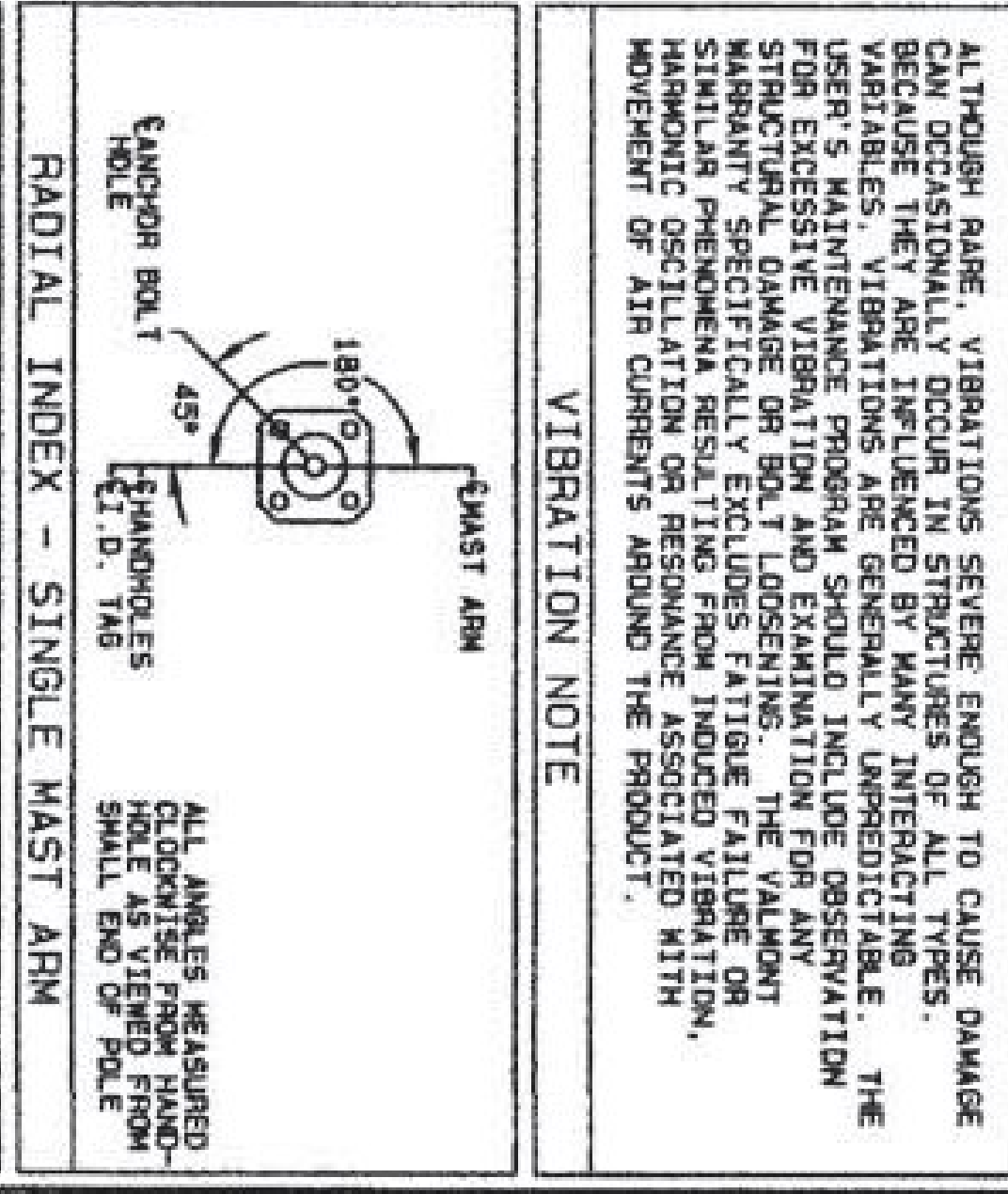
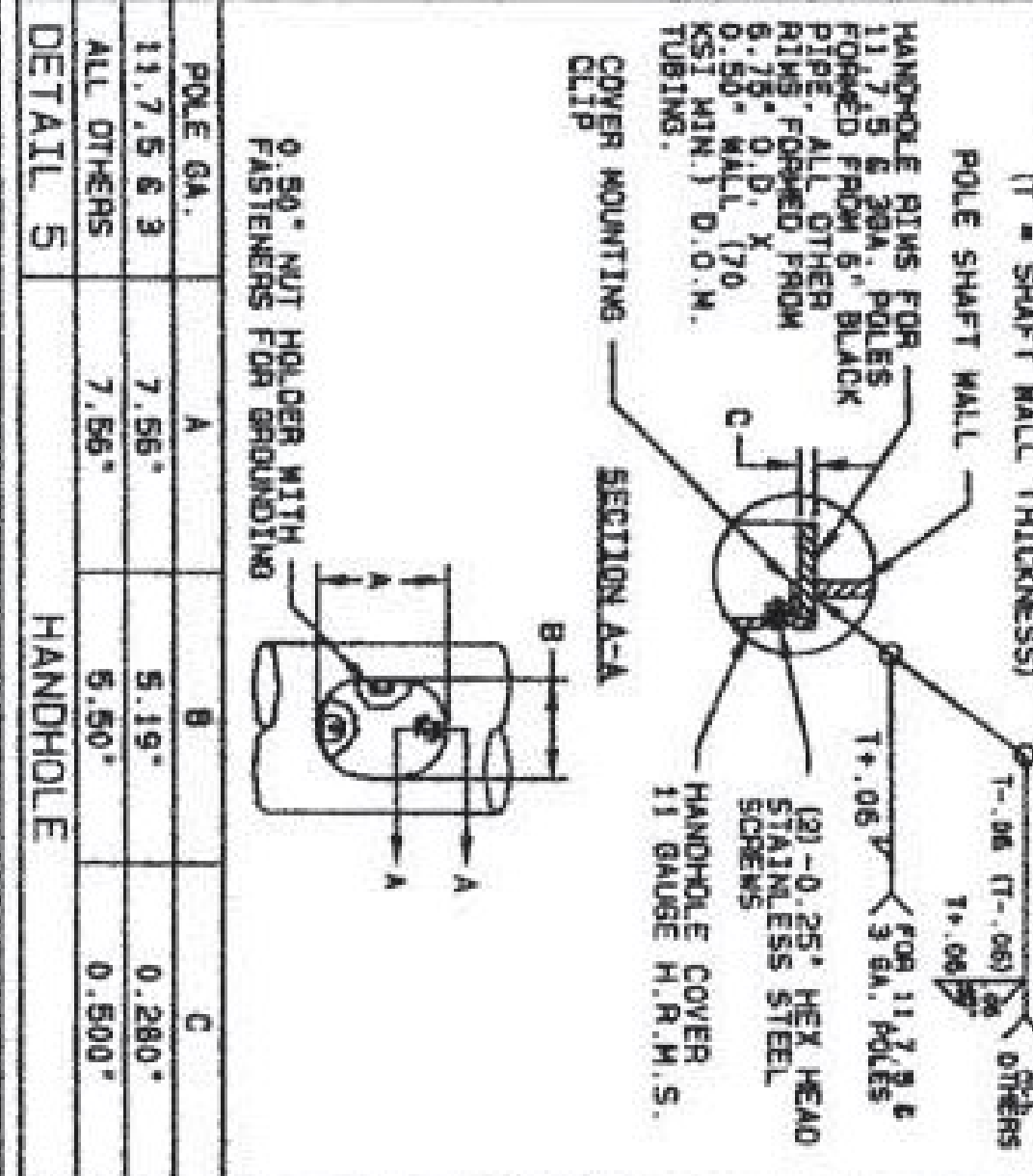
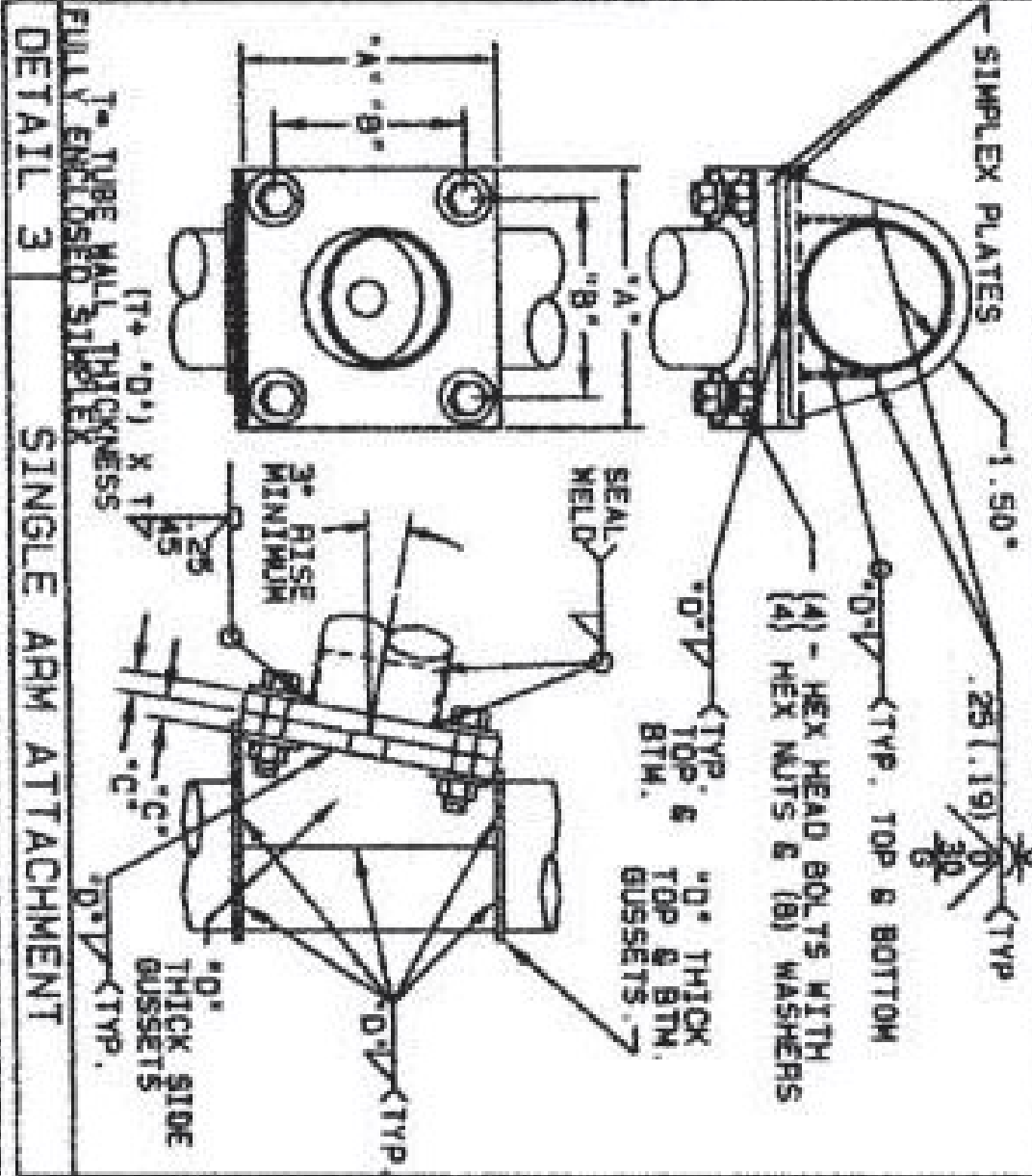
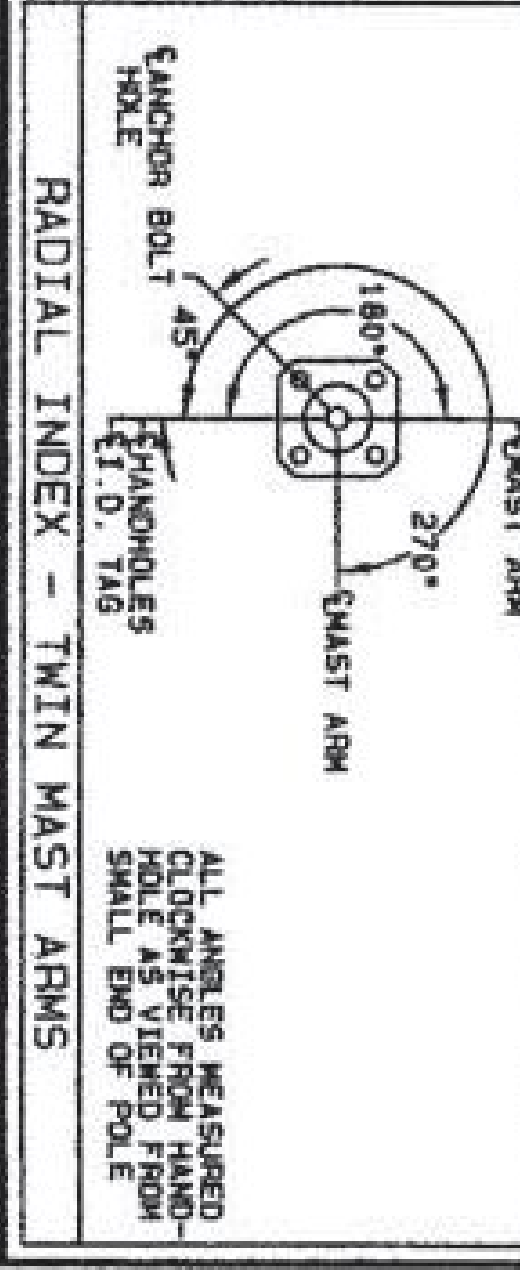


COMPONENT	ASTM DESIGNATION (KSI)	MIN. YIELD
1- STRUCTURE	A153	
2- HARDWARE	A153	



POLE BASE	A	B	C	D	SCREEN SIZE
SER. OR DBL.	17.75"	14.50"	1.500"	0.313"	1.25" X 5.00"
	17.75"	14.50"	1.500"	0.250"	1.25" X 3.50"

POLE GA.	A	B	C
11.75 & 3	7.56"	5.19"	0.260"
ALL OTHERS	7.56"	5.50"	0.500"



ORDER NUMBER: 235821-P1  
 DRAWING NUMBER: 1 OF 2  
 DATE: 11/11/11  
 PROJECT: VT D.O.T. - WATERBURY  
 PROJ. NO. - NHG SGNL (43)  
 TITLE: TRAFFIC SIGNAL STRUCTURES  
 CLIENT: VALMONT INDUSTRIES, INC., RESEARCH ENGINEERS  
 43116V, NE 58064  
 (402) 399-2201

15 2014